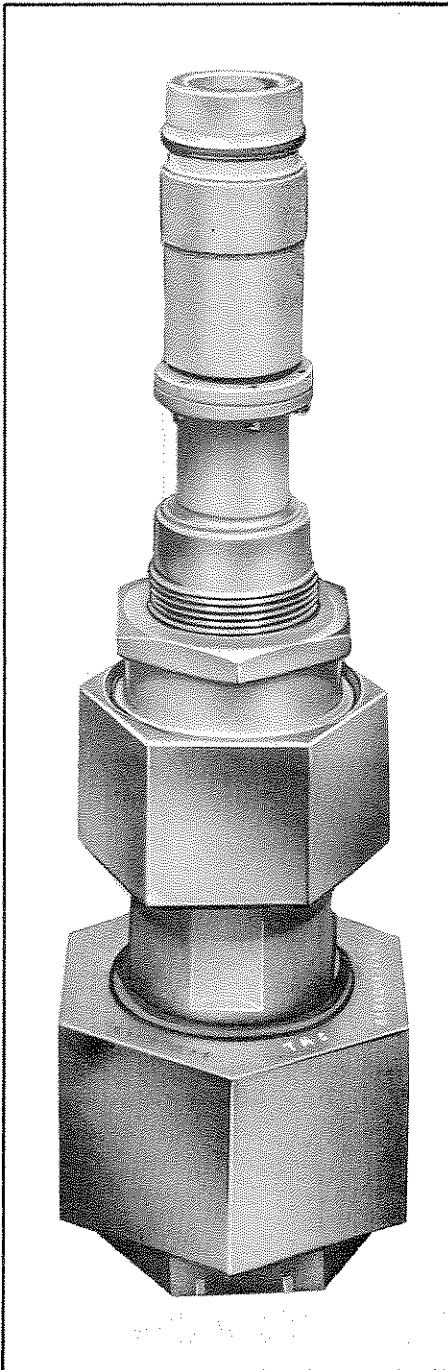


SALES SERVICE BULLETIN NUMBER 191

Connector Receptacle, Model TCA 85/35 QDL



The TMC Connector Receptacle, Model TCA 85/35 QDL was designed for use in communications transmission line systems where a requirement exists for terminating RG-35/U cable, making use of the new quick-disconnect Series QDL coaxial fittings.

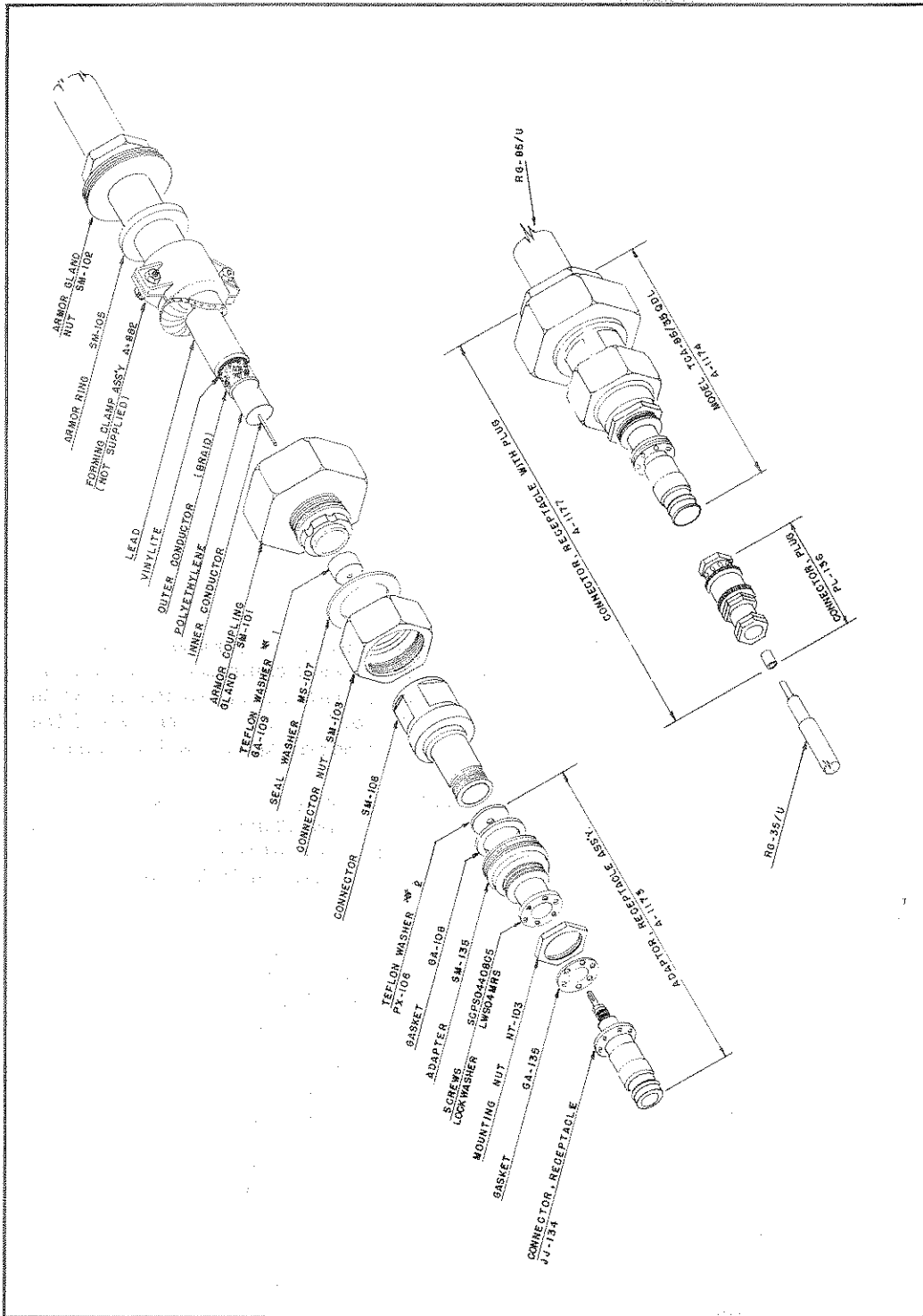
The QDL series was designed to replace the LC series of connectors, and therefore may be used both on receiving and transmitting systems where the peak power does not exceed 10,000 volts.

The illustration at left shows the complete unit, which is available in separate parts to suit particular field requirements. The assembly consists of three main sections as follows:

ES-85/U	End Seal, less cap and nut
SM-135	Adapter body
JJ-134	Connector Receptacle, QDL

Also available is the complete assembly, A-1177, which includes the mating QDL plug, TMC Part PL-136.

Illustrated on the rear of this bulletin in isometric view is the complete assembly depicting all of the component parts and method of assembly. Any of these parts may be purchased separately for those activities interested in retaining use of end seals already installed.



Isometric View, Connector Receptacle, Model TCA85/35QDL

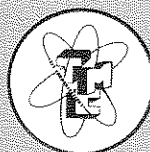
COPYRIGHT, 1956
THE TECHNICAL MATERIEL CORP.

THE TECHNICAL MATERIEL CORPORATION

700 FENIMORE ROAD

MAMARONECK, NEW YORK

CABLE
TEPEI
MAMARONECK, N.Y.



COMMUNICATION ENGINEERS

IN CANADA:
TMC (CANADA) LTD.
OTTAWA, ONTARIO