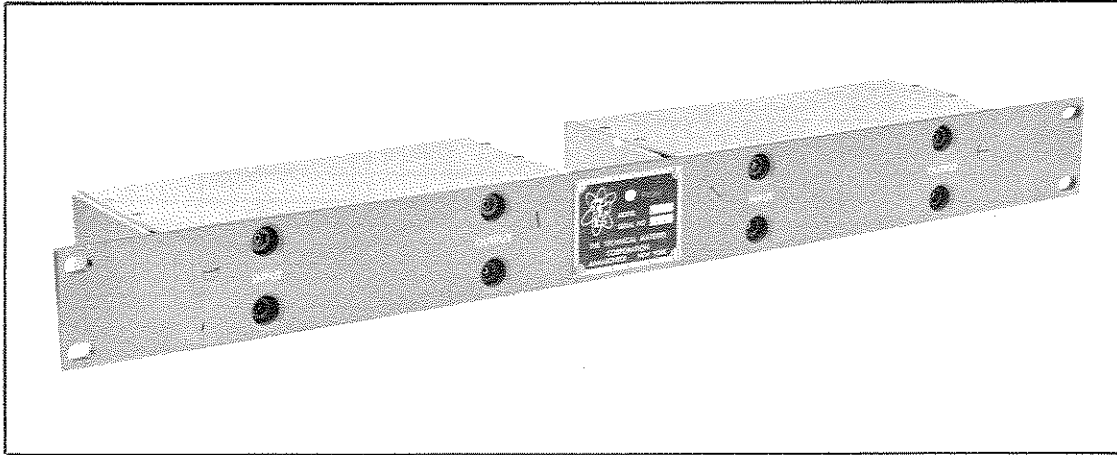


## SALES SERVICE BULLETIN NUMBER 216

### Passive Volume Compressor, Model PVC



Model PVC-2

PH-701

The TMC Model PVC, Passive Volume Compressor is a compact, versatile audio power limiting device which requires no power supply for operation. Installed between a receiver or other audio source and a speaker, headset, telephone line, etc., it will hold its output audio level constant within 3 dbm for an input range of 2 to 70 volts (better than 30 dbm excursion). See graphs on last page for full performance range.

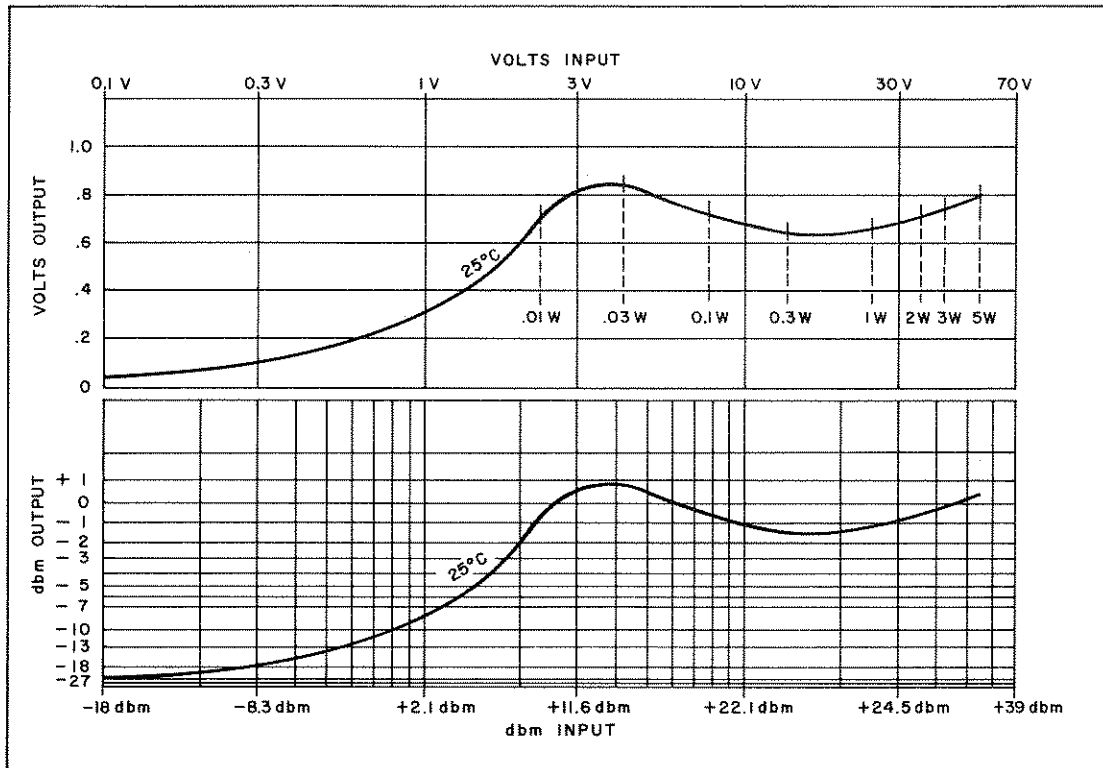
The Model PVC functions without connection to the internal circuits of the receiver or amplifier input. Two wires are simply connected from a 600 ohm audio source to the PVC input terminals, and two more wires from the PVC output terminals to some 600 ohm termination of the associated equipment.

The basic unit, Model A-1532/PVC is available as an accessory item for installation on equipment such as the TMC Model FFR, Communications Receiver. Compact size, 1-11/16" high x 3-14/16" deep x 7 1/4" wide, and ability to operate in any position make it possible for the unit to be added to many equipments. One or two such units are mounted on 1-3/4" x 19" relay rack panels, and designated PVC-1, PVC-2.

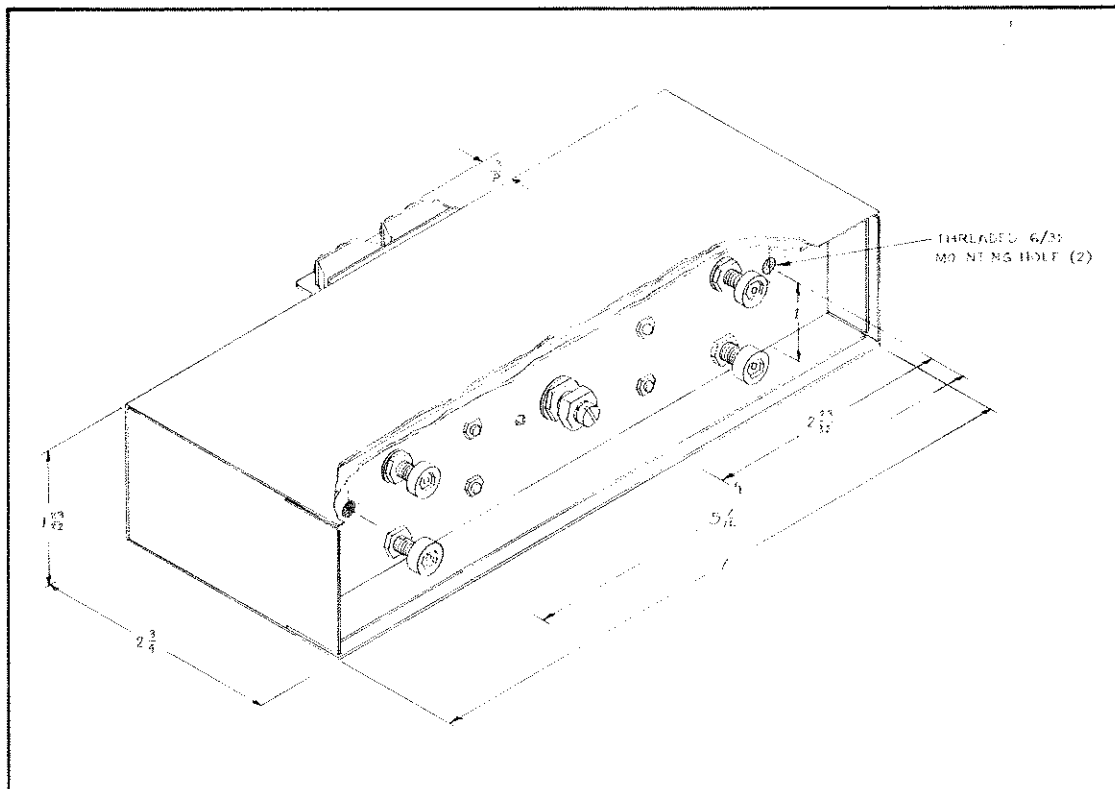
Useful applications for the Model PVC are found in relay, intercom, control tower, and other communication monitoring facilities.

#### TECHNICAL SPECIFICATIONS:

INPUT IMPEDANCE:	600 ohms balanced
OUTPUT IMPEDANCE:	600 ohms balanced
OPERATING RANGE:	INPUT: -18 to +37 dbm OUTPUT: -27 to +1.0 dbm
KEYING SPEED:	Up to 1000 words per minute or 800 Bauds.
BANDWIDTH:	20 to 5000 cps, essentially flat response



Performance Characteristics Models PVC



Dimensional Outline Model A-1532/PVC

**DISTORTION:**

Intermodulation -43 db

2nd harmonic negligible

**RISE AND DECAY TIME:** 75 microseconds

**ATTACK TIME:** 0.5 sec max. to operating level after first syllable

**TERMINALS:** Jack, pin (front)  
Terminal strip (rear)

**MOUNTING:** See Illustration

**WEIGHT:**

A-1532/PVC 1 1/2 pounds

PVC-1 2 pounds

PVC-2 3 1/2 pounds

**DIMENSIONS:**

A-1532/PVC 1-11/16 x 7 1/4 x 3-1/4 inches

PVC-1 and PVC-2 1-3/4 x 19 x 3-1/2 inches overall

**COMPONENTS AND CONSTRUCTION:** Manufactured in accordance with JAN/MIL specification wherever practicable.

**ORDERING INFORMATION:**

**TMC DESIGNATION:**

**DESCRIPTION:**

A-1532/PVC

Basic unit as described above

PVC-1

One A-1532/PVC mounted on 1-3/4 x 19 inch relay rack panel

PVC-2

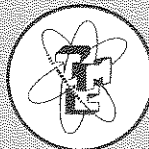
Two A-1532/PVC mounted on 1-3/4 x 19 inch relay rack panel

# THE TECHNICAL MATERIEL CORPORATION

700 FENIMORE ROAD

MAMARONECK, NEW YORK

CABLE  
TEPEI  
MAMARONECK, N.Y.



COMMUNICATION ENGINEERS

IN CANADA:  
TMC (CANADA) LTD.  
OTTAWA, ONTARIO