

Model BJP-2

The TMC series BJP, Bridging Jack Panels, serve as convenient junctions where multiple connections are to be made from QDS to UHF or BNC type connectors. Currently available panel configurations are listed below and illustrated on the reverse side.

Model BJP-1 consists of 11 ea. triple sections QDS female to UHF female.

Model BJP-2 consists of 11 ea. dual sections QDS female to UHF female.

Model BJP-3 consists of 11 ea. dual sections QDS female to BNC female.

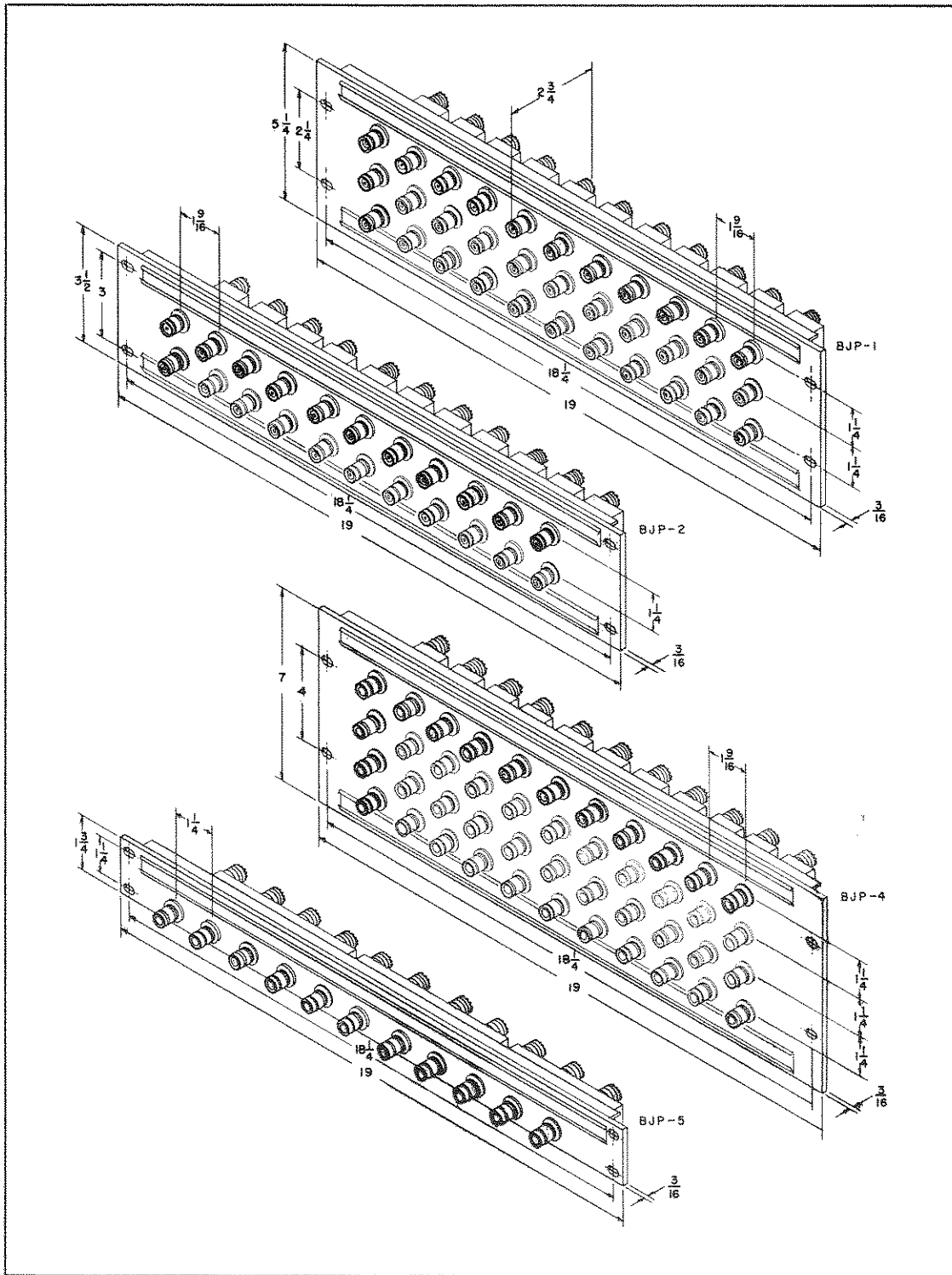
Model BJP-4 consists of 11 ea. quadruple sections QDS female to UHF female.

Model BJP-5 consists of 2 ea. quadruple sections QDS female to UHF female.  
1 ea. triple section

Mating plugs, or patching cables made to customer specified length are available. See Sales Service Bulletin No. 222.

Other panel configurations can be made to customer specifications and we invite your inquiries.

Weight: Approx. 15 pounds per unit.



Dimensional Data, Models BJP

COPYRIGHT 1958  
THE TECHNICAL MATERIEL CORP.

THE TECHNICAL MATERIEL CORPORATION

700 FENIMORE ROAD

MAMARONECK, NEW YORK

CABLE  
TEPEI  
MAMARONECK, N.Y.



COMMUNICATION ENGINEERS

IN CANADA:  
TMC (CANADA) LTD.  
OTTAWA, ONTARIO