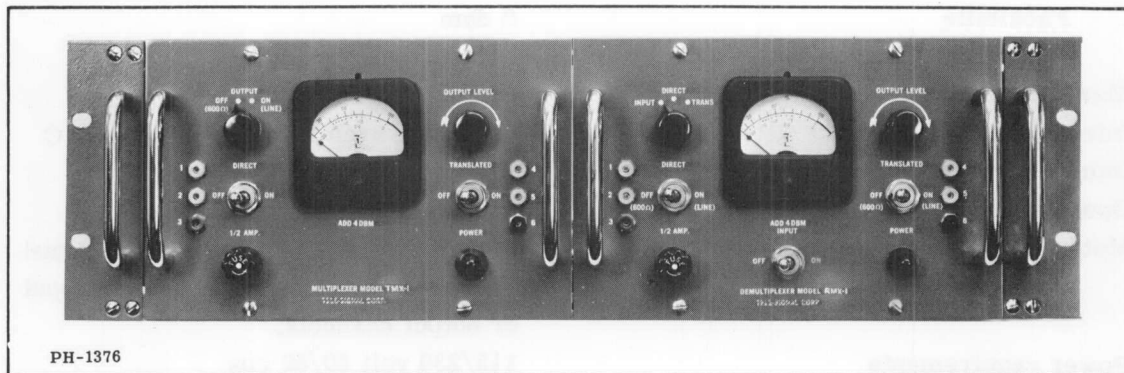


TMC Models TMX-1 and RMX-1
Voice Frequency Multiplexer
and Demultiplexer
TD-410/UGC - TD-411/UGC



The TMC Model TMX-1 (TD-410/UGC) and TMC Model RMX-1 (TD-411/UGC) are fully transistorized voice frequency multiplexers and demultiplexers that will provide 2 discrete 375 to 3025 cps channels within a 6 Kc passband of a sideband transmission system, or other suitable medium.

When used in an SSB transmission system where 6 Kc bandpass is available, it is possible to provide any combination of two of the following types of modulation:

- a. Up to 22 teletypewriter channels,
- b. Voice transmission,
- c. Data transmission,
- d. Facsimile transmission or
- e. Any other type of modulation that can be contained within 375 to 3025 cps.

It is possible to provide combinations of any four of the above services by using two multiplexers and demultiplexers where 12 Kc bandpass is available for independent sideband transmission.

Metering of individual and combined signals is accomplished by a front panel meter and selector switch. All operating adjustments and controls are accessible on the front panel.

TECHNICAL SPECIFICATIONS PECULIAR TO TMX-1

Number of Inputs	Two
Bandwidth input, each	375 to 3025 cps
Input impedance, each circuit	600 ohm balanced
Output circuit, number	One
Output bandwidth	375 to 5915 cps
Output impedance	600 ohm balanced

TECHNICAL SPECIFICATIONS PECULIAR TO RMX-1

Number of inputs	One
Band width, input	375 to 5915
Input impedance	600 ohm balanced
Output circuit, Number	Two
Output band width, each	375 to 3025 cps
Output impedance, each	600 ohm balanced

TECHNICAL SPECIFICATIONS COMMON TO TMX-1 and RMX-1

Input level

Telephone	-15 dbm to +4 dbm
Facsimile	-15 dbm to +4 dbm
Telegraph (16 channel)	-25 dbm to +4 dbm aggregate tones

Normal output level

Telephone	-4 dbm
Facsimile	0 dbm
Telegraph (16 channel system)	-10 dbm per channel

Maximum output level (single frequency) +16 dbm

Internal carrier stability approx. 1 cycle per MC per degree C

Internal carrier accuracy within 0.1 cps at 6290 cps

Operating temperature 25° C ± 25° C

Metering Individually meterable by front panel VU-Meter switchable to either input or output channels.

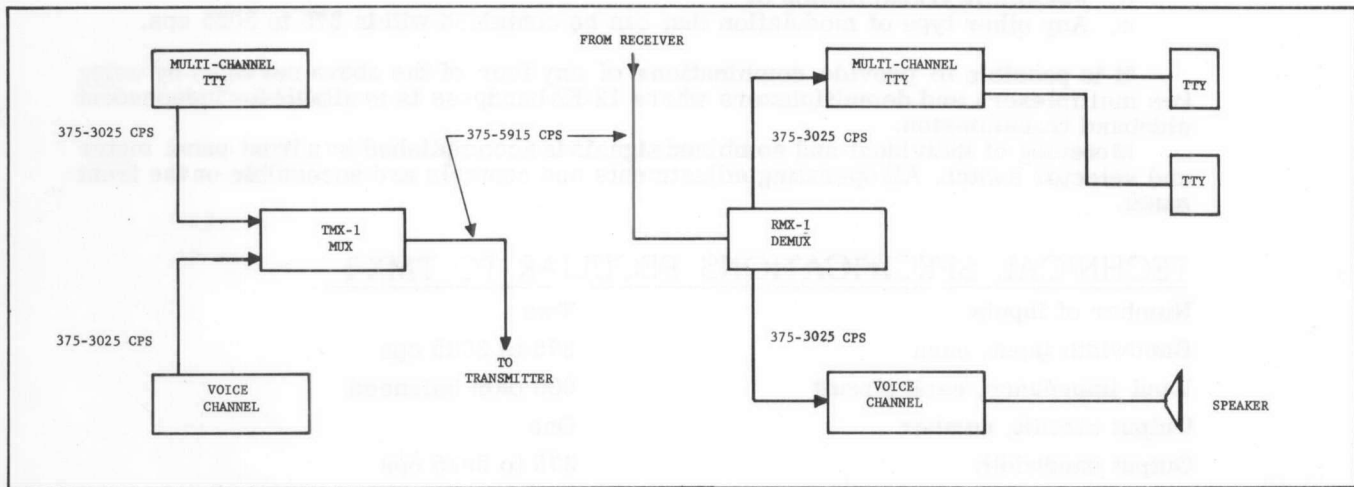
Power requirements 115/230 volt 50/60 cps

Power consumption 4 Watts approximately

Physical dimension 5 1/4" high x 8" wide x 11 1/2" deep.

Mounting provision Direct plug-in to a TMC Model 539 Equipment Shelf (two units or one unit and blank panels per 5 1/4" shelf).

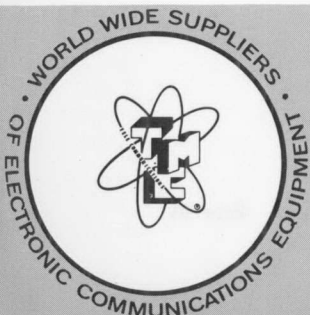
Weight 10 lbs. approximately



Designed and manufactured for the
 Technical Materiel Corporation by the Tele-Signal Corporation

The TECHNICAL MATERIEL CORPORATION

700 FENIMORE ROAD MAMARONECK, NEW YORK



CABLE
 TEPEI
 MAMARONECK, N.Y.

and Subsidiaries TMC (Canada) Ltd. Ottawa, Canada
 TMC Industrial Corp. Mamaroneck, N. Y.
 TMC Systems, Inc., Alexandria, Va.
 TMC Systems, (Texas), Inc., Garland, Texas