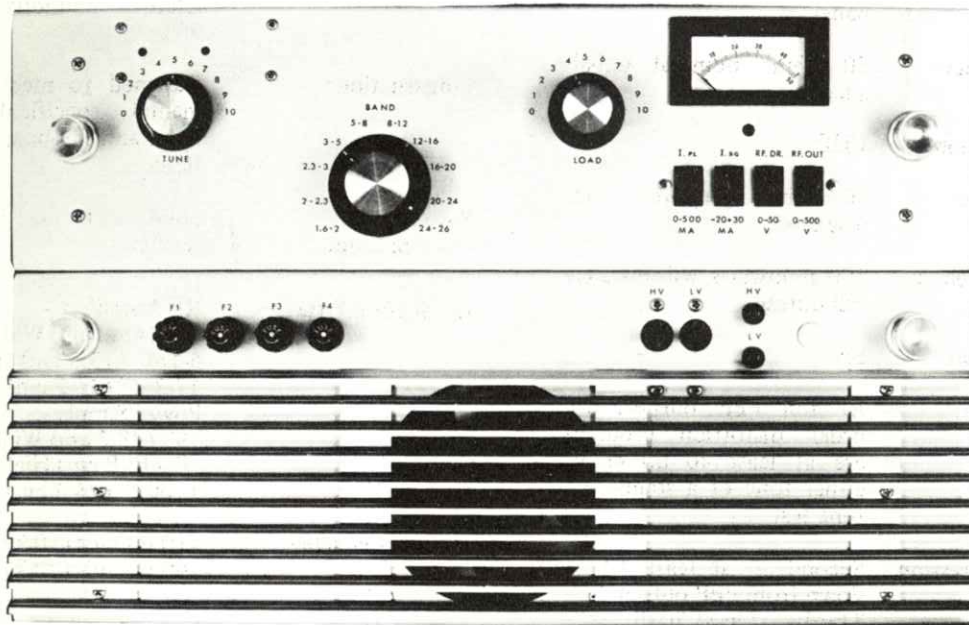


Linear Power Amplifier TMC model LPA-400M



TMC
Technical
Bulletin

102036-4



Features

- 400 Watts PEP Output
- 100 Milliwatts Drive
- Indicator for LPA Tuning, showing "Above", "Resonance" or "Below"
- Modular Construction for Ease of Maintenance
- 1.6 to 26 MHz
- Solid State Broadband Driver Module

The LPA-400M is a new model to meet the demand for a modern, 400 Watt Linear Amplifier that meets international regulations for low distortion products. Compactness, ease of operation and ease of maintenance are provided without compromise to linearity or power output.

An effective Automatic Load and Drive Control (ALDC) output is provided, for connection to an exciter. Compatible exciters, with the ALDC feature, are available within the TMC product line.

The LPA-400M is designed to meet environmental specifications of fixed and shipboard installations.

Technical Specifications

Frequency Range: 1.6 to 26 MHz continuous; bandswitched.

Output Power: 400 Watts PEP
200 Watts Average (CW, FSK)

Operating Modes: With appropriate exciter; AM, AME, CW, MCW, SSB, ISB, DSB, FSK.

Tuning: All tuning and bandswitching controls on the front panel.

Output Impedance: 50 ohms nominal unbalanced.

Output Connection: UHF.

Input Impedance: 50 ohms nominal unbalanced.

Input Requirements: 100 milliwatts will produce full output.

Input Connection: BNC.

Intermodulation: At full PEP output, 3rd order distortion products are at least 40 db below either tone of a standard 2 tone test.

Harmonic Suppression: Second – at least 40 db down from PEP output.
Third – at least 50 db down from PEP output.

ALDC: An Automatic Load and Drive Control output of approximately 0 to -11 volts DC is provided for the ALDC circuit of an exciter.

Primary Power Requirements: 115/230 volts \pm 10%, 48/63 Hz, single phase, 1000 Watts under conditions of 400 Watts PEP output.

Safety: Full interlock and overload protection.

Cooling: Filtered, forced air system.

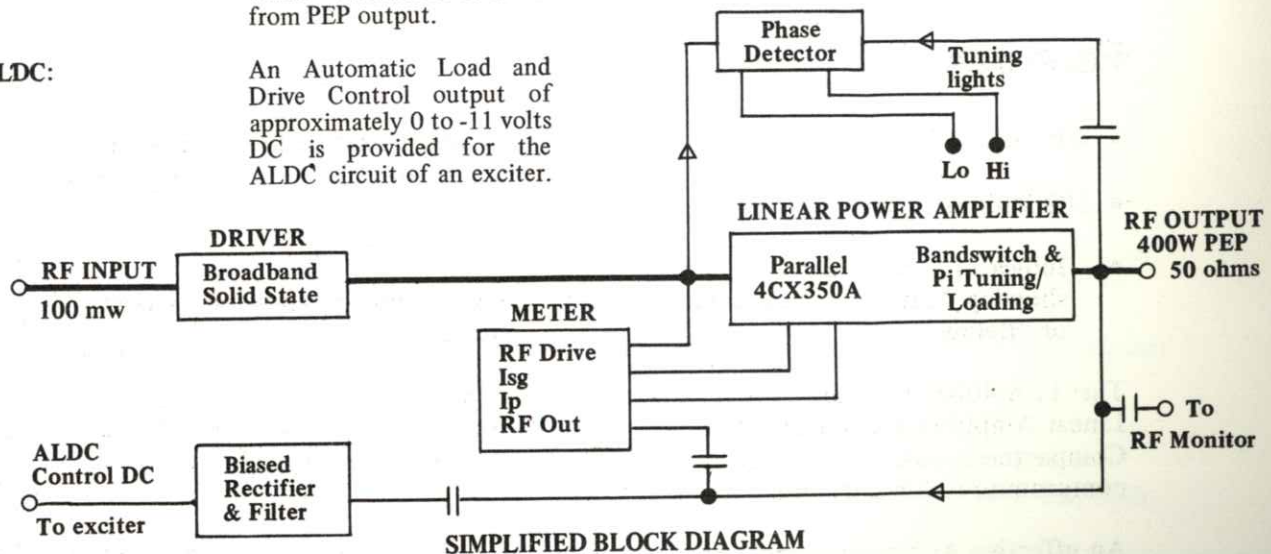
Temperature Humidity: Any ambient temperature between -15 degrees and 50 degrees C, for any value of relative humidity up to 95%.

Construction: Designed to meet environmental specifications of fixed and shipboard installations.

Power Supply Construction: Solid state rectifier and regulators.

Installation Data: RF Amplifier -
19" (48.2 cm) Wide
5-1/4" (13.3 cm) High
17-3/4" (45.2 cm) Deep
Power Supply -
19" (48.2 cm) Wide
7" (18.8 cm) High
17-3/4" (45.2 cm) Deep

Shipping Weight: 110 pounds (50 kg), domestic
160 pounds (72 kg), export ocean



TMC (Canada) Limited

RR NO. 5, OTTAWA, ONTARIO, K1G 3N3 TEL. (613) 822-0244
CABLE: TEPEI - OTTAWA TELEEX: 053-4146

SUBSIDIARY OF THE TECHNICAL MATERIEL CORPORATION
Mamaroneck, New York

