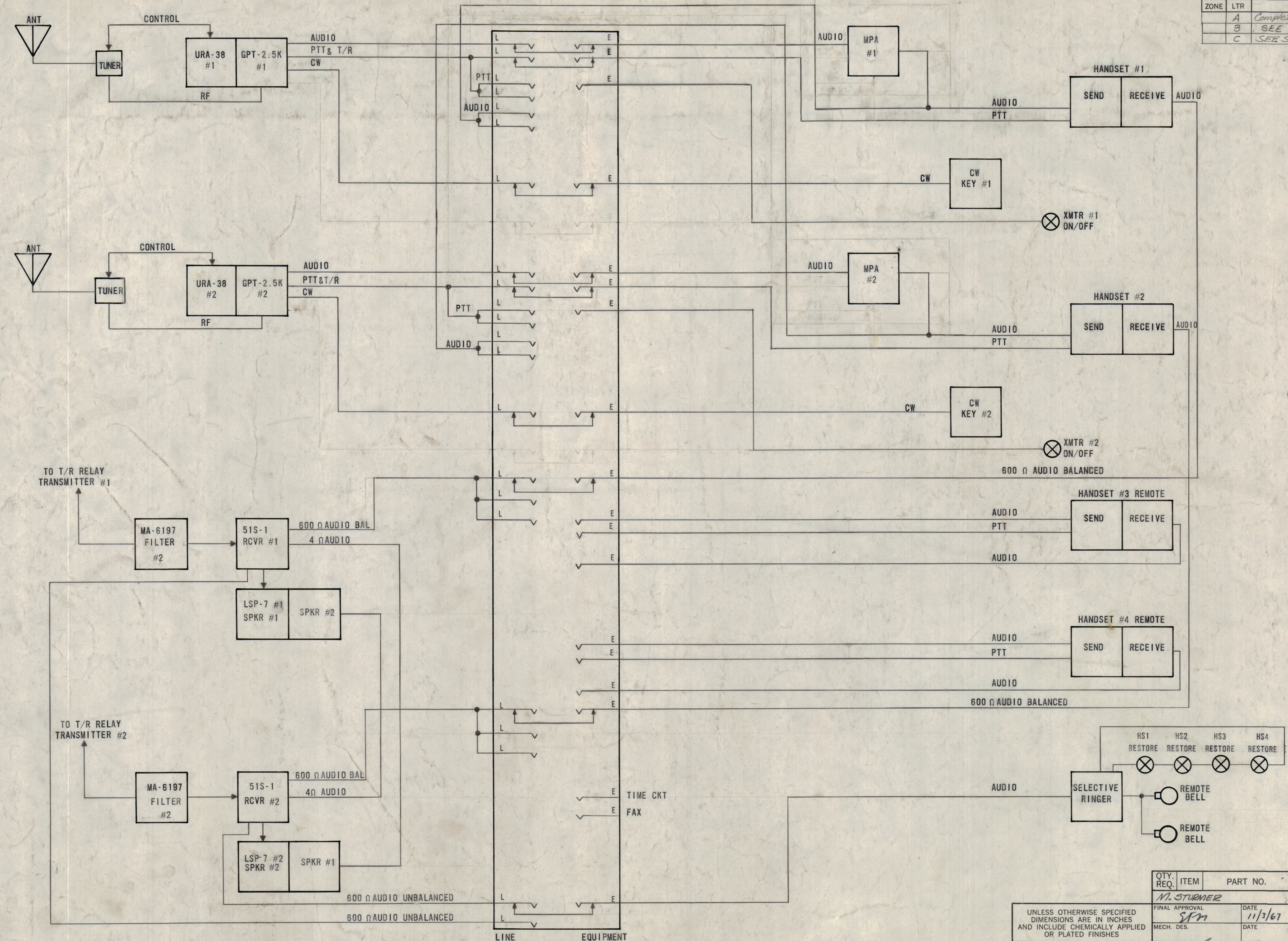


ZONE		LTR		DESCRIPTION	DATE	E.M.N. NO.	DRAFT	CHKD	APPD
A		1		Completely Rev. of Redrawn (See SMT 1 & 2)	10/6/67	18541			
B		2		SEE SHEET 2	2/7/68	18758			EFM
C		3		SEE SHEETS 1 & 2 OF 3	10/8/68	19067			EFM



QTY. REQ.	ITEM	PART NO.	DESCRIPTION	SYMBOL		
	LIST OF MATERIAL					
	<i>M. STUBNER</i>					
	FINAL APPROVAL	DATE	THE TECHNICAL MATERIEL CORP. MAMARONECK, NEW YORK			
	<i>SPM</i>	11/3/67				
	MECH. DES.	DATE				
	ELECT. DES.	DATE	RADIO TELEPHONE AND RADIO TELEGRAPH SYSTEM BLOCK DIAGRAM FOR AVONDALE SHIPYARDS, INC			
	<i>[Signature]</i>	11/1/67				
	CHECKED	DATE				
	DRAWN	DATE				
	<i>H. Austin</i>	10-10-67				
	MATERIAL		SIZE	CODE IDENT. NO.	DWG NO.	ISSUE
	FINISH		D	82679	SYM678368	C
			SCALE			SHEET 3 OF 3

QTY / UNIT	MODEL USED ON	ASS'Y NO.
APPLICATION		
CODE		
NOTICE TO PERSONS RECEIVING THIS DRAWING		
<small>THE TECHNICAL MATERIEL CORPORATION claims proprietary right in the material disclosed herein. This drawing is issued in confidence for engineering information only and may not be reproduced or used to manufacture anything shown hereon without permission from THE TECHNICAL MATERIEL CORPORATION to the user. This drawing is loaned for mutual assistance and is subject to recall at any time.</small>		