

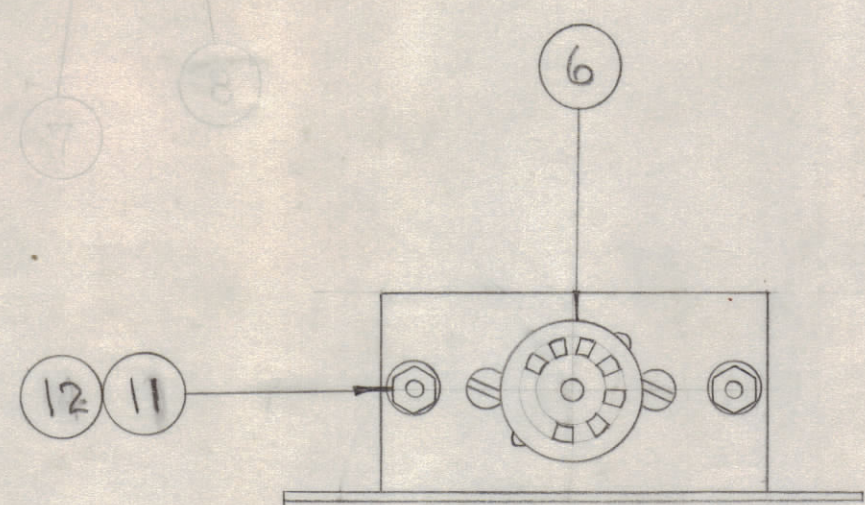
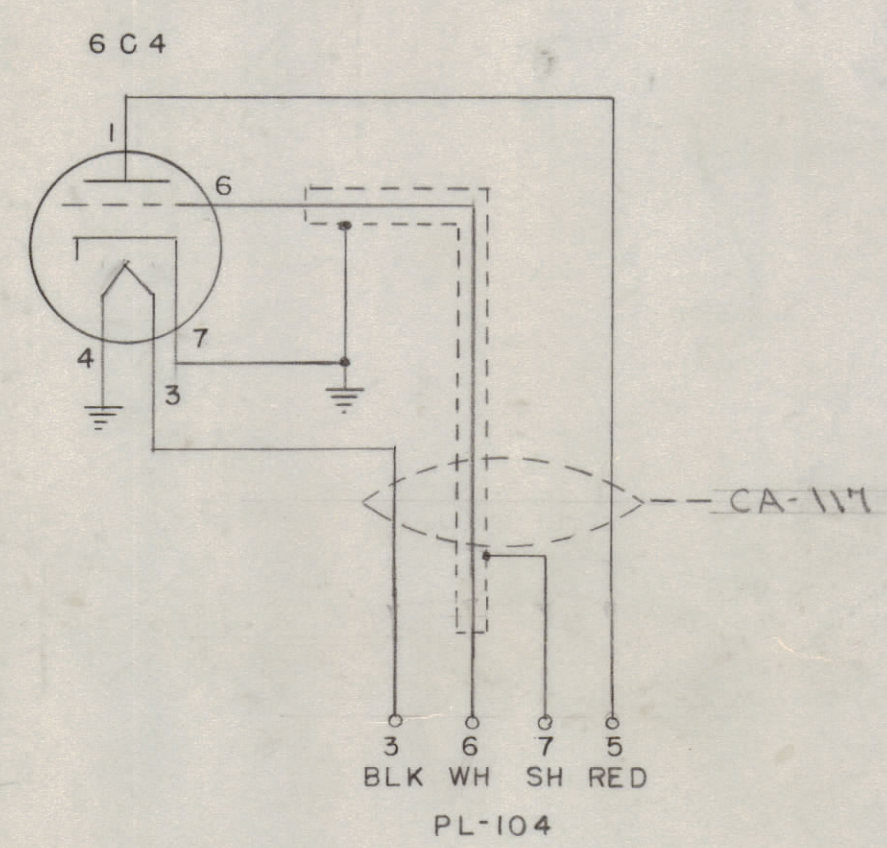
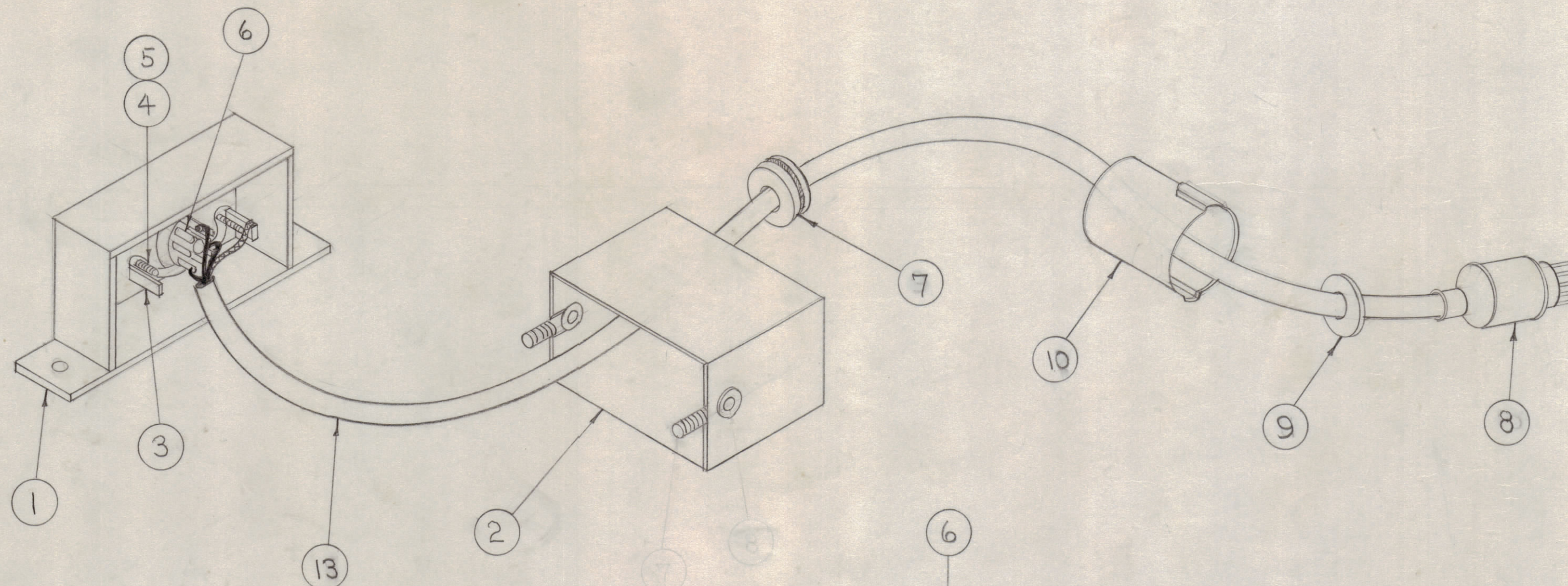
IF IT IS FOUND DESIRABLE TO CHANGE ANY TOLERANCE OR OTHER DETAIL SPECIFIED ON THIS DRAWING NOTIFY THE PURCHASER PROMPTLY.

MAXIMUM ALLOWABLE TOLERANCES HAVE BEEN DETERMINED AND DEVIATIONS WILL BE CAUSE FOR REJECTION. REMOVE ALL BURRS AND SHARP EDGES

NOTICE TO PERSONS RECEIVING THIS DRAWING

THE TECHNICAL MATERIEL CORPORATION claims proprietary right in the material disclosed hereon. This drawing is issued in confidence for engineering information only and may not be reproduced or used to manufacture anything shown hereon without permission from THE TECHNICAL MATERIEL CORPORATION to the user. This drawing is loaned for mutual assistance and is subject to recall at any time.

Property of:
THE TECHNICAL MATERIEL CORPORATION
MAMARONECK, NEW YORK



A-129

REQ.	ITEM	PART NO.	DESCRIPTION	SYMBOL
1	13	CA-117	CABLE HARNESS	
2	12	LW106MRC	LOCKWASHER, INT. TOOTH	
2	11	NTH0632 BNG	NUT, HEXAGON	
1	10	TS-102-U02	SHIELD	
1	9	FW25MRC	WASHER, FLAT	
1	8	PL-104-1	PLUG, MINIATURE, 7 PIN	
1	7	ANS931-6-10	GROMMET, ELASTIC	
1	6	TS-102-P01	SOCKET, 7 PIN	
2	5	LWE04MRC	LOCKWASHER, EXT. TOOTH	
2	4	SCBS0440 BNA	SCREW, MACHINE	
1	3	NT-101-4	NUT, STRAP	
1	2	A-128	SHIELD, SUB ASSY.	
1	1	FP-104	BRACKET, TUBE	

STOCK SIZE	DESCRIPTION	SYMBOL
#	THE TECHNICAL MATERIEL CORP. MAMARONECK, NEW YORK	
#	BFO ADAPTER ASSEMBLY	
MATERIAL	WEIGHT PER PC.	
TYPE & TEMPER	C.D.D. 8-27-52	
DRAWN	ELEC. DES. APP.	MECH. DES. APP.
HEAT TREAT. SPEC.	CHECKED	FINAL APPROVAL
FINISH & SPEC. NO.		A-129

ISSUE	ITEM	CHANGED FROM	DATE	CN. NO.	DRAFTS	CHECKER	ENG. APP.
TOLERANCES		SCALE:					
ALL OTHERS	DEC. DIM. ± FRAC. DIM. ± ANGULAR DIM. ±	DRILL, PUNCH, COMMERCIAL STOCK SIZES AND MANUFACTURERS TOLERANCES ARE NOT INCLUDED.					

MODEL	PROJECT NO.	ASS'Y. NO.	DATE
DMK-4	140	A-256	8-27-52
USED ON			