

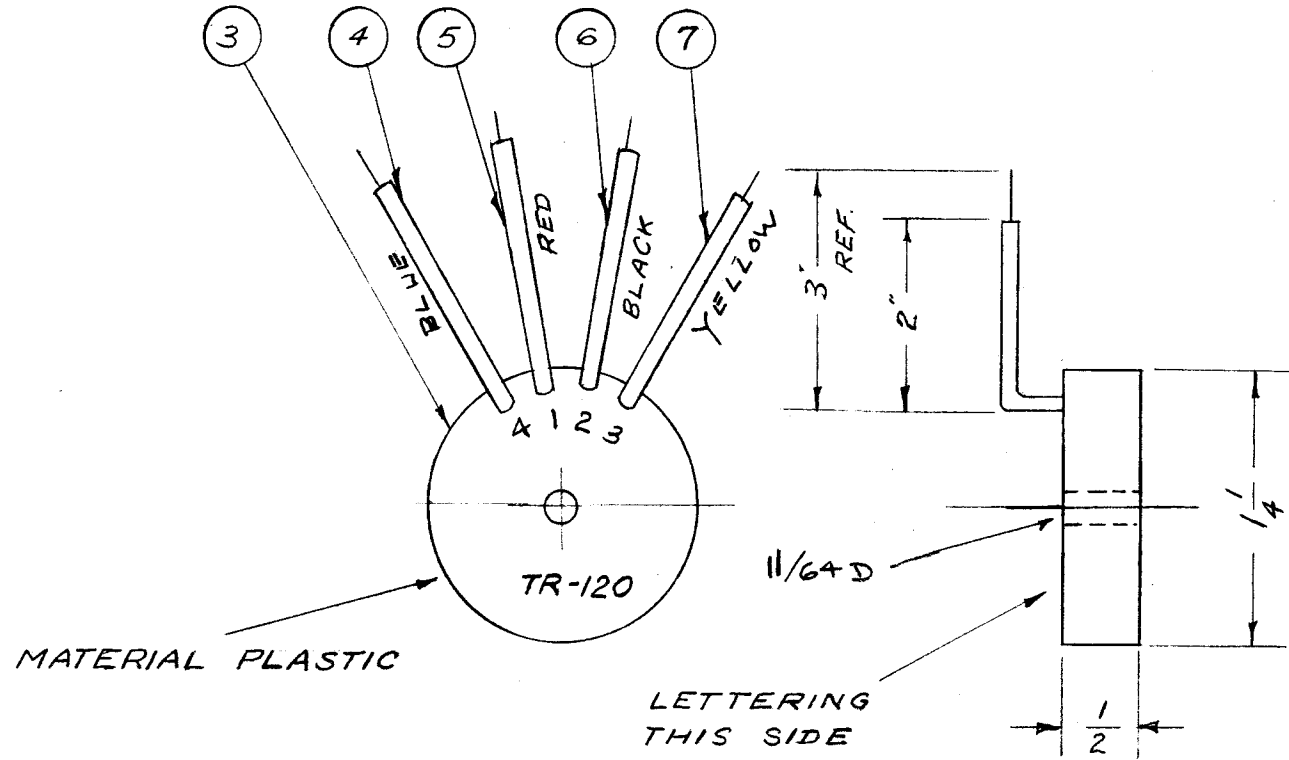
IF IT IS FOUND DESIRABLE TO CHANGE ANY TOLERANCE OR OTHER DETAIL SPECIFIED ON THIS DRAWING NOTIFY THE PURCHASER PROMPTLY.

MAXIMUM ALLOWABLE TOLERANCES HAVE BEEN DETERMINED AND DEVIATIONS WILL BE CAUSE FOR REJECTION. REMOVE ALL BURRS AND SHARP EDGES

A-1046 B

TEST DATA DAC

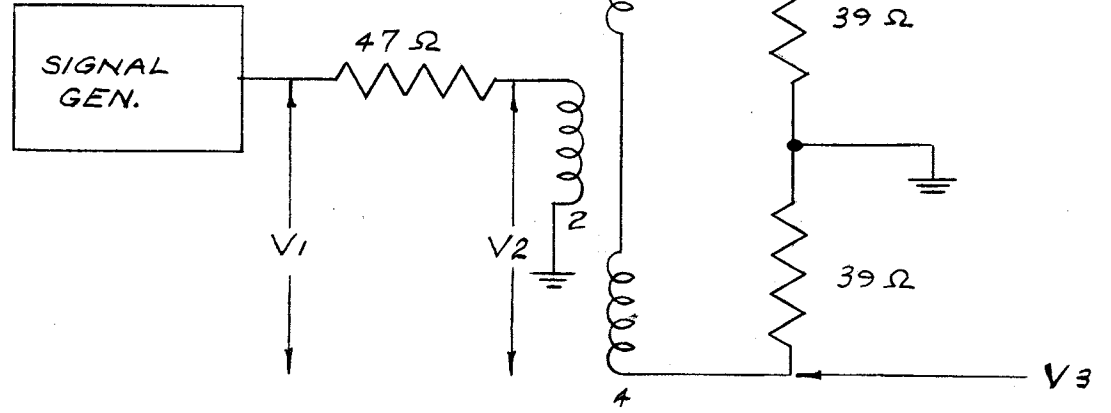
ALL RESISTOR LEADS FOR TEST TO BE KEPT AS SHORT AS POSSIBLE.



VOLTAGES  $\pm 10\%$

fmc	V1	V2	V3	V4
2	1.0	.46	.3	.28
8	1.0	.5	.3	.28
30	1.0	.7	.23	.22

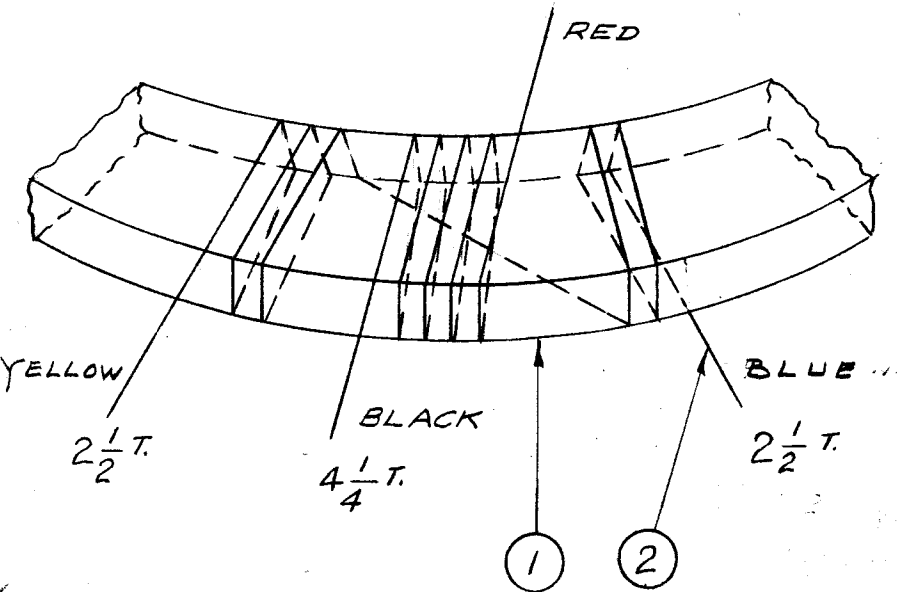
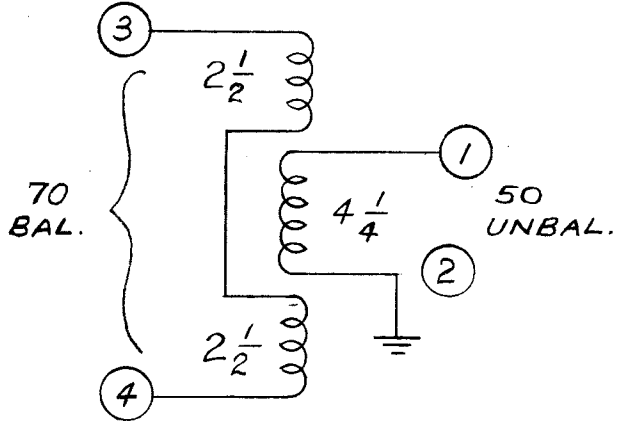
HEWLETT PACKARD VTVM



**NOT TO BE RELEASED W/O AUTHORIZATION**

AUTH. BY.....

DATE:.....



REQ.	ITEM	PART NO.	DESCRIPTION	SYMBOL
2	7	PX-104-2-022	INSULATION, SLEEVING	
2	6	PX-104-1-022		
2	5	PX-104-3-022		
2	4	PX-104-6-022	INSULATION, SLEEVING	
X	3	GL-106	PLASTIC, COMPOUND	
X	2	WT-102-9	WIRE, NO. 30 CEC	
1	1	CI-104	CORE	
			THE TECHNICAL MATERIEL CORP. MAMARONECK, NEW YORK	
			DIPOLE ANT. COUPLER	
STOCK SIZE				
MATERIAL		WEIGHT PER PC.		
TYPE & TEMPER		PB. 6-30-55		
HEAT TREAT. SPEC.		DRAWN: [Signature] ELEC. DES. APP. MECH. DES. APP.		
FINISH & SPEC. NO.		CHECKED: [Signature] FINAL APPROVAL: [Signature]		

ISSUE	ITEM	CHANGED FROM	DATE	CN. NO.	DRAFTS	CHECKER	ENG. APP.
B		1/64 D WAS 3/64;	3-2-67	17870	HLA	[Signature]	[Signature]
A		ADD. TEST NOTE; ADD. VOLT. TOL.	7-13-66	16527	HLA	[Signature]	[Signature]

TOLERANCES		SCALE:	
ALL OTHERS	DEC. DIM. $\pm$ FRAC. DIM. $\pm$ ANGULAR DIM. $\pm$	DRILL, PUNCH, COMMERCIAL STOCK SIZES AND MANUFACTURERS TOLERANCES ARE NOT INCLUDED.	1 DAC-6
			PROJECT NO. ASSY. NO. DATE

USED ON

A-1046 B