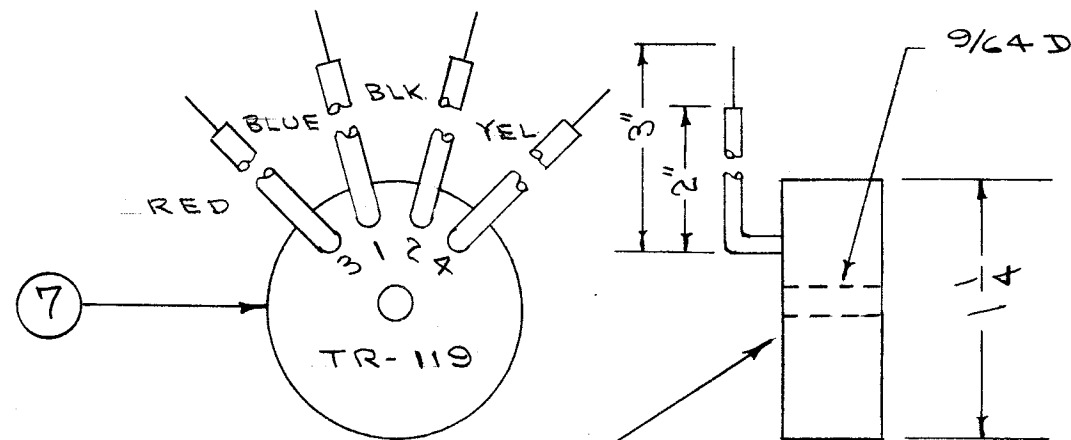


IF IT IS FOUND DESIRABLE TO CHANGE ANY TOLERANCE OR OTHER DETAIL SPECIFIED ON THIS DRAWING NOTIFY THE PURCHASER PROMPTLY.

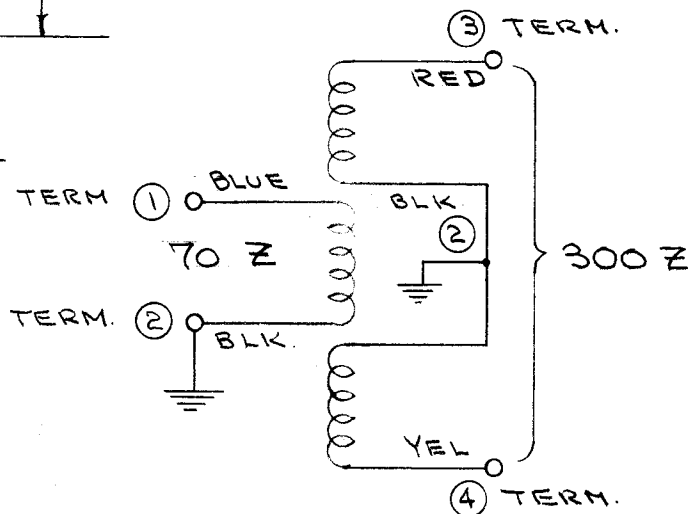
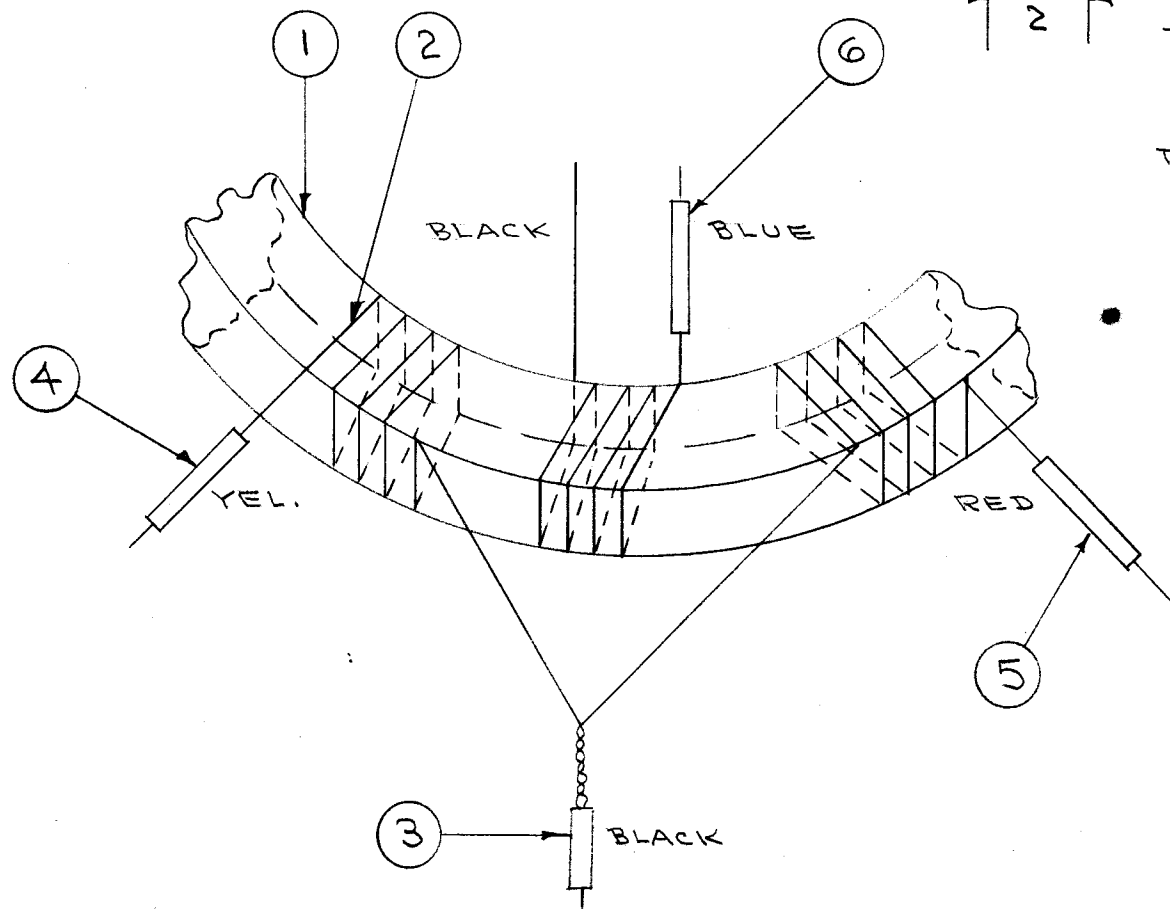
MAXIMUM ALLOWABLE TOLERANCES HAVE BEEN DETERMINED AND DEVIATIONS WILL BE CAUSE FOR REJECTION. REMOVE ALL BURRS AND SHARP EDGES

A-1049

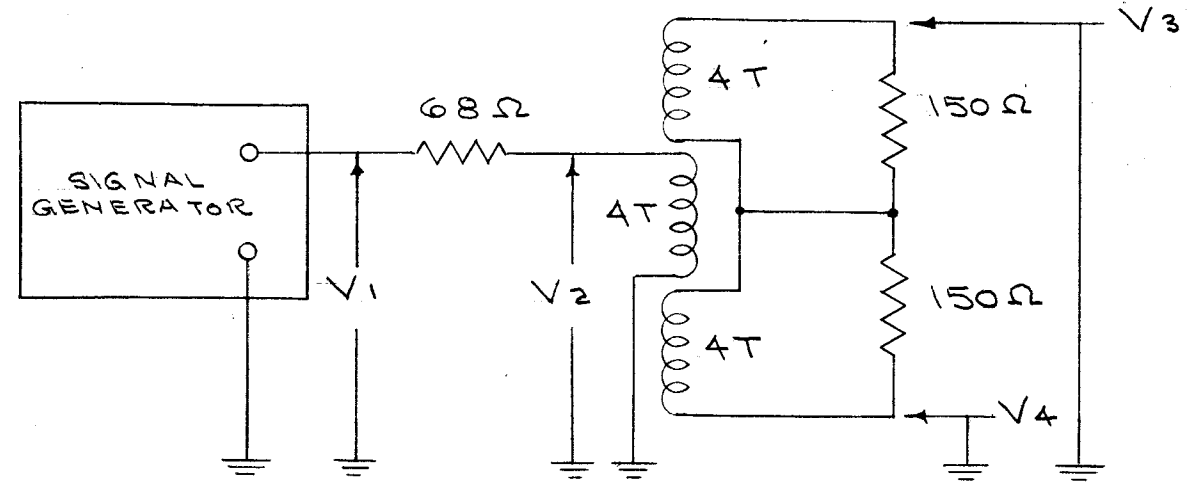
ELECTRICAL TEST DATA



LETTERING THIS SIDE



1-2 INPUT - 70 Ω UNBAL.  
3-4 OUTPUT - 300 Ω BAL.  
FREQ. RANGE - 2-30 mc ± 3db.



f. mc	R. F. VOLTS *			
	V1	V2	V3	V4
2	1.0	.40	.39	.39
8	1.0	.47	.44	.46
32	1.0	.56	.44	.46

\* VOLTAGES MEASURED WITH H.P. VTVM

**NOT TO BE RELEASED  
W/O AUTHORIZATION**  
AUTH. BY: .....  
DATE: .....

REQ.	ITEM	PART NO.	DESCRIPTION	SYMBOL
X	7	GL-106	PLASTIC	
2"	6	PX-104-6-.053	INSULATION, SLEEVING (BLUE)	
2"	5	PX-104-3-.053	" " (RED)	
2"	4	PX-104-2-.053	" " (YEL)	
2"	3	PX-104-1-.053	" " (BLK)	
X	2	WI-102-9	WIRE	
1	1	CI-100-2	CORE	

REQ.	ITEM	PART NO.	DESCRIPTION	SYMBOL
<b>THE TECHNICAL MATERIEL CORP.</b>				
MAMARONECK, NEW YORK				
TRANSFORMER, ANT. MATCHING				
TR-119				
CDD. 7-20-55				
DRAWN		ELEC. DES. APP.		MECH. DES. APP.
HEAT TREAT. SPEC.		CHECKED		FINAL APPROVAL
A-1049				

ISSUE	ITEM	CHANGED FROM	DATE	CN. NO.	DRAFTS	CHECKER	ENG. APP.
TOLERANCES							
ALL OTHERS				SCALE:			
DEC. DIM. ±				DRILL, PUNCH, COMMERCIAL STOCK			
FRAC. DIM. ±				SIZES AND MANUFACTURERS			
ANGULAR DIM. ±				TOLERANCES ARE NOT INCLUDED.			

REQ. PER UNIT	MODEL	PROJECT NO.	ASS'Y. NO.	DATE
1	RAC-2			7-20-55
USED ON				