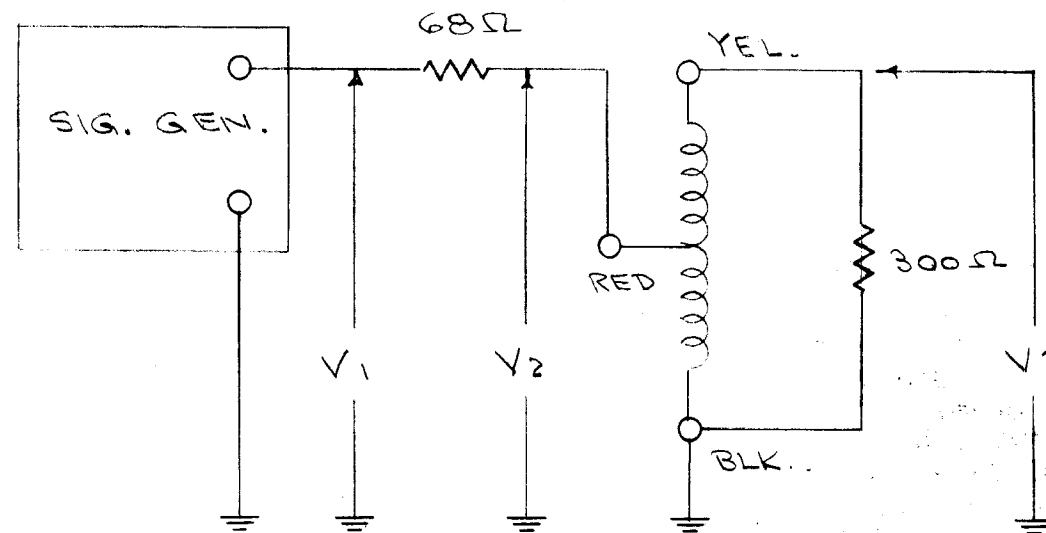


IF IT IS FOUND DESIRABLE TO CHANGE ANY TOLERANCE OR OTHER DETAIL SPECIFIED ON THIS DRAWING NOTIFY THE PURCHASER PROMPTLY.

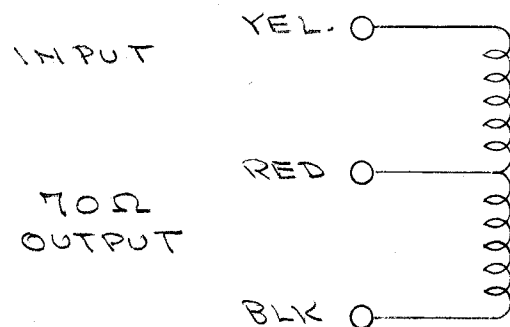
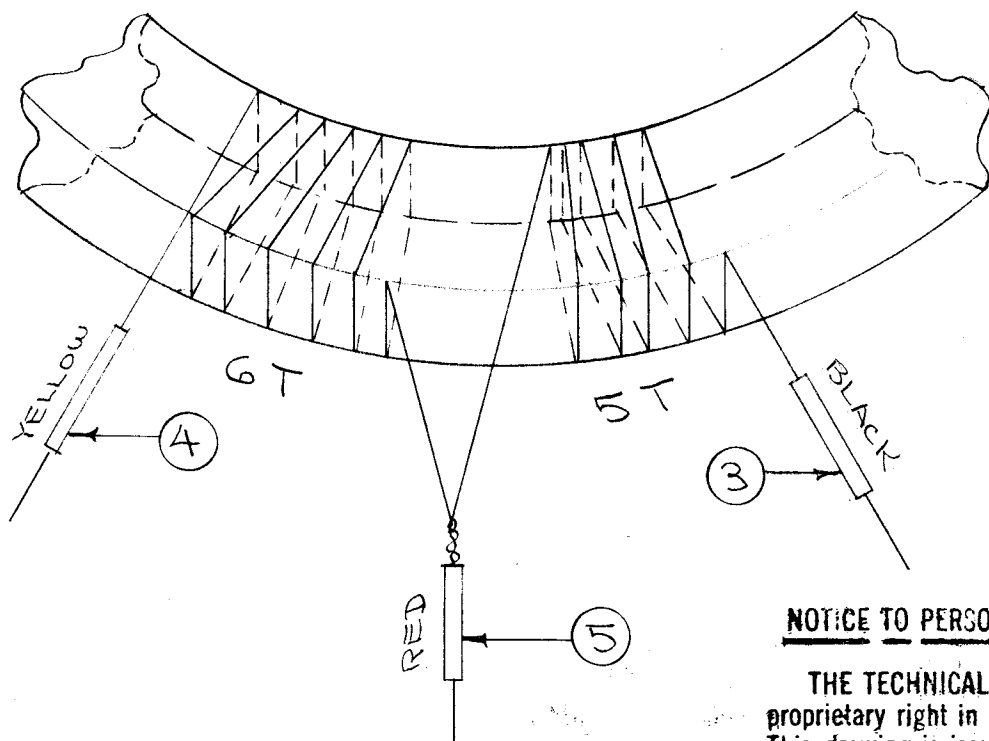
MAXIMUM ALLOWABLE TOLERANCES HAVE BEEN DETERMINED AND DEVIATIONS WILL BE CAUSE FOR REJECTION. REMOVE ALL BURRS AND SHARP EDGES

A-1083

ELECTRICAL TEST DATA



BOTH WINDINGS SAME DIRECTION



| f m.c. | RF VOLTS * | | |
|--------|------------|-----|-----|
| | V1 | V2 | V3 |
| 2 | 1 | .47 | .98 |
| 8 | 1 | .52 | 1.0 |
| 32 | 1 | .57 | .96 |

* H.P. VTVM

ALL LEADS 1/2 INCHES

NOTICE TO PERSONS RECEIVING THIS DRAWING

THE TECHNICAL MATERIEL CORPORATION claims proprietary right in the material disclosed hereon. This drawing is issued in confidence for engineering information only and may not be reproduced or used to manufacture anything shown hereon without permission from THE TECHNICAL MATERIEL CORPORATION to the user. This drawing is loaned for mutual assistance and is subject to recall at any time.

Property of:
THE TECHNICAL MATERIEL CORPORATION
MAMARONECK, NEW YORK

**NOT TO BE RELEASED
W/O AUTHORIZATION**

AUTH. BY.....
DATE:.....

| | | | | |
|---|---|---------------|----------------------|-----|
| X | 5 | PX-104-3-.053 | INSULATION, SLEEVING | RED |
| X | 4 | PX-104-2-.053 | " " " | YEL |
| X | 3 | PX-104-1-.053 | " " " | BLK |
| X | 2 | WI-102-9 | WIRE | |
| 1 | 1 | CI-10A | CORE | |

| REQ. | ITEM | PART NO. | DESCRIPTION | SYMBOL |
|--|------|----------|-----------------|--------|
| THE TECHNICAL MATERIEL CORP. MAMARONECK, NEW YORK | | | | |
| TRANSFORMER SUB ASSY RBT-1 | | | | |
| STOCK SIZE | | | CDD. 8/31/55 | |
| MATERIAL | | | DRAWN | |
| WEIGHT PER PC. | | | ELEC. DES. APP. | |
| TYPE & TEMPER | | | MECH. DES. APP. | |
| HEAT TREAT. SPEC. | | | CHECKED | |
| FINISH & SPEC. NO. | | | FINAL APPROVAL | |

| ISSUE | ITEM | CHANGED FROM | DATE | CN. NO. | DRAFTS | CHECKER | ENG. APP. |
|----------------|------|--------------|------|--------------------------------|--------|---------|-----------|
| TOLERANCES | | | | | | | |
| ALL OTHERS | | | | SCALE: | | | |
| DEC. DIM. ± | | | | DRILL, PUNCH, COMMERCIAL STOCK | | | |
| FRAC. DIM. ± | | | | SIZES AND MANUFACTURERS | | | |
| ANGULAR DIM. ± | | | | TOLERANCES ARE NOT INCLUDED. | | | |

| | | | |
|---------------|-------|-------------|-----------|
| 1 | RBT-1 | A-9A7 | 9-1-55 |
| REQ. PER UNIT | MODEL | PROJECT NO. | ASSY. NO. |
| USED ON | | | |

A-1083