

REQ. PER UNIT	MODEL	USED ON ASSY. N.	DATE

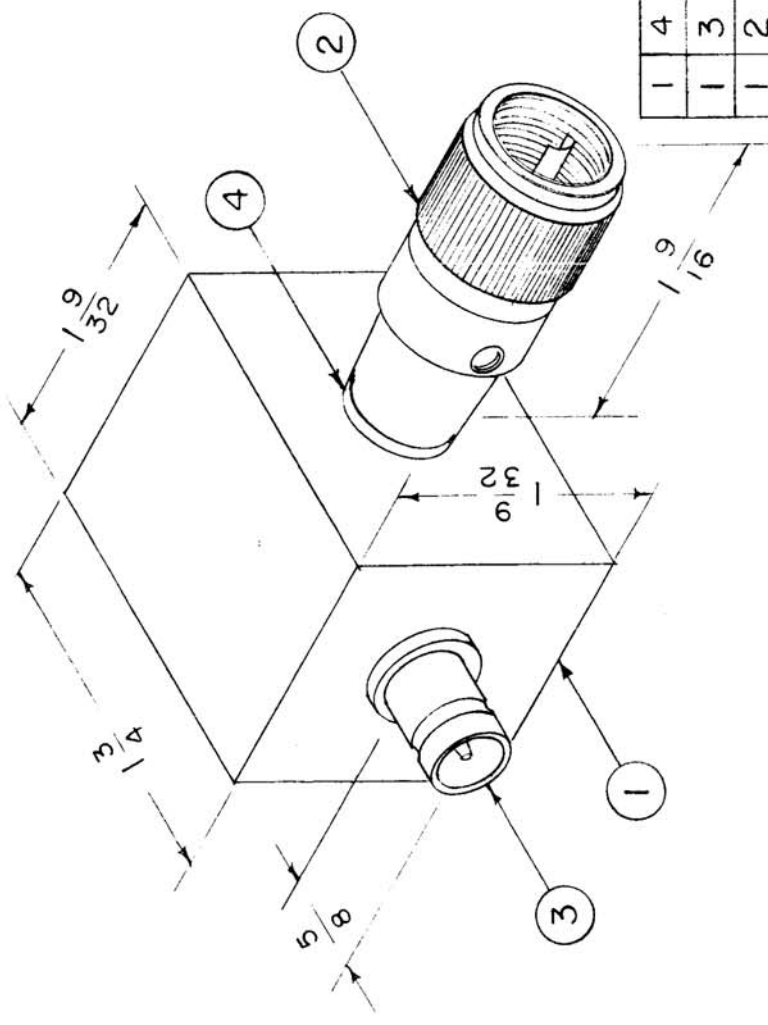
A-1087

MECHANICAL SPECIFICATIONS

CASE - STEEL
 FILLER - COMPOUND
 COLOR - GREY

ELECTRICAL SPECIFICATIONS

INPUT IMP. - 70 Ω UNBALANCED
 OUTPUT IMP. - 300 Ω UNBALANCED
 FREQ. RANGE - 2 TO 54 MC.
 RESPONSE - 2 TO 30 MC WITHIN 3DB
 2 TO 54 MC WITHIN 5DB



1	4	UG-176/U	CONNECTOR	SYMBOL
1	3	UG-625/U	RECEPTACLE	
1	2	PL-259	PLUG	
1	1	BX-131	CASE	
REQ. ITEM	PART NO.	DESCRIPTION	THE TECHNICAL MATERIEL CORP. MAMARONECK, NEW YORK	
STOCK SIZE		SPECIFICATIONS		
MATERIAL		MODEL RBT-1		
TYPE & TEMPER		CDD	JAD	APB
HEAT TREAT. SPEC.		2A-947	CHECKED	FINAL APPR VAL
FINISH & SPEC. NO.		ELEC. DES. APP.		A-1087
		MECH. DES. APP.		

ISSUE ITEM	CHANGED FROM	DATE	CH. NO.	DRAFTS	CHECKER	ENG. APP.
TOLERANCES						
SCALE:						
MAXIMUM ALLOWABLE TOLERANCES HAVE BEEN DETERMINED AND ANY DEVIATIONS WILL BE CAUSE FOR REJECTION. REMOVE ALL BURRS AND SHARP EDGES						
DEC. DIM. ±						
FRAC. DIM. ±						
ANGULAR DIM. ±						