

IF IT IS FOUND DESIRABLE TO CHANGE ANY TOLERANCE OR OTHER DETAIL SPECIFIED ON THIS DRAWING NOTIFY THE PURCHASER PROMPTLY.

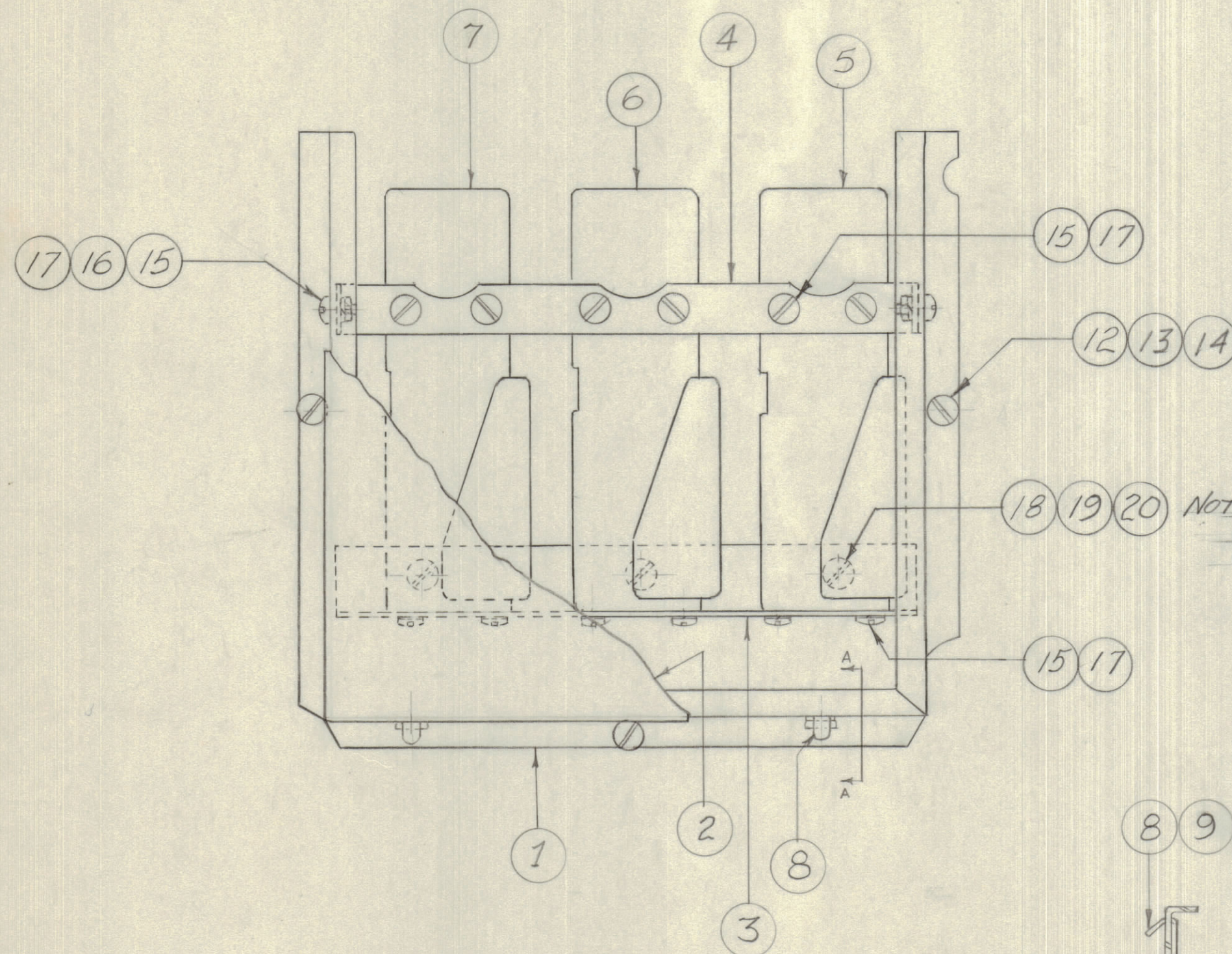
MAXIMUM ALLOWABLE TOLERANCES HAVE BEEN DETERMINED AND DEVIATIONS WILL BE CAUSE FOR REJECTION. REMOVE ALL BURRS AND SHARP EDGES

NOTICE TO PERSONS RECEIVING THIS DRAWING

THE TECHNICAL MATERIEL CORPORATION claims proprietary right in the material disclosed hereon. This drawing is issued in confidence for engineering information only and may not be reproduced or used to manufacture anything shown hereon without permission from THE TECHNICAL MATERIEL CORPORATION to the user. This drawing is loaned for mutual assistance and is subject to recall at any time.

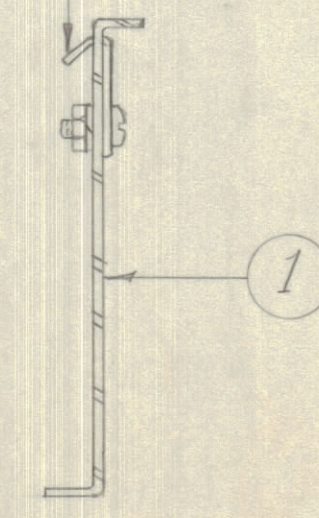
Property of:

THE TECHNICAL MATERIEL CORPORATION
MAMARONECK, NEW YORK



NOTE: A-10065 & A-10045 TO BE MOUNTED ON CHASSIS USING THE SAME SCREWS.

8 9 10 11 BEND TO SUIT ON ASSEMBLY



SECTION A-A

A-10065

3	20	LWS-08MRC	LOCKWASHER 08
3	19	NTH0832BG10	NUT HEX. 8-32
3	18	SCBS-0832BC8	SCREW MACHINE
14	17	LWS-06-MRC	LOCKWASHER 06
2	16	NTH-0632BC8	NUT HEX 6-32
14	15	SCBS0632BC4	SCREW MACHINE
3	14	LWS-04MRC	LOCKWASHER 04
3	13	NTH-0440-BC8	NUT HEX - 4-40
3	12	SCBS0440BC6	SCREW MACHINE
2	11	LWS-04LEC	LOCKWASHER - 04
2	10	NTH0440BC6	NUT HEX. 4-40
2	9	SCBS-0440BC4	SCREW MACHINE 4-40 x 1/4"
2	8	TE116-2	LUG - (CUT LENGTH TO SUIT)
1	7	RL-10005	RELAY
1	6	RL-10004	RELAY
1	5	RL-10003	RELAY
1	4	MS-10133	BRACKET
1	3	MS-10132	BRACKET
1	2	MS-10122	RELAY COVER
1	1	MS-10123	RELAY HOUSING

REQ.	ITEM	PART NO.	DESCRIPTION	SYMBOL
			TMC (Canada) LIMITED OTTAWA ONTARIO	
STOCK SIZE			RELAY SUB ASSEMBLY	
MATERIAL			TEMP. R.F. SWITCHING UNIT	
WEIGHT PER PC.			L. MARION	
TYPE & TEMPER			DRAWN	
HEAT TREAT. SPEC.			ELEC. DES. APP. MECH. DES. APP.	
FINISH & SPEC. NO.			CHECKED FINAL APPROVAL	
			A-10065	

ISSUE	ITEM	CHANGED FROM	DATE	CN. NO.	DRAFTS	CHECKER	ENG. APP.
TOLERANCES				SCALE:			
ALL OTHERS	DEC. DIM. ±	FRAC. DIM. ±	ANGULAR DIM. ±	DRILL, PUNCH, COMMERCIAL STOCK SIZES AND MANUFACTURERS TOLERANCES ARE NOT INCLUDED.			

MODEL	PROJECT NO.	ASS'Y. NO.	DATE
			A-10063 25/11/55
USED ON			