

IF IT IS FOUND DESIRABLE TO CHANGE ANY TOLERANCE OR OTHER DETAIL SPECIFIED ON THIS DRAWING NOTIFY THE PURCHASER PROMPTLY.

MAXIMUM ALLOWABLE TOLERANCES HAVE BEEN DETERMINED AND DEVIATIONS WILL BE CAUSE FOR REJECTION. REMOVE ALL BURRS AND SHARP EDGES

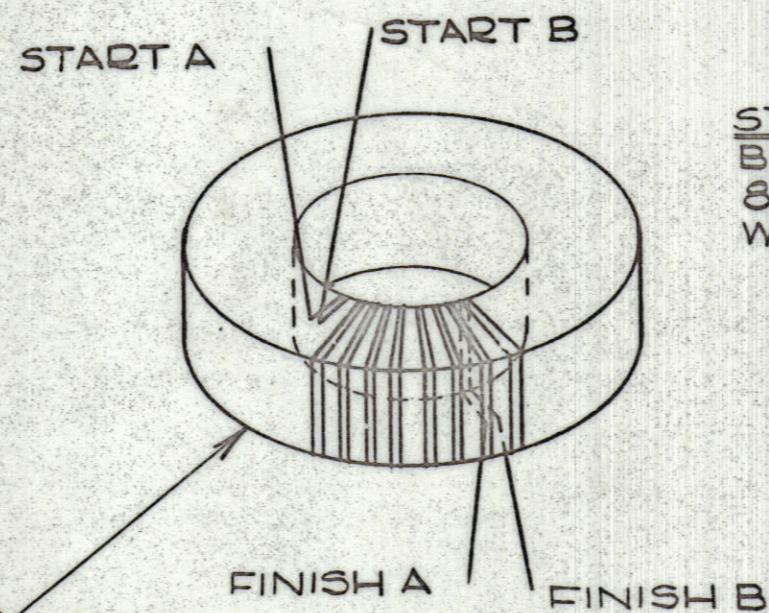
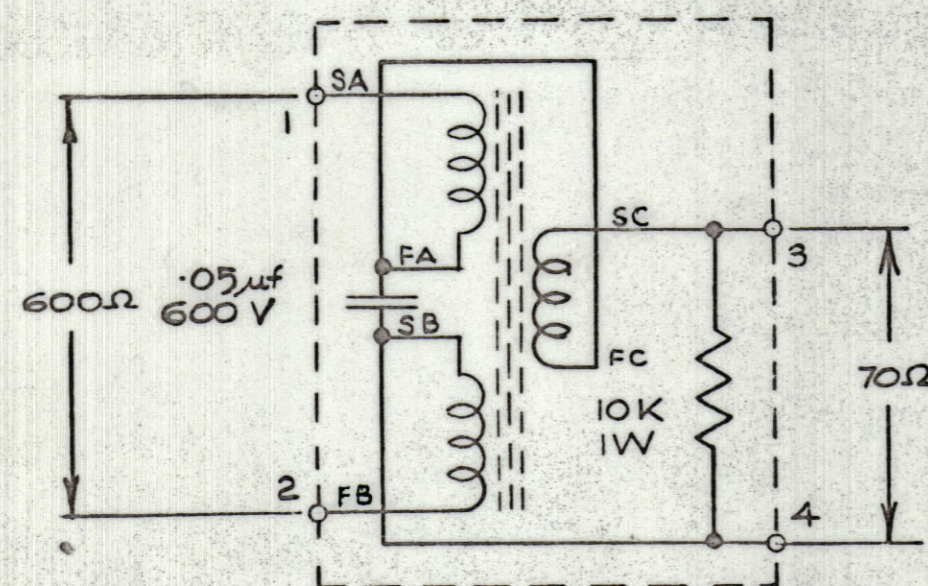
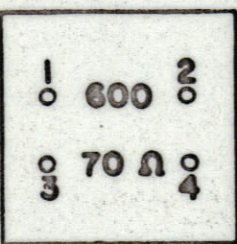
**NOT TO BE RELEASED  
W/O AUTHORIZATION**

AUTH. BY \_\_\_\_\_  
DATE: \_\_\_\_\_

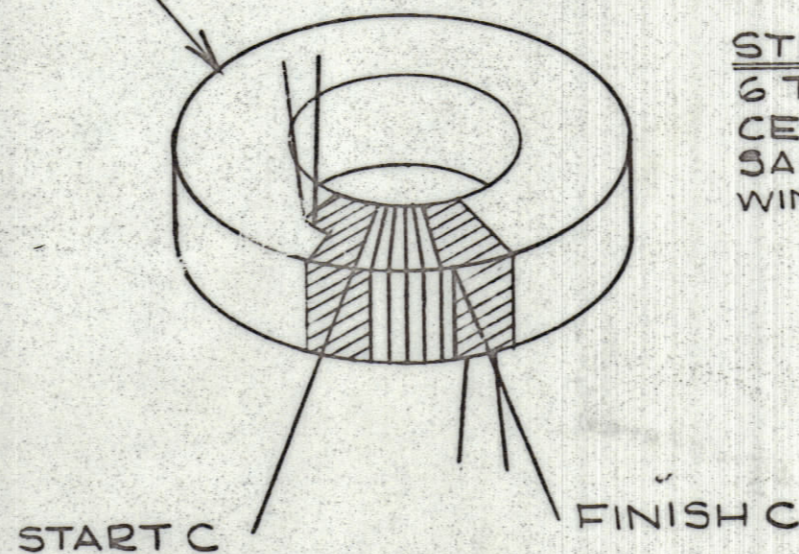
**NOTICE TO PERSONS RECEIVING THIS DRAWING**

THE TECHNICAL MATERIEL CORPORATION claims proprietary right in the material disclosed hereon. This drawing is issued in confidence for engineering information only and may not be reproduced or used to manufacture anything shown hereon without permission from THE TECHNICAL MATERIEL CORPORATION to the user. This drawing is loaned for mutual assistance and is subject to recall at any time.

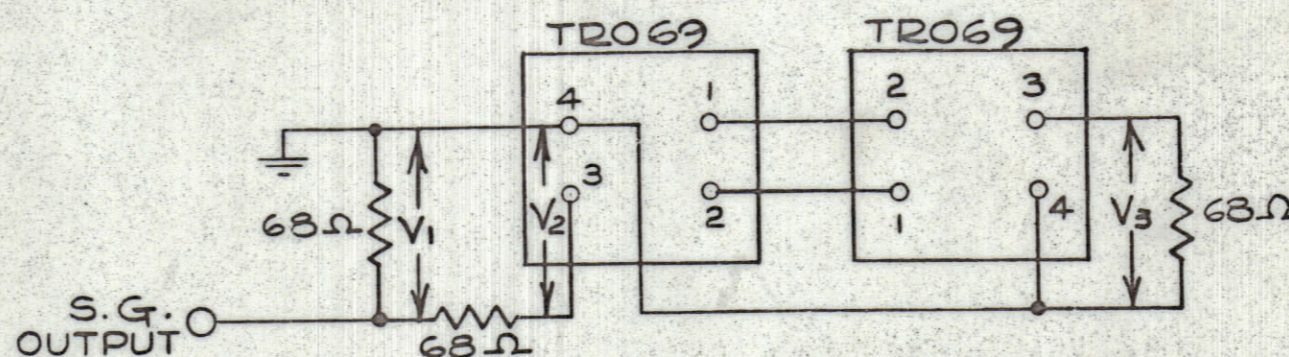
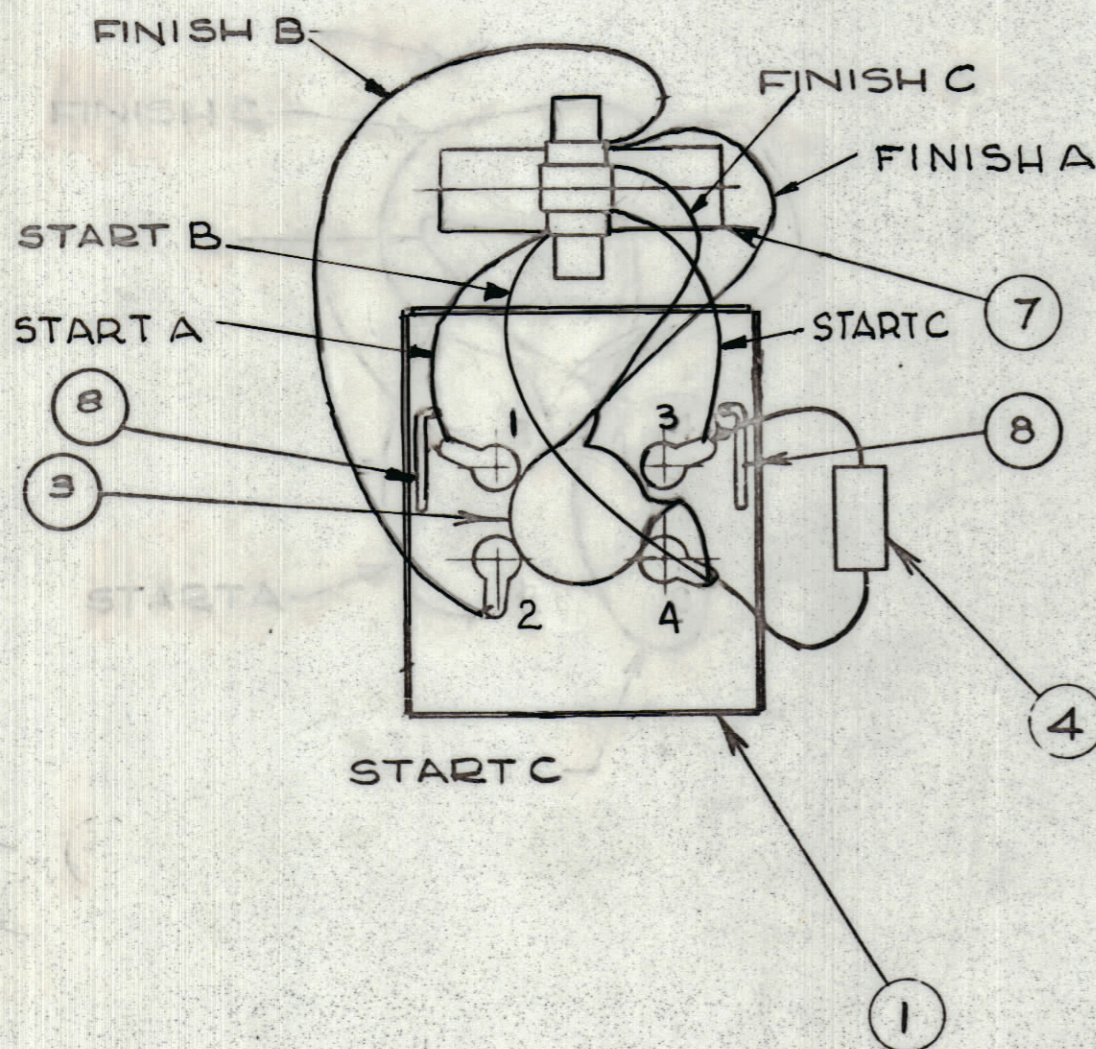
Property of:  
THE TECHNICAL MATERIEL CORPORATION  
MAMARONECK, NEW YORK



**STEP ONE:**  
BIFILAR, CLOSE-WOUND  
8-1/2 TURNS, № 30 DCC WIRE (ITEM 5)  
WINDINGS COATED WITH RADIO CEMENT



**STEP TWO:**  
2 TURNS, № 30 DCC WIRE (ITEM 5)  
CENTRED ON PRIMARY,  
SAME DIRECTION  
WINDINGS COATED WITH RADIO CEMENT



**TEST DATA**

FREQ	RF VOLTS		
	V <sub>1</sub>	V <sub>2</sub>	V <sub>3</sub>
2 Mc/s	1.0	0.5 ± .1	0.45 ± .1
8 Mc/s	1.0	0.5 ± .1	0.45 ± .1
28 Mc/s	1.0	0.5 ± .1	0.45 ± .1
32 Mc/s	1.0	0.5 ± .1	0.45 ± .1

ISSUE	ITEM	CHANGED FROM	DATE	CH. NO.	DRAFTS	CHECKER	ENG. APP.
D		CONNECTION W/TERM. MODIFIED ITEM 2 WAS C100013	10/2/59	21285	G-D-L		
C	3	TITLE W/ST. TI 10-60	10-31-59	1521			
B	1	WIRING REROUTED	27 OCT 59		WHD		
A	1	REVISIONS MADE			JC		
	2		27				
	3		1000				

TOLERANCES: DEC. DIM. \* —, FRAC. DIM. ± —, ANGULAR DIM. \* —

SCALE: NTS

DRILL PUNCH, COMMERCIAL STOCK SIZES AND MANUFACTURERS TOLERANCES ARE NOT INCLUDED.

REQ.	ITEM	PART NO.	DESCRIPTION	SYMBOL
2	8	MS10259	STABILIZER	
1	7	CF10012	COIL FORM	
#	6	#	DELETED	
A/E	5	W110006-2	WIRE, #30 DCC	
1	4	RC30GF103K	RESISTOR	
1	3	CC10006-1	CAPACITOR	
1	2	CI-104	CORE, 3C	
1	1	BX106	XFMR CAN (4 HOLE PUNCH)	
STOCK SIZE			TMC (Canada) LIMITED OTTAWA ONTARIO	
MATERIAL			TR-069	
TYPE & TEMPER			DCM	
HEAT TREAT. SPEC.			CHECKED: [Signature] FINAL APPROVAL: [Signature]	
FINISH & SPEC. NO.			A10076 D	

MODEL	PROJECT NO.	ASS'Y. NO.	DATE
			DEC 10/59

A10076 D