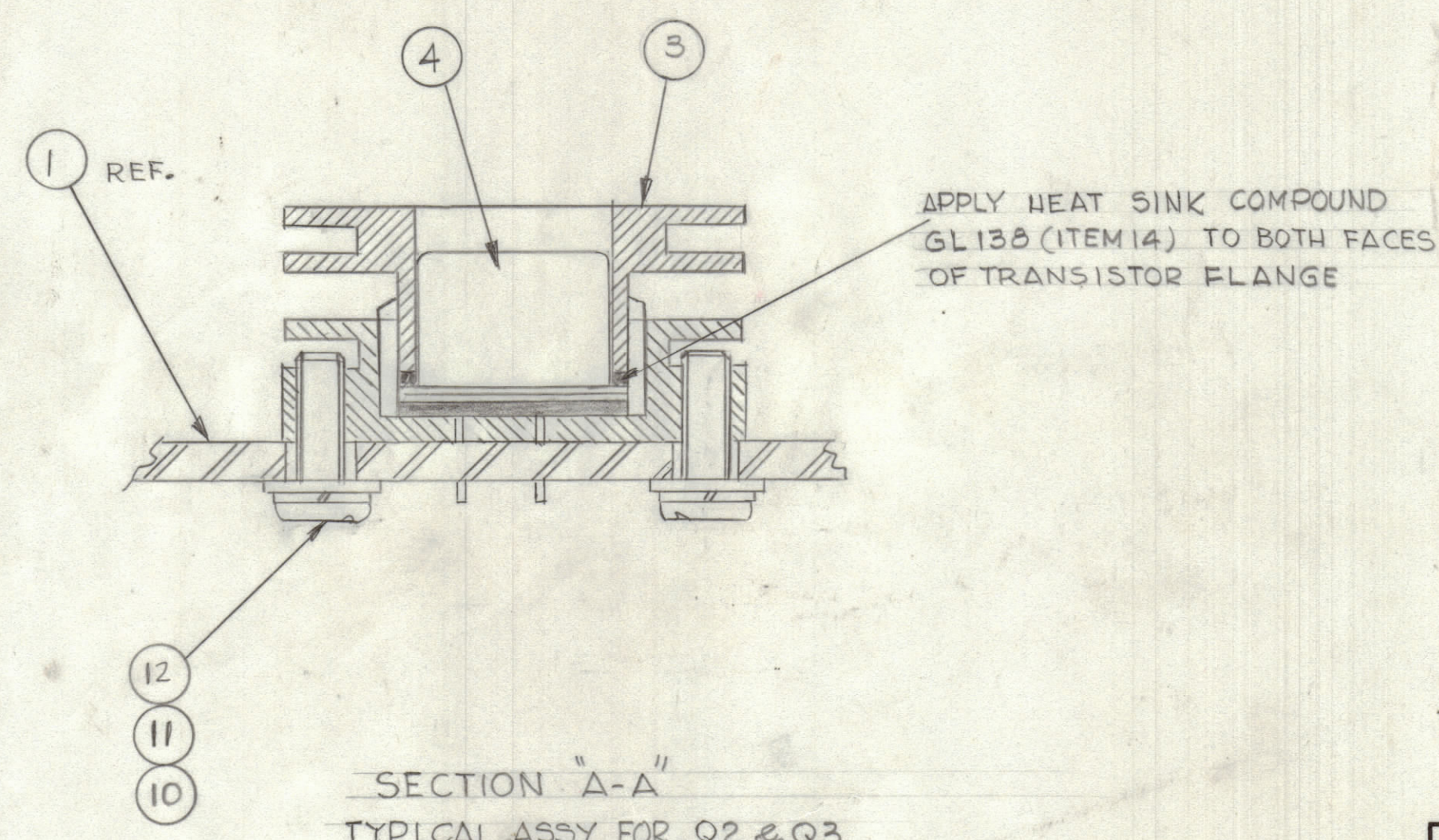
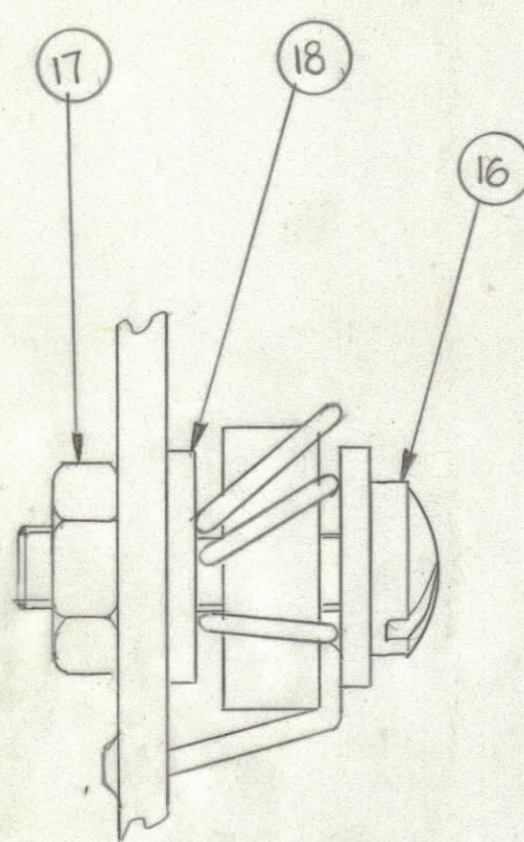
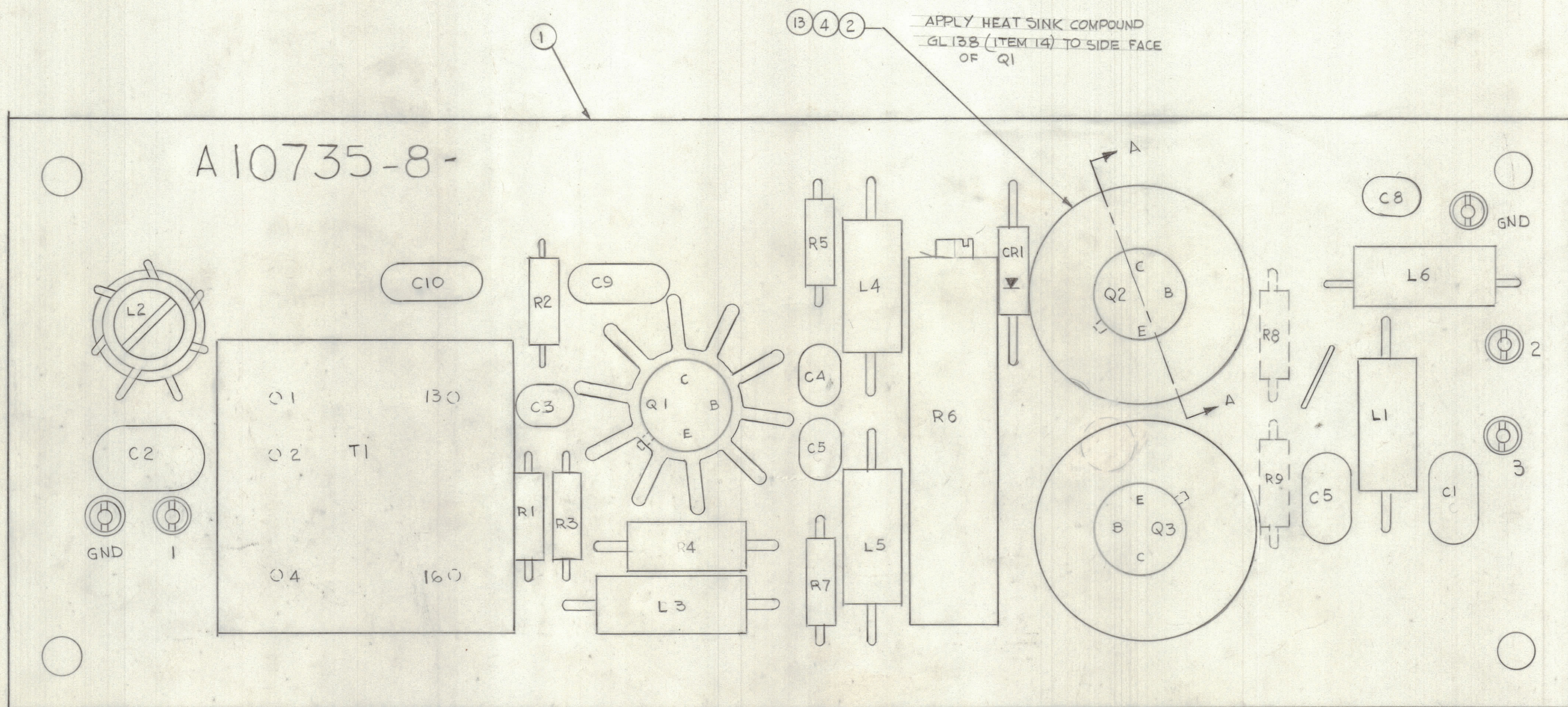


SHEET 2 MISSING

REVISIONS					DATE	APPROVED
E.M.N.	DRAFT	CHKD	ZONE	LTR	DESCRIPTION	
GDL			H		REDRAWN W/OUT CHANGES PRC MISSING	8-29-90



QTY. REQ.	ITEM	PART NO.	DESCRIPTION	SYMBOL
1	18	FW 103-1	WASHER, FLAT	
1	17	NT137-0440	NUT, HEX.	
1	16	SC143-0440 B2W	SCREW, MACHINE	
1	15		TRANSFORMER	T1
AR	14	GL 138	COMPOUND, SILICONE, HEAT SINK	
1	13	PX 829-1	PAD TRANSFORMER MTG.	
4	12	SCBP0256 BNA	SCREW, MACHINE	
4	11	LW502 MRN	WASHER, LOCK SPLIT	
4	10	FW02 HBN	WASHER, FLAT	
5	9		COIL RF	L1, L2, L3, L4, L5, L6
1	8		DIODE	CR1
9	7		CAPACITOR	C1, C2, C3, C4, C5, C8
1	6		RESISTOR VARIABLE	R6
8	5		RESISTOR FIXES	R1, R2, R3, R4, R5, R7, R8, R9
3	4		TRANSISTOR	Q1, Q2, Q3
2	3	HD 10004	HEAT SINK	
1	2	HD 10002-7	HEAT SINK	
1	1	A10735-4	PC ASSY (SUB) PRC AMPLIFIER	

FINAL APPROVAL		DATE	THE TECHNICAL MATERIEL CORP.	
MECH. DES.		DATE	MAMARONECK, NEW YORK	
ELECT. DES.		DATE	PRINTED CIRCUIT ASSY	
CHECKED		DATE	PRE AMPLIFIER	
DRAWN	G.D.L.	DATE	8-29-90	
MATERIAL			SIZE	CODE IDENT NO. DWG NO.
FINISH			D	82679 A10735-8
			SCALE	4:1
			SHEET 8 OF 8	

AMC-32		
QTY / UNIT	MODEL USED ON	ASSY NO.
APPLICATION		
CODE		
NOTICE TO PERSONS RECEIVING THIS DRAWING		
THE TECHNICAL MATERIEL CORPORATION claims proprietary right in the material disclosed herein. This drawing is issued in confidence for engineering information only and may not be reproduced or used to manufacture anything shown herein without permission from THE TECHNICAL MATERIEL CORPORATION to the user. This drawing is loaned for mutual assistance and is subject to recall at any time.		