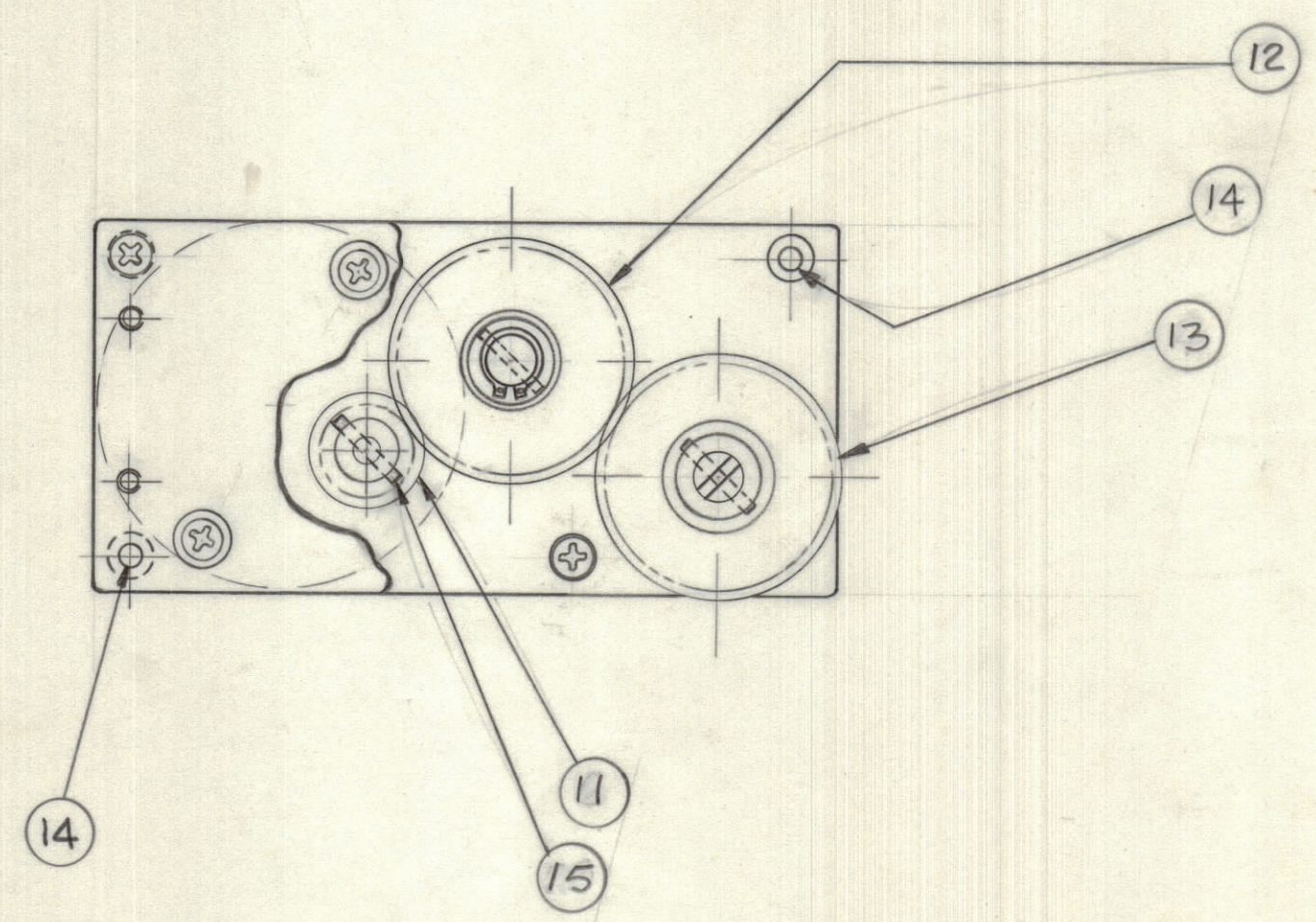
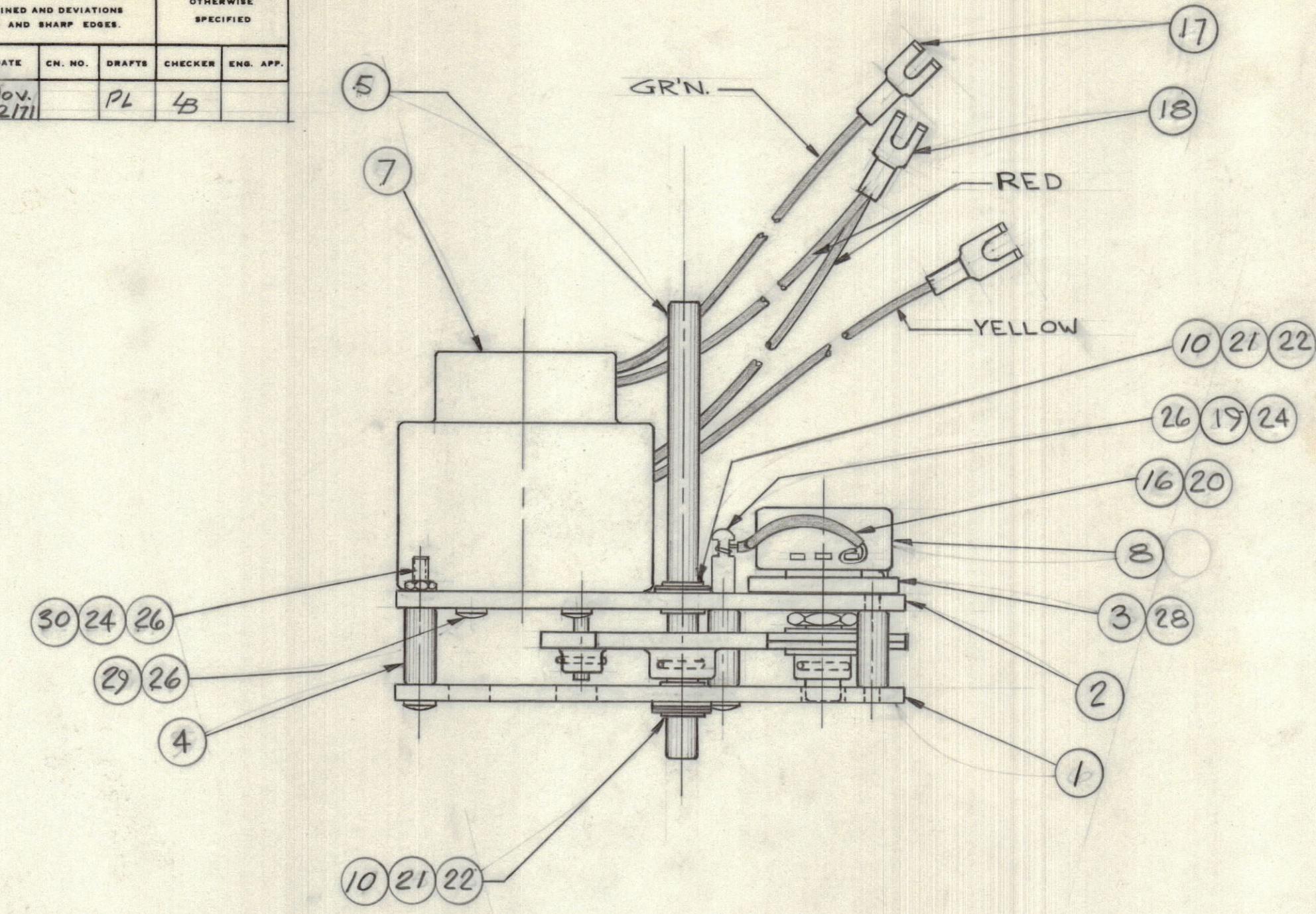


IF IT IS FOUND DESIRABLE TO CHANGE ANY TOLERANCE OR OTHER DETAIL SPECIFIED ON THIS DRAWING NOTIFY THE PURCHASER PROMPTLY.

MAXIMUM ALLOWABLE TOLERANCES HAVE BEEN DETERMINED AND DEVIATIONS WILL BE CAUSE FOR REJECTION. REMOVE ALL BURRS AND SHARP EDGES.

DIMENSIONS IN INCHES UNLESS OTHERWISE SPECIFIED

ISSUE	ITEM	CHANGED FROM	DATE	CN. NO.	DRAFTS	CHECKER	ENG. APP.
X		ENG. RELEASE	Nov. 2/71		PL	LB	



REQ.	ITEM	PART NO.	DESCRIPTION	SYMBOL	USED ON	REMARKS
1	1	MS11028	GEAR PLATE FRONT		A10782	
1	2	MS11029	GEAR PLATE REAR			
1	3	MS11030	PLATE POT MTG.			
4	4	PM10098	SPACER			
5	5	PM10107	SHAFT, GEAR BOX	BT	A10782	
	6					
1	7	MO10001	MOTOR, A.C.		A10782	
1	8	RV10011	RES. VAR.		A10782	
	9					
2	10	BB117-6	NYLON PANEL BRG		A10782	
1	11	GR205-39	GEAR, SPUR.			
1	12	GR205-40	GEAR, SPUR			
1	13	GR213-5	GEAR, SPUR, ANTI-BACKLASH.			
2	14	PM10099	PIN			
3	15	PN59-062-8	PIN, SPRING			
X	16	PX104-1-053	SLEEVING, INSUL.			
2	17	TE120-2	LUG, SPADE			
1	18	TE120-4	LUG, SPADE			
1	19	TE149-120	LUG, SOLDER			
X	20	WL100-4	WIRE, BUSS			
2	21	WA112	RING, RETAINING			
3	22	WA127-1	WASHER, FRICTION DR.		A10782	
	23					
2	24	NTH0440SS6	NUT, HEX.		A10782	
	25					
4	26	LWE04MSS	WASHER, LOCK, TOOTH		A10782	

A10782 X

27						
2	28	SCBP0440SS3	SCREW, PAN HD.		A10782	
2	29	SCBP0440SS6	SCREW, PAN HD.		A10782	
2	30	SCBP0440SS17	SCREW, PAN HD.		A10782	
	31					

TOLERANCES			SCALE: 1:1
ALL OTHERS	DEC. DIM. ± .XX	.05	DRILL, PUNCH, COMMERCIAL STOCK
	FRAC. DIM. ± 1/64	.XX	SIZES AND MANUFACTURERS
	ANGULAR DIM. ± 0° 30'	.XXX	TOLERANCES ARE NOT INCLUDED.

LPA-1KD	A10786	2 Nov. 1971
MODEL	PROJECT NO.	DATE
	ASSY. NO.	

**TMC (Canada) LIMITED**  
OTTAWA ONTARIO

**MOTOR ASSEMBLY**

P. LINDSAY  
DRAWN

L. BROWN  
CHECKED

FINAL APPROVAL  
A10782 X