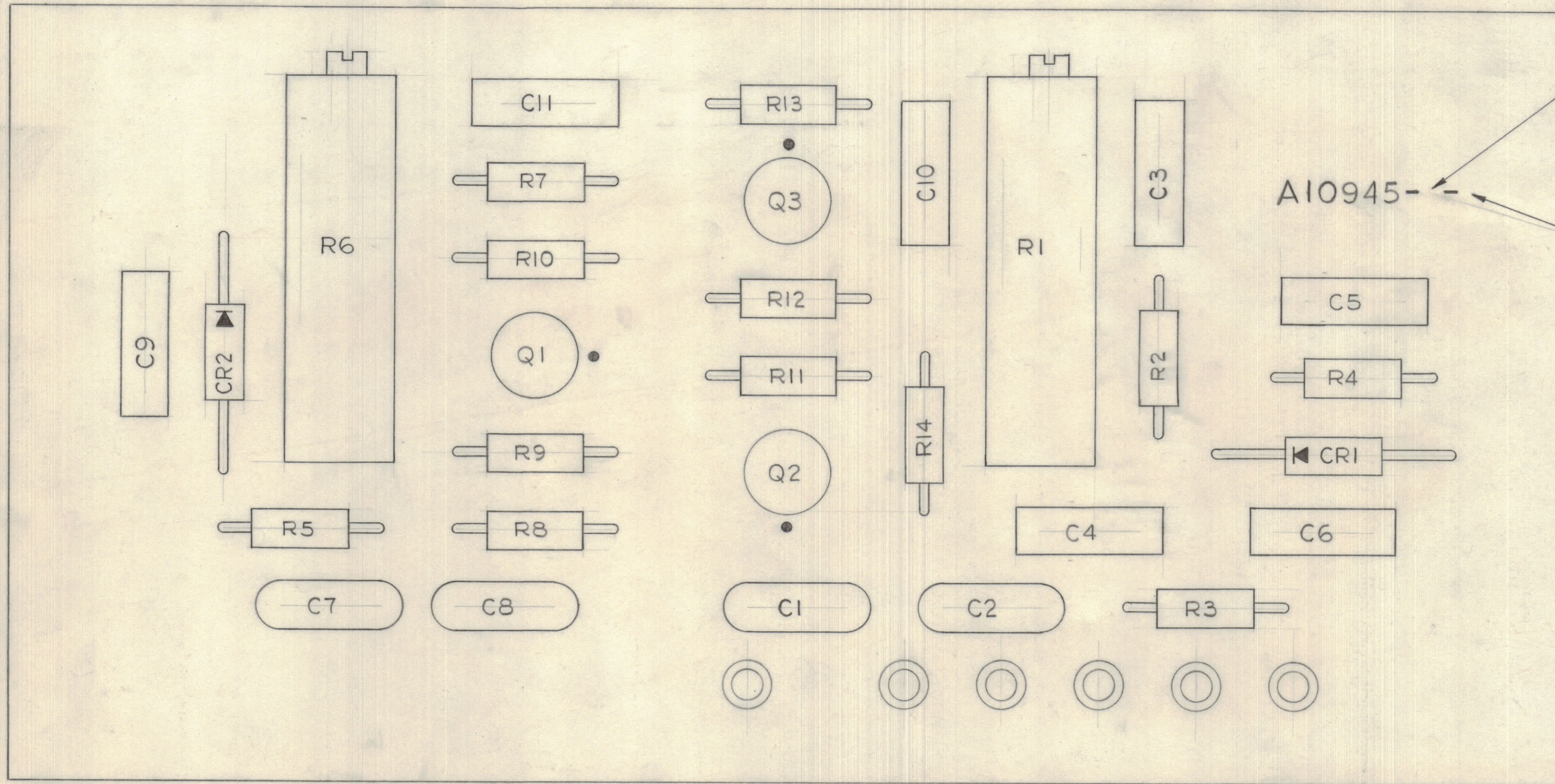


IF IT IS FOUND DESIRABLE TO CHANGE ANY TOLERANCE OR OTHER DETAIL SPECIFIED ON THIS DRAWING NOTIFY THE PURCHASER PROMPTLY.		DIMENSIONS IN INCHES UNLESS OTHERWISE SPECIFIED					
MAXIMUM ALLOWABLE TOLERANCES HAVE BEEN DETERMINED AND DEVIATIONS WILL BE CAUSE FOR REJECTION. REMOVE ALL BURRS AND SHARP EDGES.							
ISSUE	ITEM	CHANGED FROM	DATE	CH. NO.	DRAFTS	CHECKER	ENG. APP.
Ø		REL TO PROD	12 MAR 71		PW		
XI		SEE PER 0544					

REQ.	ITEM	PART NO.	DESCRIPTION	SYMBOL
11	1		CAPACITOR	
2	2		DIODE	
12	3		RESISTOR	CR1 CR2
2	4		RESISTOR VARIABLE	R1 R6
3	5		TRANSISTOR	Q1, Q2 Q3
6	6	TE127-2	TERMINAL, STUD	



A10945-5 Ø

NOTES:
1- FOR ELECTRICAL PART NO'S REFER TO NUMERICAL PARTS LIST.

TOLERANCES		SCALE: 4:1
ALL	DEC. DIM. ± .05	DRILL, PUNCH, COMMERCIAL STOCK
OTHERS	FRAC. DIM. ± 1/64 .XX*.01	SIZES AND MANUFACTURERS
	ANGULAR DIM. ± 0°30' .XXX*.008	TOLERANCES ARE NOT INCLUDED.

MTR100A	087/69/70	A10585	25 NOV 70
MODEL	PROJECT NO.	ASS'Y. NO.	DATE

STOCK SIZE		TMC (Canada) LIMITED OTTAWA ONTARIO	
MATERIAL		P.C. BOARD ASSEMBLY	
WEIGHT PER PC.		ALDC & MONITOR BOARD	
TYPE & TEMPER	M. Dagenais	1/4	
	DRAWN	ELEC. DES. APP.	MECH. DES. APP.
	PROCTOR		
HEAT TREAT. SPEC.	CHECKED	FINAL APPROVAL	
FINISH & SPEC. NO.	SHEET 5 of 5		A10945-5 Ø