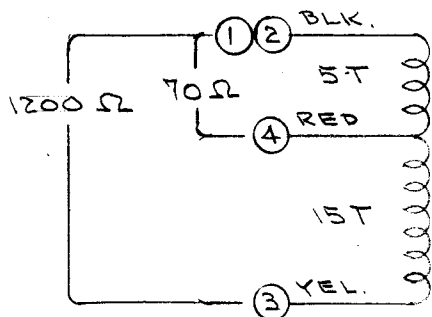
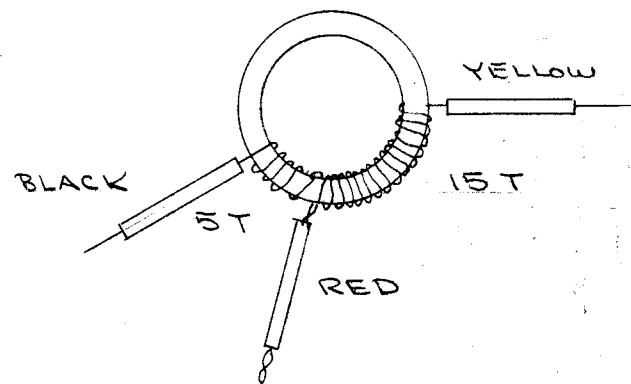


IF IT IS FOUND DESIRABLE TO CHANGE ANY TOLERANCE OR OTHER DETAIL SPECIFIED ON THIS DRAWING NOTIFY THE PURCHASER PROMPTLY.

MAXIMUM ALLOWABLE TOLERANCES HAVE BEEN DETERMINED AND DEVIATIONS WILL BE CAUSE FOR REJECTION. REMOVE ALL BURRS AND SHARP EDGES

BOTH WINDINGS SAME DIRECTION



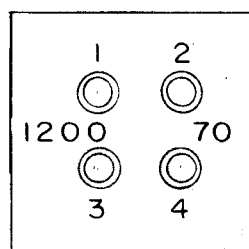
FREQ. RANGE 2-8 MC ± 3db.
70Ω TO 1200Ω UNBALANCED

NOTICE TO PERSONS RECEIVING THIS DRAWING

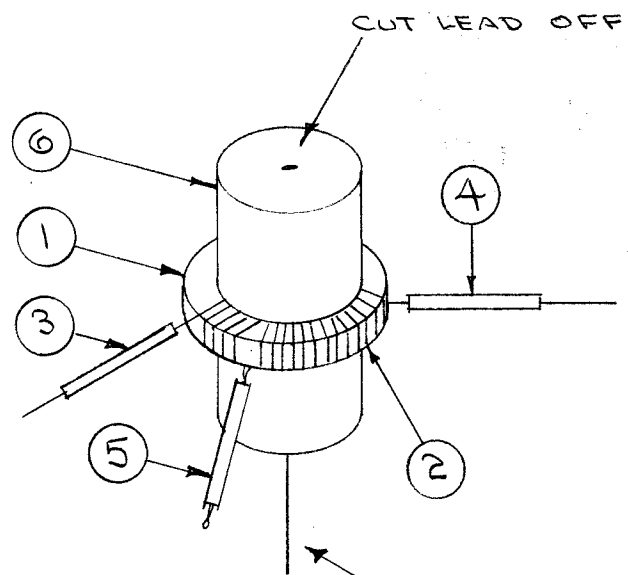
THE TECHNICAL MATERIEL CORPORATION claims proprietary right in the material disclosed hereon. This drawing is issued in confidence for engineering information only and may not be reproduced or used to manufacture anything shown hereon without permission from THE TECHNICAL MATERIEL CORPORATION to the user. This drawing is loaned for mutual assistance and is subject to recall at any time.

Property of:

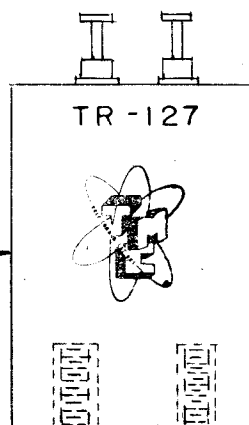
THE TECHNICAL MATERIEL CORPORATION
MAMARONECK, NEW YORK



CONNECT TERMINALS 1 & 2 INTERNALLY.



SOLDER TO TERMINAL 1 AS SUPPORT FOR COIL.



NOTE - FINISH

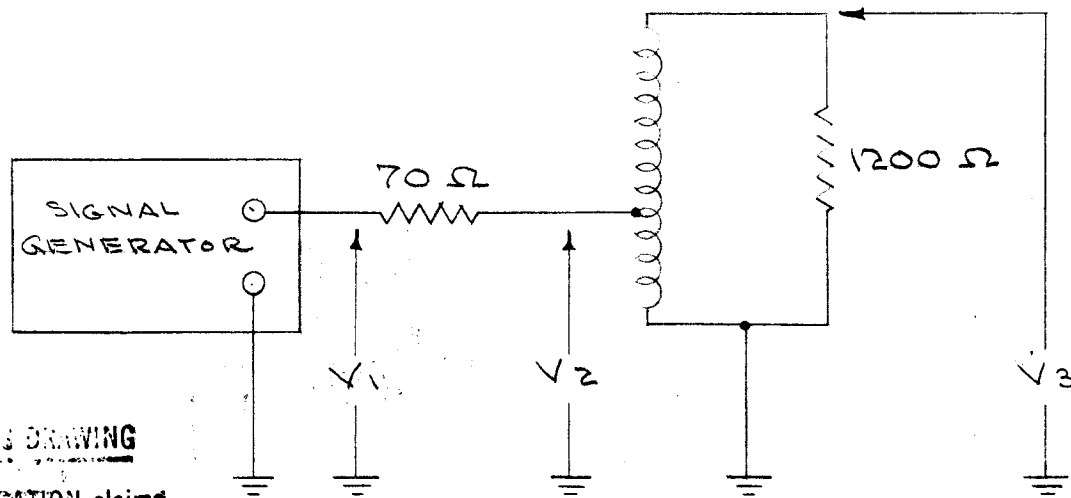
S-114 ZINC CHROMATE PRIMER
S-115 SMOOTH GRAY ENAMEL
STAMP TO 1200 & TMC INSIGNIA AS SHOWN

**NOT TO BE RELEASED
W/O AUTHORIZATION**

AUTH. BY _____

DATE: _____

ELECTRICAL TEST DATA



F mc.	* R.F. VOLTS		
	V ₁	V ₂	V ₃
2	1.0	.45	1.8
4	1.0	.45	1.8
8	1.0	.45	1.9

* H.P. VTVM
ABOVE READINGS ± 10%

REQ.	ITEM	PART NO.	DESCRIPTION	SYMBOL
X	9	BS-100	SOLDER, SOFT	
X	8	GL-106	COMPOUND	
1	7	BX-140	CASE	
1	6	CN-100-3	CAPACITOR, FIXED	
X	5	PX-104-3-.053	INSULATION, SLEEVING RED	
X	4	PX-104-2-.053	" " " YEL	
X	3	PX-104-1-.053	" " " BLK.	
X	2	WI-102-9	WIRE	
1	1	CI-100-3Q	CORE	

REQ.	ITEM	PART NO.	DESCRIPTION	SYMBOL
THE TECHNICAL MATERIEL CORP. MAMARONECK, NEW YORK				
TRANSFORMER 70Ω-1200Ω UNBAL				
TR-127				
STOCK SIZE			DRAWN: CDD 10-3-55	
MATERIAL			ELEC. DES. APP. [Signature]	
WEIGHT PER PC.			MECH. DES. APP. [Signature]	
TYPE & TEMPER			CHECKED: A.J.J.	
HEAT TREAT. SPEC.			FINAL APPROVAL: A.J.J.	
FINISH & SPEC. NO.				

ISSUE	ITEM	CHANGED FROM	DATE	CN. NO.	DRAFTS	CHECKER	ENG. APP.
A	2	70Ω WAS SET. 1503	8/1/52	1		CDD	
	1	1200Ω WAS SET. 2EA					

TOLERANCES		SCALE:		REQ. PER UNIT	MODEL	PROJECT NO.	ASSY. NO.	DATE
ALL OTHERS	DEC. DIM. ± FRAC. DIM. ± ANGULAR DIM. ±	DRILL, PUNCH, COMMERCIAL STOCK SIZES AND MANUFACTURERS TOLERANCES ARE NOT INCLUDED.						

USED ON

A-1112 A