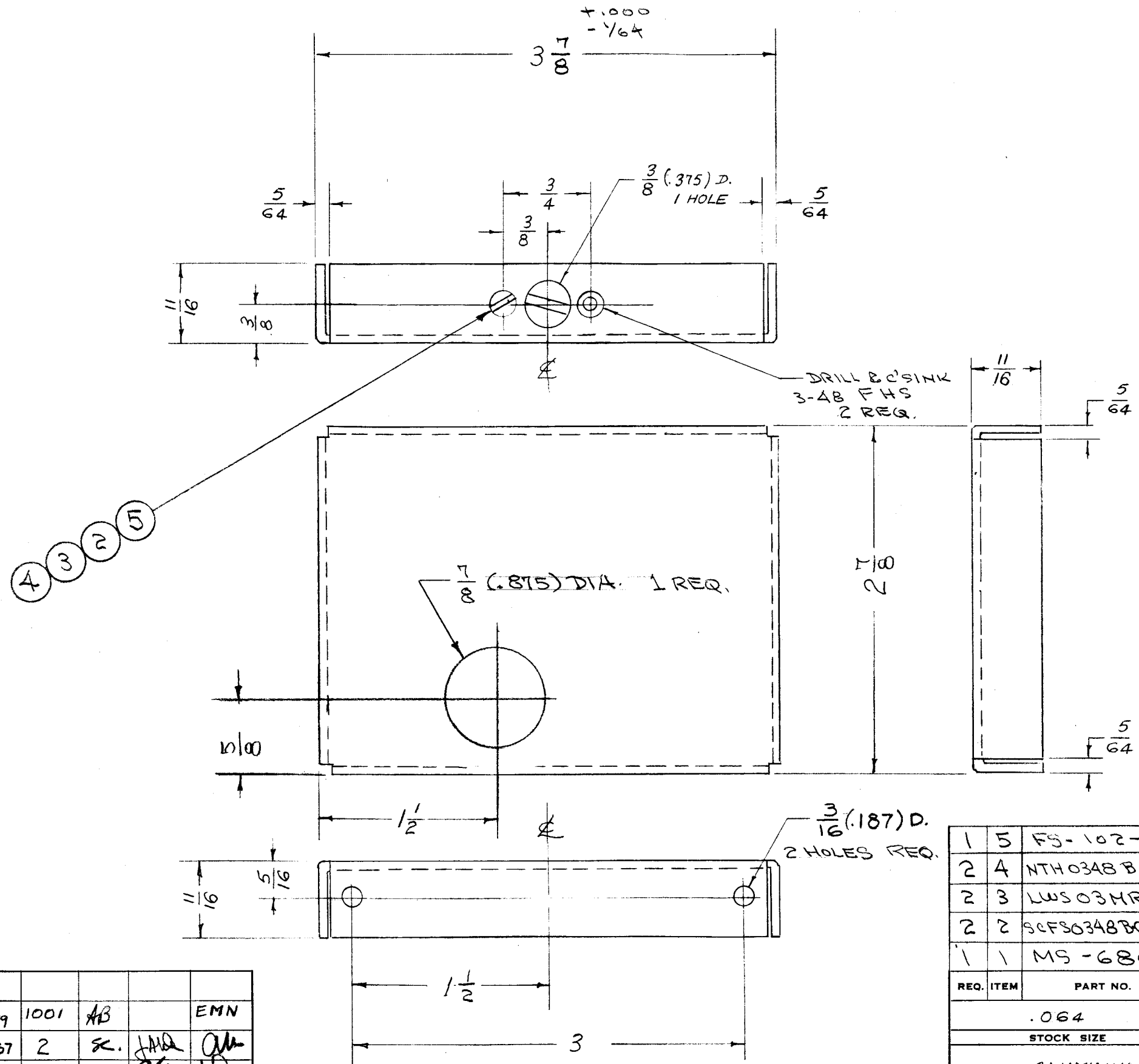


A-1186 C

**NOTICE TO PERSONS RECEIVING THIS DRAWING**

THE TECHNICAL MATERIEL CORPORATION claims proprietary right in the material disclosed hereon. This drawing is issued in confidence for engineering information only and may not be reproduced or used to manufacture anything shown hereon without permission from THE TECHNICAL MATERIEL CORPORATION to the user. This drawing is loaned for mutual assistance and is subject to recall at any time.

Property of:  
 THE TECHNICAL MATERIEL CORPORATION  
 MAMARONECK, NEW YORK



REF. DWG. - A-1188

REQ. ITEM	PART NO.	DESCRIPTION	SYMBOL
1 5	FS-102-1	SPRING, "S" TYPE	
2 4	NTH0348BC6	NUT, HEX	
2 3	LWS03MRC	WASHER, LOCK	
2 2	SCFS0348BC4	SCREW, MACHINE	
1 1	MS-680	BRACKET, RIGHT (NO DRAWING)	
.064		THE TECHNICAL MATERIEL CORP.	
STOCK SIZE		MAMARONECK, NEW YORK	
ALUMINUM		COVER BRACKET ASSY., RIGHT	
MATERIAL		GPT-750	
52 S-H 32		11/8/55	A. J. J.
TYPE & TEMPER	HEAT TREAT. SPEC.	DRAWN	CHECKED
5-404 YELLOW IRIDITE		WJC	WJC
FINISH & SPEC. NO.	ELEC. DES. APP.	MECH. DES. APP.	

ISSUE	ITEM	CHANGED FROM	DATE	CH. NO.	DRAFTS	CHECKER	ENG. APP.
C	1	S-404 WAS S-101	12/10/59	1001	AB		EMN
B	1	3/16 D. WAS 1/64 D.	5/10/57	2	SK.	JAD	AM
A	1	7/8 HOLE WAS 1/2	4/11/56	1	CS	WJC	WJC

TOLERANCES		SCALE:
DEC. DIM. ±		1
FRAC. DIM. ±		RTP
ANGULAR DIM. ±		

MAXIMUM ALLOWABLE TOLERANCES HAVE BEEN DETERMINED AND ANY DEVIATIONS WILL BE CAUSE FOR REJECTION. REMOVE ALL BURRS AND SHARP EDGES

REQ. PER UNIT	MODEL	PROJECT NO.	ASS'Y. NO.	DATE
1	RTP			8-22-55

USED ON