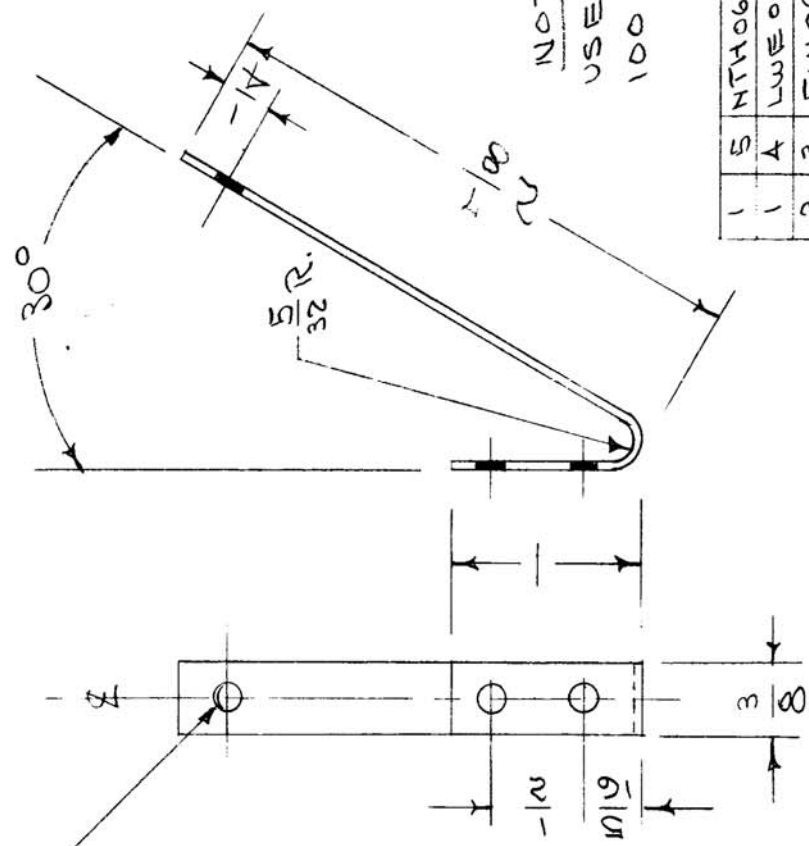
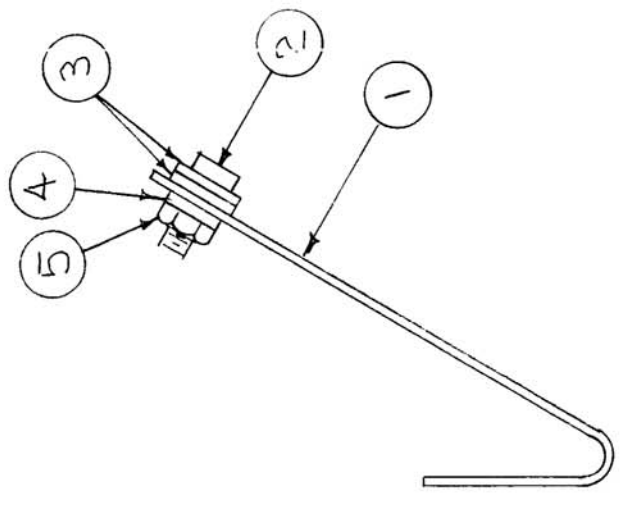


REQ. PER UNIT	MODEL	USED ON ASSY. NO.	DATE
1	RTF	A-1242	2-6-56

$\frac{9}{64}$ (.140) D. 3 REQ.



NOTE
USED ONLY ON RTF SERIAL NOS.
100-114 INCLUSIVE

REQ. ITEM	PART NO.	DESCRIPTION	SYMBOL
1	5 NTH0632808	NUT, HEX	
1	4 LW0606HRC	WASHER, LOCK	
2	3 FW06HRC	" " FLAT	
1	2 PM-411	CONTACT, INC. SWITCH	
1	1 MS-885	SPRING (NO DRAWING)	

.020 THK.	
STOCK SIZE	
PHOSPHOR BRONZE	
MATERIAL	
SPRING GRADE "A"	CD 7/6/36
TYPE & TEMPER	FAISE
HEAT TREAT. SPEC.	CHECKED
SILVER PLATE .0003	MM 2/6/56
FINISH & SPEC. NO.	ELEC. DES. APP. MECH. DES. APP.

THE TECHNICAL MATERIEL CORP.
MAMARONECK, NEW YORK

CONTACT SPRING, ASSY.
PM/AMP

FINAL APPROVAL
A-1242

SCALE:
MAXIMUM ALLOWABLE TOLERANCES HAVE BEEN DETERMINED AND ANY DEVIATIONS WILL BE CAUSE FOR REJECTION.
REMOVE ALL BURRS AND SHARP EDGES