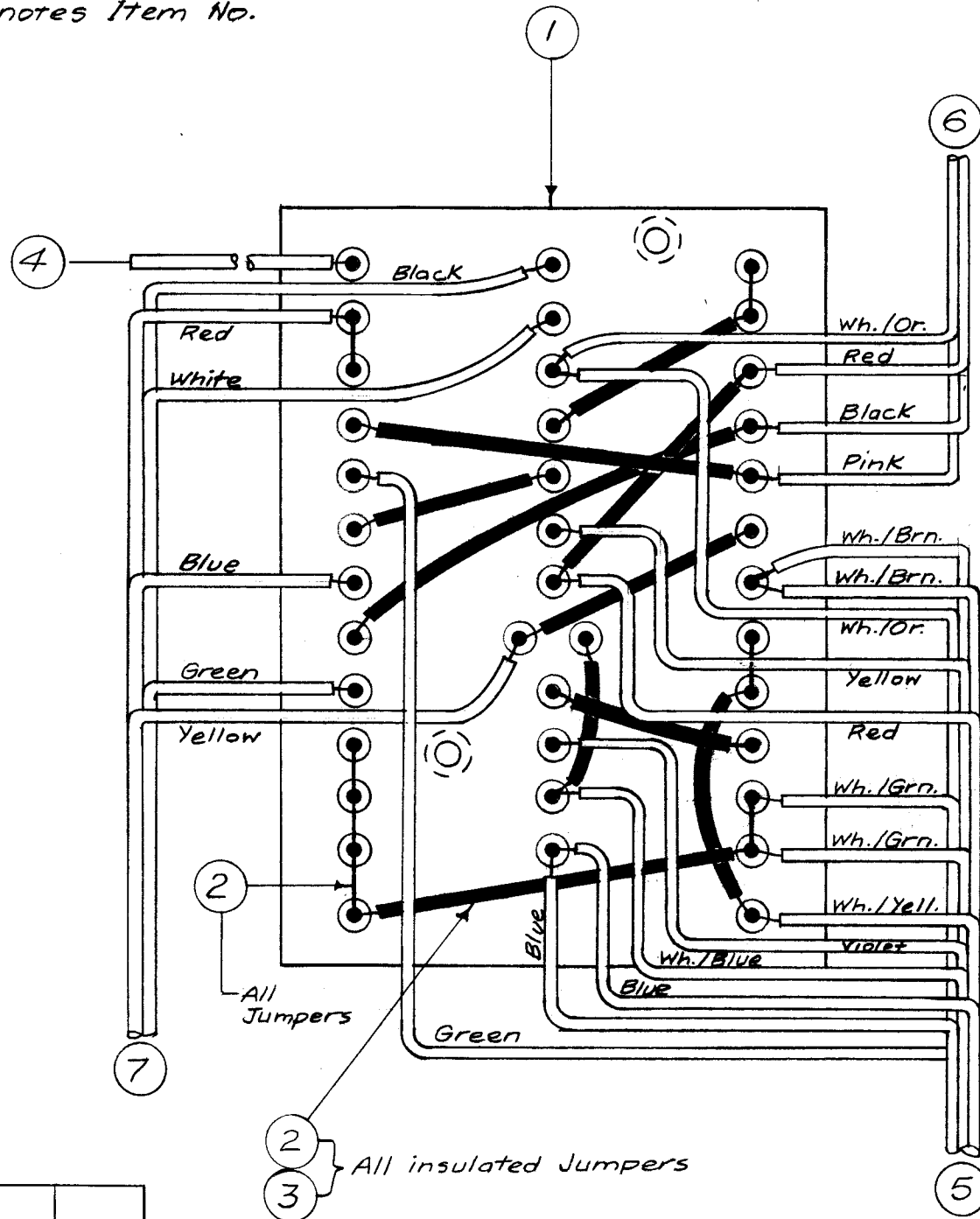
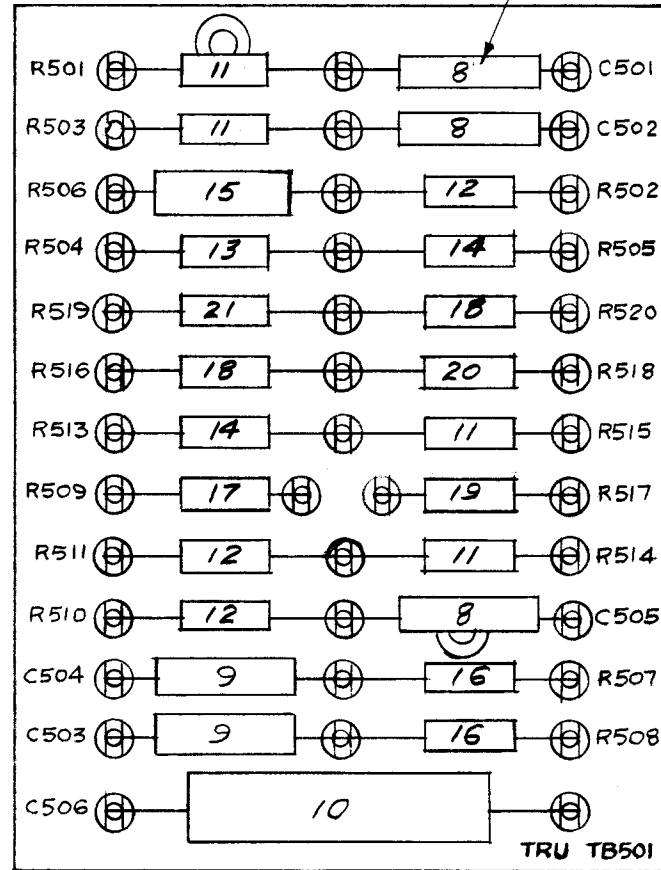


**NOTICE TO PERSONS RECEIVING THIS DRAWING**

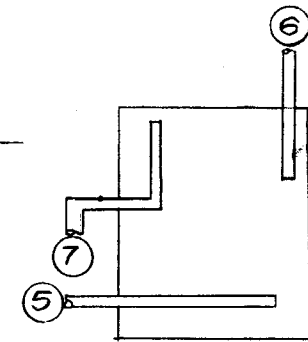
THE TECHNICAL MATERIEL CORPORATION claims proprietary right in the material disclosed hereon. This drawing is issued in confidence for engineering information only and may not be reproduced or used to manufacture anything shown hereon without permission from THE TECHNICAL MATERIEL CORPORATION to the user. This drawing is loaned for mutual assistance and is subject to recall at any time.

Property of:  
**THE TECHNICAL MATERIEL CORPORATION**  
 MAMARONECK, NEW YORK

Denotes Item No.



True Positions of Cables



Same View

X	22	BS-100	Solder, Soft	
1	21	RC20GF564K	Resistor, Fixed, Comp.	R519
1	20	RC20GF334K		R518
1	19	RC20GF152K		R517
2	18	RC20GF104K		R520, R516
1	17	RC20GF473K		R509
2	16	RC20GF225K		R508, R507
1	15	RC42GF273K		R506
2	14	RC20GF684K		R513, R505
1	13	RC20GF472K		R504
3	12	RC20GF394K		R511, R510, R502
4	11	RC20GF105K	Resistor, Fixed, Comp.	R501, R503, R514, R515
1	10	CN-100-3	Capacitor, Fixed	C506
2	9	CM35C202K	" , " , Mica	C504, C503
3	8	CM35C103K	" , " , "	C505, C502, C501
1	7	CA-334	Audio Cable	
1	6	CA-333	Power Cable	
1	5	CA-332	Main Cable	
2 1/2	4	SRIR 3/8(7)22U99	Cable, Insulated (Size 22)	White
X	3	PX-104-1-.022	Insulation, Sleeving (Size 24)	Black
X	2	WL-100-8	Wire, Buss (Size 24)	
1	1	A-1372	Terminal Bd. Sub-Ass'y.	

REQ. ITEM	PART NO.	DESCRIPTION	SYMBOL
<b>THE TECHNICAL MATERIEL CORP.</b> MAMARONECK, NEW YORK <b>TRU TERMINAL BOARD</b> FINAL ASS'Y. (TB-501)			
STOCK SIZE			
MATERIAL			
TYPE & TEMPER		HEAT TREAT. SPEC.	
FINISH & SPEC. NO.		ELEC. DES. APP. MECH. DES. APP.	
DRAWN		CHECKED	
DATE		FINAL APPROVAL	

ISSUE	ITEM	CHANGED FROM	DATE	CH. NO.	DRAFTS	CHECKER	ENG. APP.
TOLERANCES							
SCALE:							
DEC. DIM. ± FRAC. DIM. ± ANGULAR DIM. ±							
MAXIMUM ALLOWABLE TOLERANCES HAVE BEEN DETERMINED AND ANY DEVIATIONS WILL BE CAUSE FOR REJECTION. REMOVE ALL BURRS AND SHARP EDGES							
1 TRU MODEL PROJECT NO. ASS'Y. NO. DATE USED ON							

1	TRU			3-7-57
REQ. PER UNIT	MODEL	PROJECT NO.	ASS'Y. NO.	DATE

163-7-57  
 A.J.J.  
 A-1394