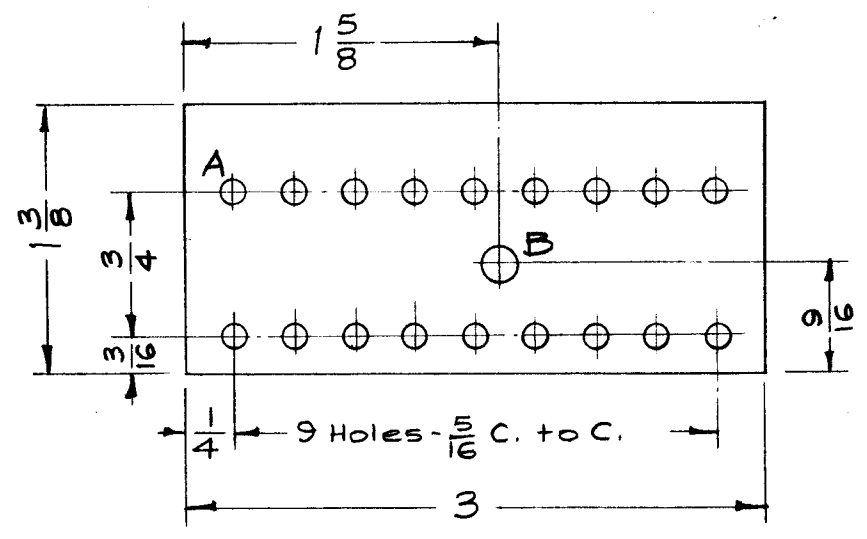
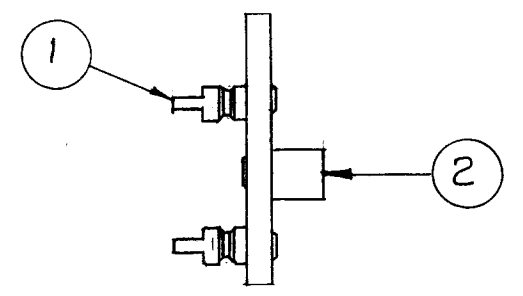


A-1527 C

A - No. 32 Dr. (.116) Diam. - 18 Req.  
 B - No. 12 Dr. (.189) Diam. - 1 Req.



STAGE 1 (MACHINING)

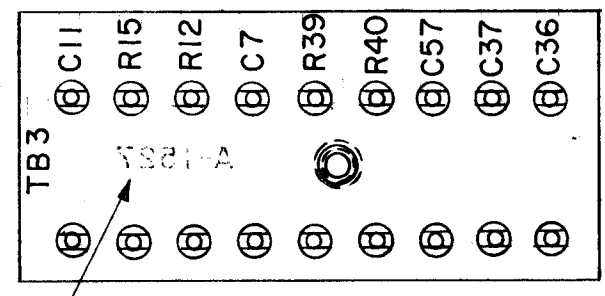


STAGE 2 (MECHANICAL ASS'Y)

NOTICE TO PERSONS RECEIVING THIS DRAWING  
 THE TECHNICAL MATERIEL CORPORATION claims proprietary right in the material disclosed hereon. This drawing is issued in confidence for engineering information only and may not be reproduced or used to manufacture anything shown hereon without permission from THE TECHNICAL MATERIEL CORPORATION to the user. This drawing is loaned for mutual assistance and is subject to recall at any time.  
 Property of:  
 THE TECHNICAL MATERIEL CORPORATION  
 MAMARONECK, NEW YORK

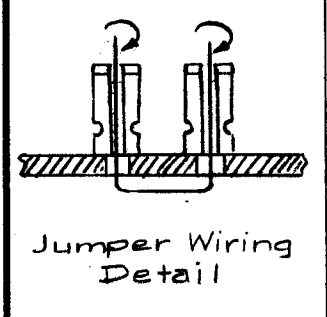
MARKING PROCESS: AS PER TMC SPECIFICATION S-727

1/8" high black Gothic



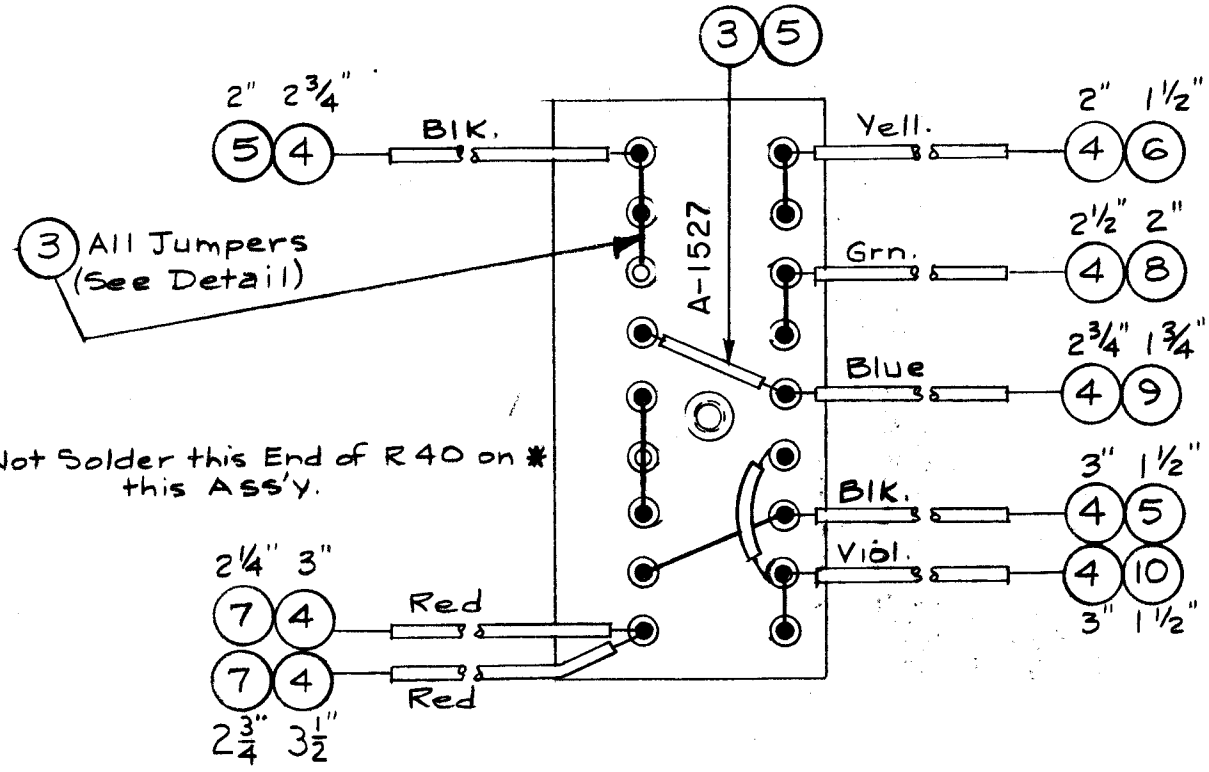
STAMP "A-1527" on rear

STAGE 3 (STAMPING)



- TB3
- C11
- R15
- R12
- C7
- R39
- R40
- C57
- C37
- C36

\*Do Not Solder this End of R40 on this Ass'y.



STAGE 4 (ELECTRICAL ASS'Y.)

X	17	BS-100	Solder, Soft	
2	16	RC20GF393K	Resistor, Fixed, Comp.	R40 R39
1	15	RC20GF221K	Resistor, Fixed, Comp.	R15
1	14	RC20GF223K	Resistor, Fixed, Comp.	R12
1	13	CM15F101G	Capacitor, Fixed, Ceramic	C37
3	12	CC-100-16	" " "	C36, 57, C11
1	11	CC21SL470K	" " "	C7
1 1/2"	10	PX-104-9-.034	Insulation, Sleeving (Size 20)	Violet
1 3/4"	9	PX-104-6-.034	" " "	Blue
2"	8	PX-104-4-.034	" " "	Green
5	7	PX-104-3-.034	" " "	Red
1 1/2"	6	PX-104-2-.034	" " "	Yellow
4"	5	PX-104-1-.034	Insulation, Sleeving (Size 20)	Black
X	4	WL-100-7	Wire, Buss (Size 22)	
X	3	WL-100-8	Wire, Buss (Size 24)	
1	2	TE-108-3	Standoff, Rivet Type	
18	1	TE-109-3	Terminal Lug	

ISSUE	ITEM	CHANGED FROM	DATE	CH. NO.	DRAFTS	CHECKER	ENG. APP.
C	2	JUMPERS MOVED FR TOP TO BOT JUMPER WIRING DETAIL REV	11.9.64	12840	hjb	@	[Signature]
B	1	IT.13 WAS CC-101-2	9.24.64	12416	hjb	@	[Signature]
A	2	STAGE 4 (4) 3-1/2 WAS 3					
A	1	STAGE 4 (1) 2-3/4 WAS 2 1/4	10/27/61	5775	GL	RLU	[Signature]

REQ. PER UNIT	MODEL	PROJECT NO.	ASS'Y. NO.	DATE
1	MSR-4			6-20-58
1	MSR-3			4-10-58

REQ. ITEM	PART NO.	DESCRIPTION	SYMBOL
1/8 Thk.		THE TECHNICAL MATERIEL CORP. MAMARONECK, NEW YORK	
STOCK SIZE		TERMINAL BOARD NO 3	
Phenolic		(All Stages)	
MATERIAL			
XXXXP Laminate		164-10-58	[Signature]
TYPE & TEMPER	HEAT TREAT. SPEC.	DRAWN	CHECKED
Natural		[Signature]	[Signature]
FINISH & SPEC. NO.		ELEC. DES. APP. MECH. DES. APP.	
		A-1527 C	

DEC. DIM. ±  
 FRAC. DIM. ± 1/64  
 ANGULAR DIM. ±

MAXIMUM ALLOWABLE TOLERANCES HAVE BEEN DETERMINED AND ANY DEVIATIONS WILL BE CAUSE FOR REJECTION. REMOVE ALL BURRS AND SHARP EDGES

REQ. PER UNIT

MODEL PROJECT NO. ASS'Y. NO. DATE

USED ON