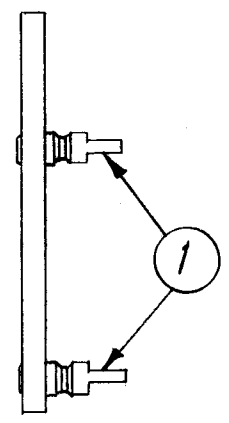


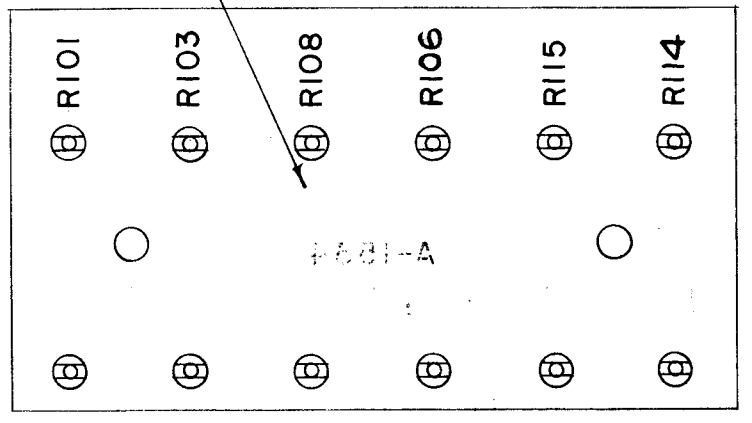
A- No. 32 Dr. (.116 D.) 12 Req. B- 1/64 (.171) D. 2 Req.

STAGE 1 (MACHINING)



STAGE 3 (MECHANICAL ASS'Y.)

Stamp "A-1534" on rear.



Lettering to be 1/8 high black Gothic.

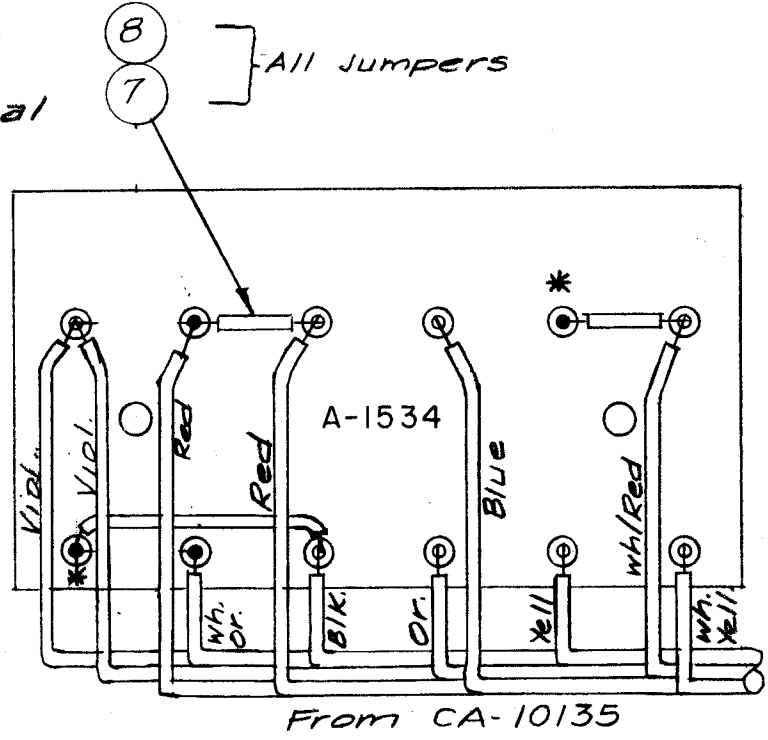
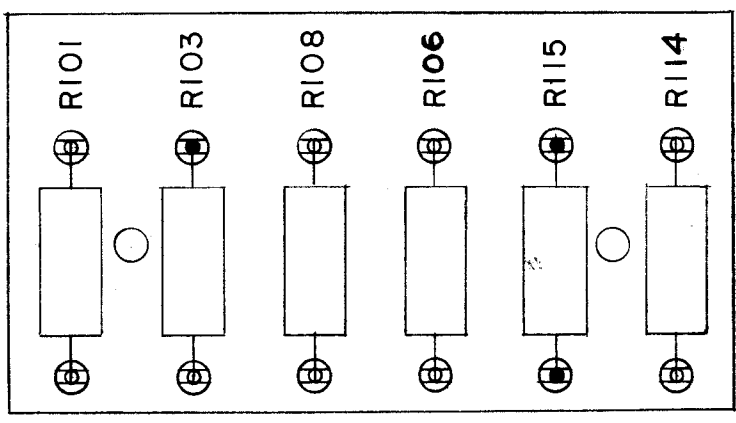
MARKING PROCESS: AS PER TMC SPECIFICATION S-727

STAGE 2 (STAMPING)

Note - On this Ass'y., Solder ONLY those connections marked "*". Cable connections and all other soldering must be done upon assembly of terminal board into the main unit.

NOTICE TO PERSONS RECEIVING THIS DRAWING
 THE TECHNICAL MATERIEL CORPORATION claims proprietary right in the material disclosed herein. This drawing is issued in confidence for engineering information only and may not be reproduced or used to manufacture anything shown herein without permission from THE TECHNICAL MATERIEL CORP. ORA-TION to the user. This drawing is loaned for mutual assistance and is subject to recall at any time.

Property of:
 THE TECHNICAL MATERIEL CORPORATION
 MAMARONECK, NEW YORK



STAGE 4 (ELECTRICAL ASS'Y.)

REQ.	ITEM	PART NO.	DESCRIPTION	SYMBOL
1	10	RW-107-11	Resistor, Fixed, W.W. (20Ω 5W)	R115
X	9	BS-100	Solder, Soft	
X	8	PX-104-1-.034	Insulation, Sleeving #20	BIK.
X	7	WL-100-7	Wire, BUSS #22	
1	6	RC42GF224K	Resistor, Fixed, Comp.	R114
1	5	RC42GF560K		R106
1	4	RC42GF474K		R108
1	3	RC42GF104K		R103
1	2	RC42GF222K	Resistor, Fixed, Comp.	R101
12	1	TE-109-3	Lug, Terminal	

ISSUE	ITEM	CHANGED FROM	DATE	CH. NO.	DRAFTS	CHECKER	ENG. APP.
B	1	DWG UPDATED	11/6/63	10321			
A	1	ITEM B WAS RC42GF120K	4/9/58	1	16		

REQ. PER UNIT	MODEL	PROJECT NO.	ASS'Y. NO.	DATE
1	PSP-350A			
1	PSP-350	PAL-350		5-9-58

TYPE & TEMPER	HEAT TREAT. SPEC.	DRAWN	CHECKED	FINAL APPROVAL
LE		16 5/9/58	Rpm	A.J.J.
NATURAL				

TOLERANCES
 DEC. DIM. ±
 FRAC. DIM. ± 1/64
 ANGULAR DIM. ±

SCALE:
 MAXIMUM ALLOWABLE TOLERANCES HAVE BEEN DETERMINED AND ANY DEVIATIONS WILL BE CAUSE FOR REJECTION.
 REMOVE ALL BURRS AND SHARP EDGES

USED ON

1/8 THK.
 STOCK SIZE
 LINEN BASE
 PHENOLIC
 MATERIAL
 THE TECHNICAL MATERIEL CORP.
 MAMARONECK, NEW YORK
 TERMINAL BOARD (ALL STAGES)
 TB-102
 FINISH & SPEC. NO. ELEC. DES. APP. MECH. DES. APP.