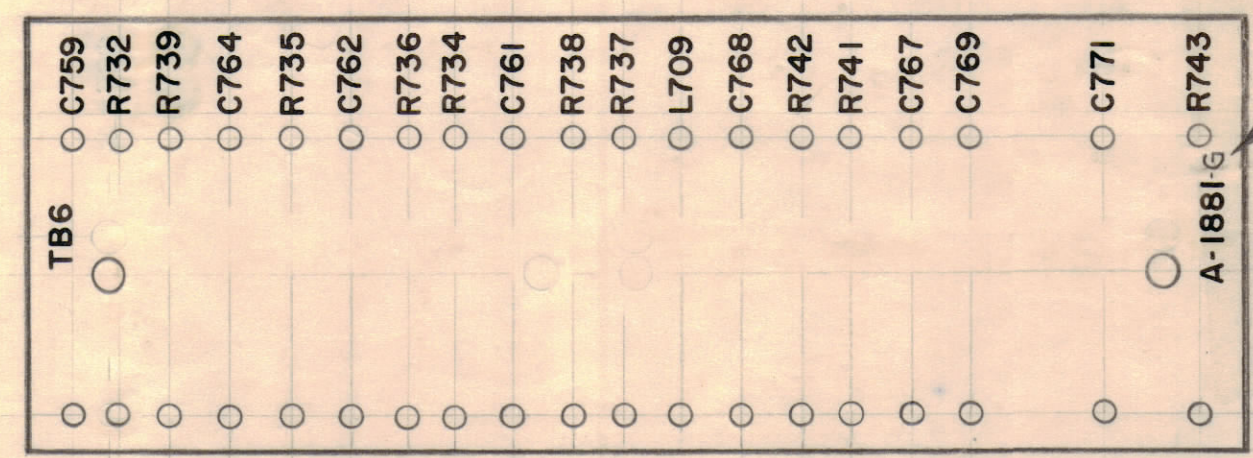
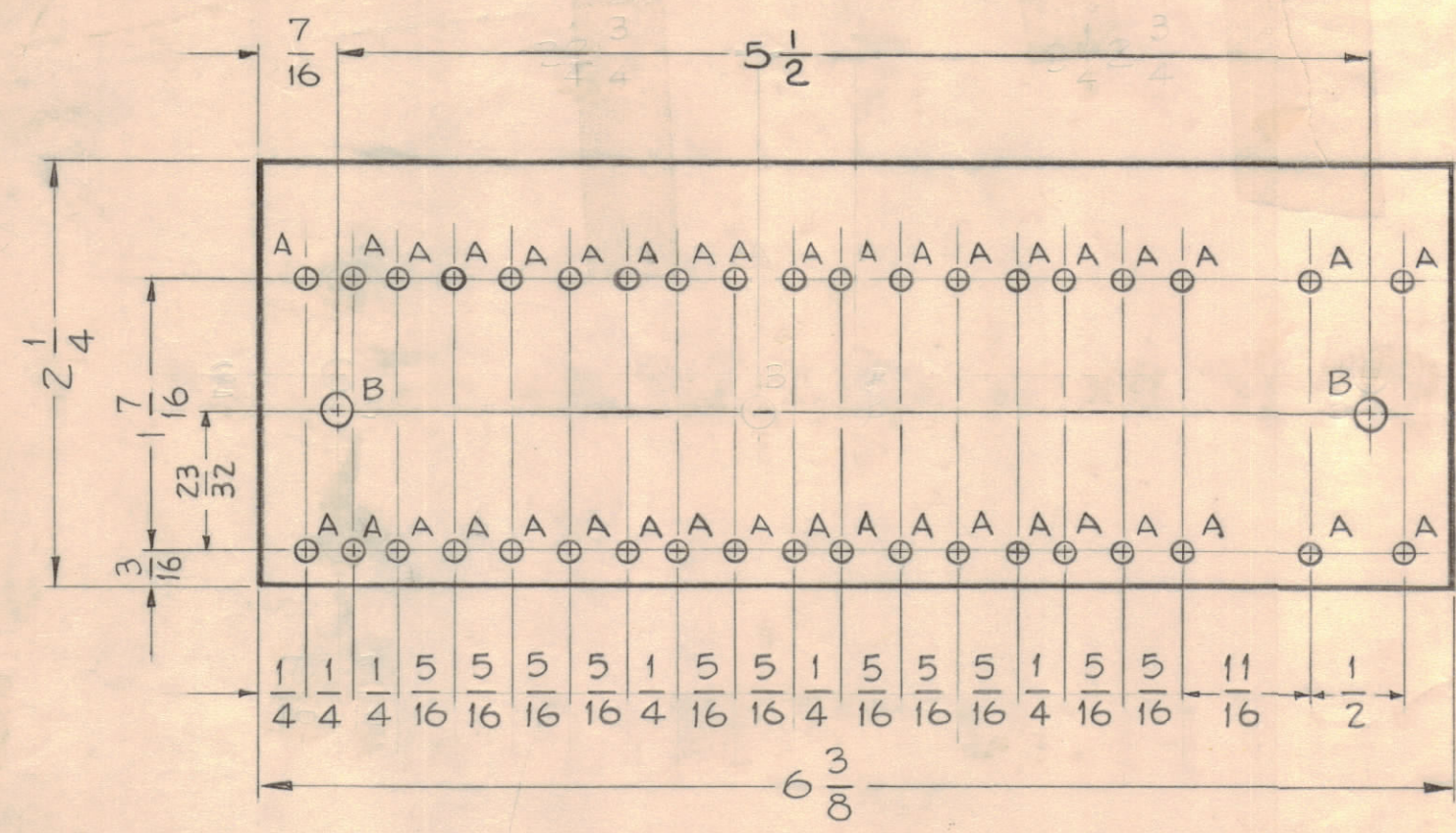


HOLES ~
 A ~ NO.32 DRILL(.116) DIA.
 B ~ 11/64 (.171) DIA.

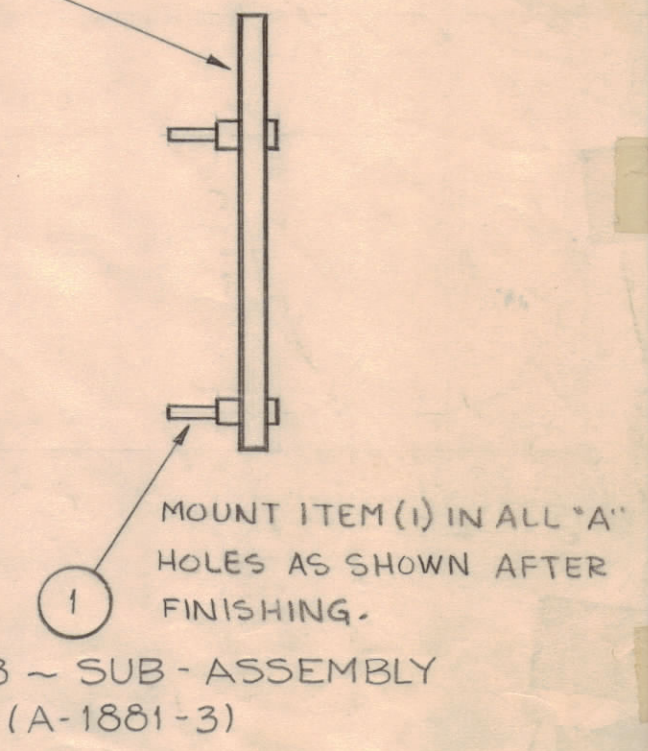
38 REQ.
 2

NOTE:
 REVISION LETTER TO BE
 HAND STAMPED

LETTERING ON
 THIS SIDE

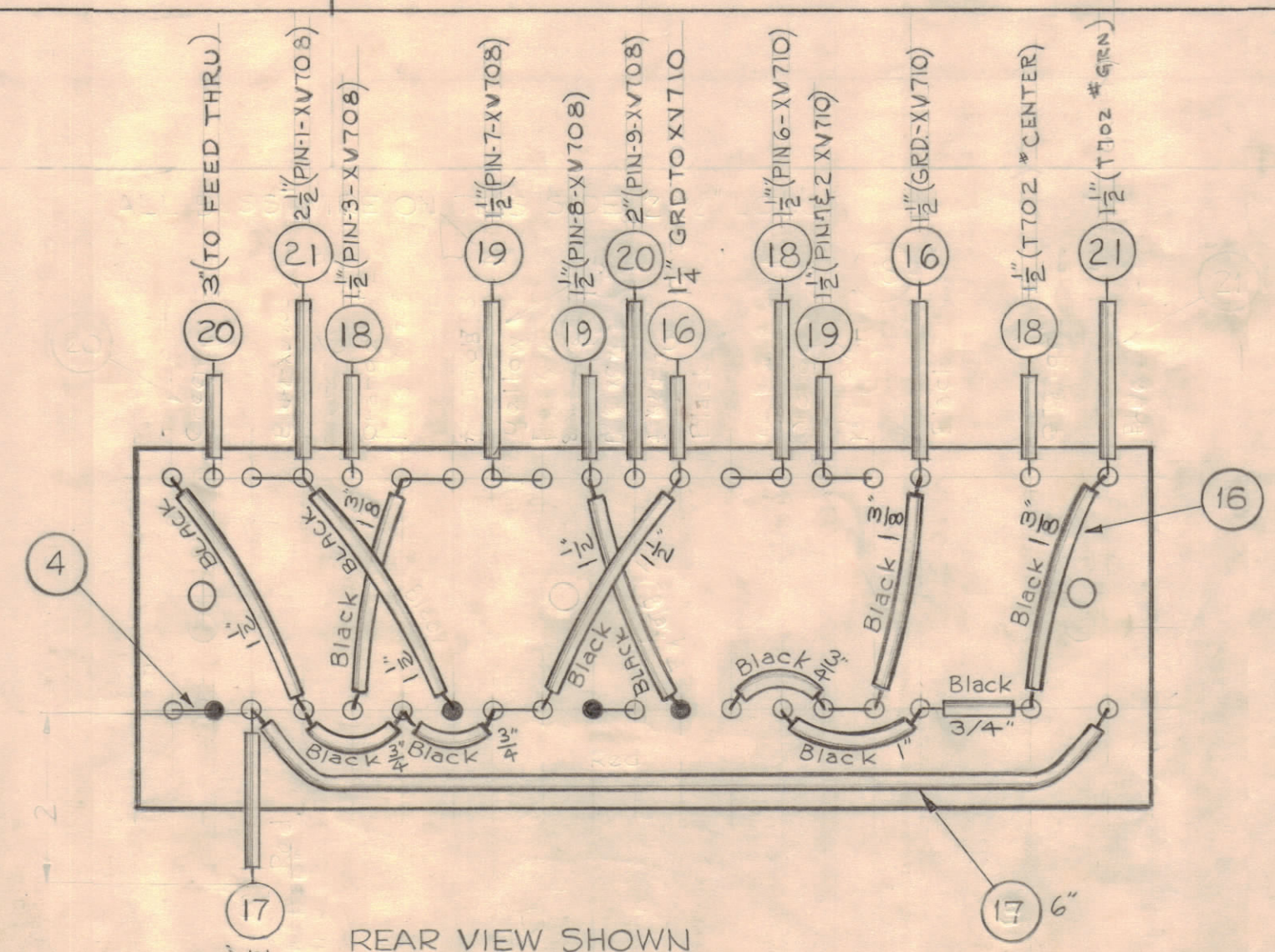


NOTE ~ ALL LETTERING 1/8" HIGH BLACK GOTHIC.
 MARKING PROCESS: AS PER TMC SPECIFICATION S-727
 STAGE 2 ~ LETTERING
 (A-1881-2)



MATERIAL - 1/8 NATURAL PHENOLIC, XXXP

STAGE 1 - MACHINE MACHINING
 (A-1881-1) A-1881-1



REAR VIEW SHOWN
 STAGE 4 ~ FINAL ASSEMBLY
 (A-1881-4)

NOTE ~ SLEEVING STAGGERED TO CLARIFY DIMENSIONING.
 (DO NOT SCALE)

● = DO NOT SOLDER

20 2'
 DENOTES LENGTH OF SLEEVING
 BUSS BAR TO BE 3/4" LONGER

1	22	RC20GF102J	RESISTOR, FIXED, COMP.	R732
X	21	PX104-6-034	INSULATION, SLEEVING	Blue
X	20	PX104-4-034		Green
X	19	PX104-2-034		Yellow
X	18	PX104-8-034		Orange
X	17	PX104-3-034		Red
X	16	PX104-1-034	INSULATION, SLEEVING	Black
1	15	CM30F272603	CAPACITOR	C771
6	14	CP106C403-4	CAPACITOR	C761, C762, C764 C767, C768, C769
1	13	CX105	CAPACITOR, TANTALUM	C759
1	12	RC42GF222J	RESISTOR, CARBON	R739
1	11	RC20GF473J		R738
1	10	RC20GF393J		R736
1	9	RC20GF331J		R734
1	8	RC20GF222J		R743
1	7	RC20GF151J		R741
1	6	RC20GF103J		R742
2	5	RC20GF101J	RESISTOR, CARBON	R735/R737
X	4	WL100-7	WIRE, BUSS BAR, TINNED	
X	3	BS100	SOLDER, SOFT	
1	2	CL100-5	COIL, R.F. FIXED	L709
38	1	TE109-3	LUG, SPLIT TERMINAL	A

SEE STAGE 1		THE TECHNICAL MATERIEL CORP.	
STOCK SIZE		MAMARONECK, NEW YORK	
SEE STAGE 1		ASSEMBLY, TERMINAL BOARD	
MATERIAL			
TYPE & TEMPER		John C. Biele	
HEAT TREAT. SPEC.		DRAWN	
FINISH & SPEC. NO.		ELEC. DES. APP.	
		MECH. DES. APP.	
		CHECKED	
		FINAL APPROVAL	
		A-1881	
		J	

J	CHG'D ALL RES. TOL. FR 1/4" TO 1/8"	10/18/66	17048	RME		
A	PT 15 WAS CM300272J	11/7/66	15567			
G	ONE "B" HOLE & LOC. DIMS. DELE.	1/28/65	13349	MB		
F	1/4" DIM. ADDED TO ITEM 16	1/2/64	10669			
E	H4 REVISION LETTER NOTE ADDED	3/26/63	8634			
D	B5 SOLDER NOTE ADDED	2/2/63	8122			
C	D82 ON ITEM 6 (2) WERE REQ. ITEM 22 ADDED	5-3-61	4802	FU		
B	D4 WIRE LENGTHS & DESIGNATIONS ADDED	8-31-60	2891	CS		
A	C2 ITEM 14 WAS CP-108-1					
A	D2 ITEM 15 WAS CM200E2500F	8/30/60	2881	CS		