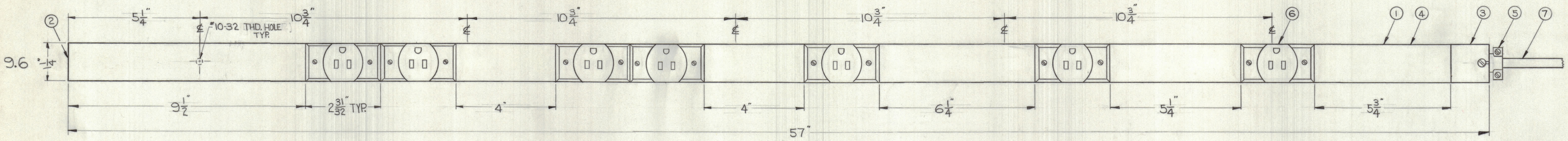
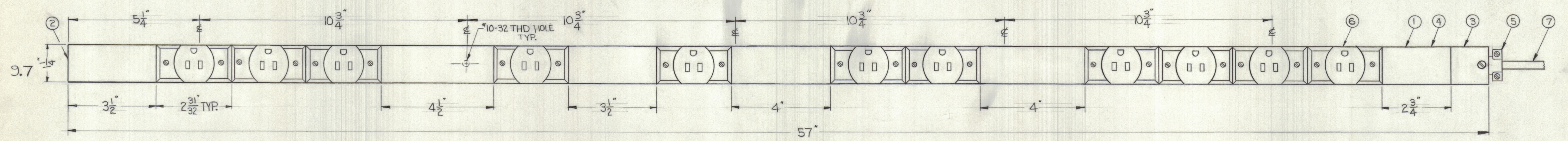


G

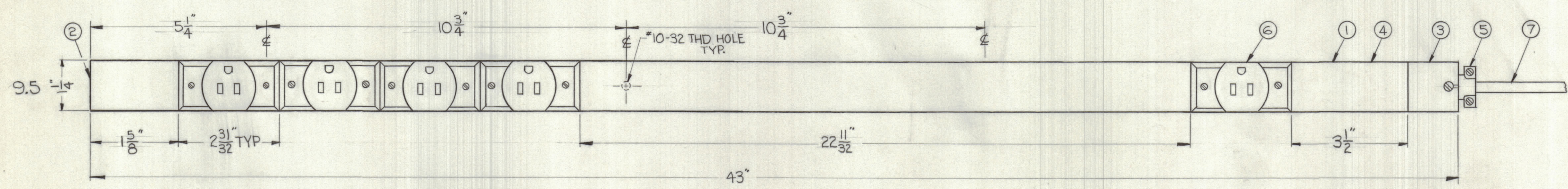


F

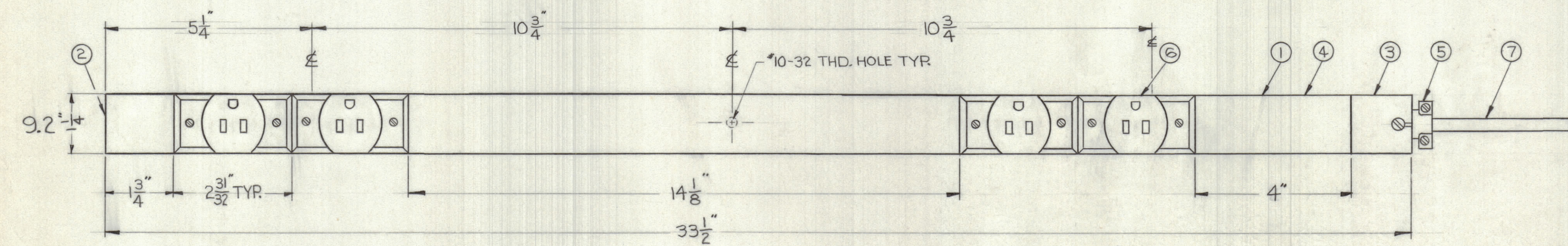
E



D



C



B

A-2407

WIRE MOLD PART NO.

7	WI-121-9	CABLE, 3 CONDUCTOR	
6	2127-GA	RECEPTACLES	
5	CU-113	CLAMP, CABLE	
4	PO-163	SEE DRAWING FOR LENGTHS	
3	PO-162	COVER CONNECTOR STRIP	
2	PO-161	END FITTING, CABLE ENTRY	
1	PO-160	END FITTING, BLANK	
		AC STRIP	

**NOTICE TO PERSONS RECEIVING THIS DRAWING**  
 THE TECHNICAL MATERIEL CORPORATION claims proprietary right to the material disclosed herein. This drawing is issued in confidence or engineering information only and may not be reproduced or used to manufacture anything shown herein without permission from THE TECHNICAL MATERIEL CORPORATION to the user. This drawing is loaned for mutual assistance and is subject to recall at any time.  
 Property of:  
 THE TECHNICAL MATERIEL CORPORATION  
 MAMARONECK, NEW YORK

DATE	10/69	CHECKER	CD
DESCRIPTION	ORIGINAL RELEASE FOR PRODUCTION		
SCALE	DO NOT SCALE		
DIMENSIONS ARE IN INCHES			
TOLERANCES ON			
FRACTIONS ± 1/64	DECIMALS ± .005	ANGLES ± 1/2°	
MAXIMUM ALLOWABLE TOLERANCES HAVE BEEN DETERMINED AND ANY DEVIATIONS WILL BE CAUSE FOR REJECTION. REMOVE ALL BURRS & SHARP EDGES			

REQ. PER UNIT	MODEL	SECTION	ASS'Y. NO.	DATE
	SYM2002-9,10,11			3-14-62
USED ON				

THE TECHNICAL MATERIEL CORP. MAMARONECK, NEW YORK			
ASSEMBLY AC STRIPS, VAN 109, 110 & 111			
DRAWN	CHECKED	FINAL APPROVAL	
R. J. Juchon		7/10/69	
FINISH & SPEC. NO.		ELEC. DES. APP.	MECH. DES. APP.
		A-2407	
SHEET		OF	

A