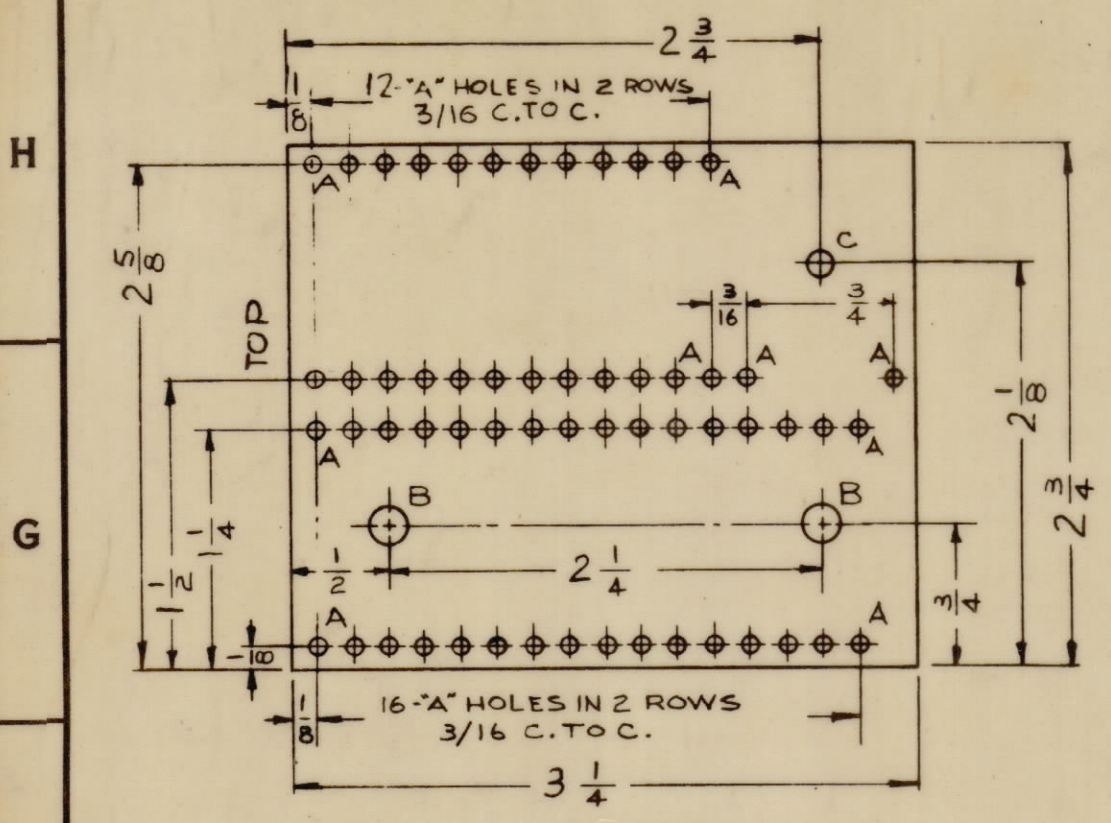
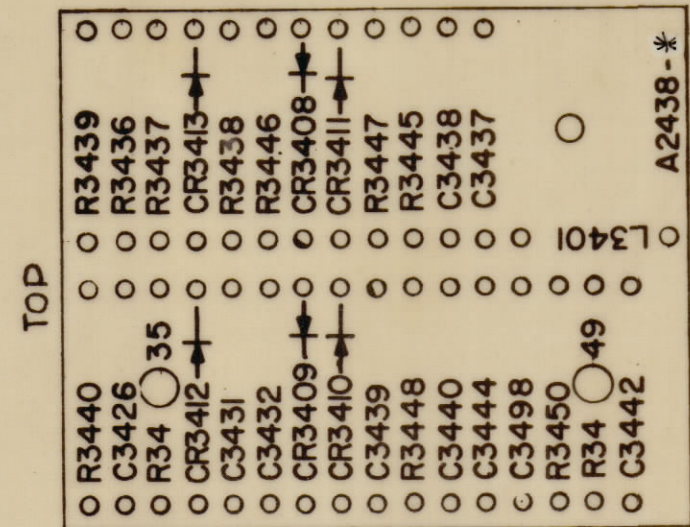


A-2438 N

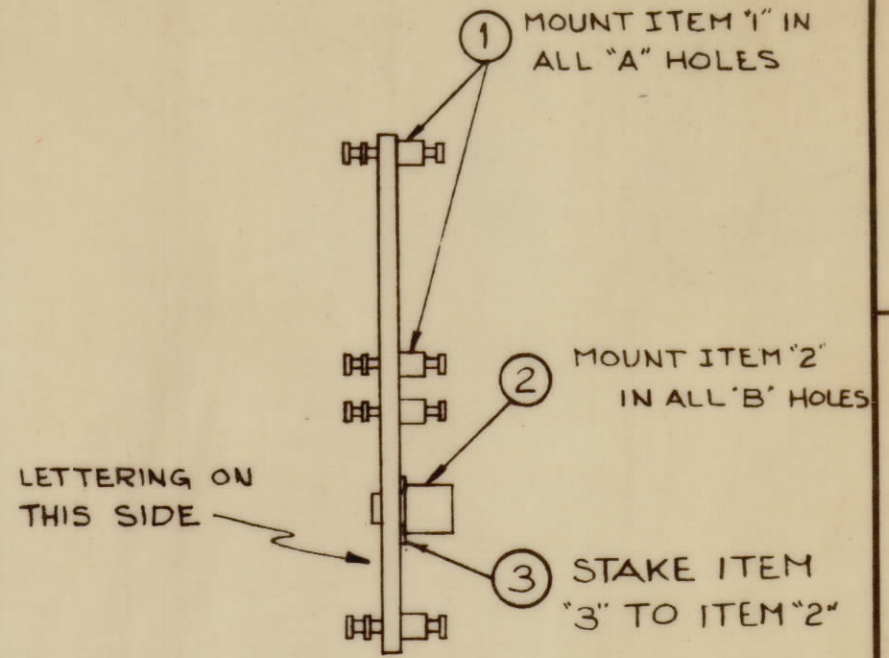
LEGEND		
HOLE	DESCRIPTION	REQ.
A	.078 DIA.	58
B	.189 DIA.	2
C	.128 DIA.	1



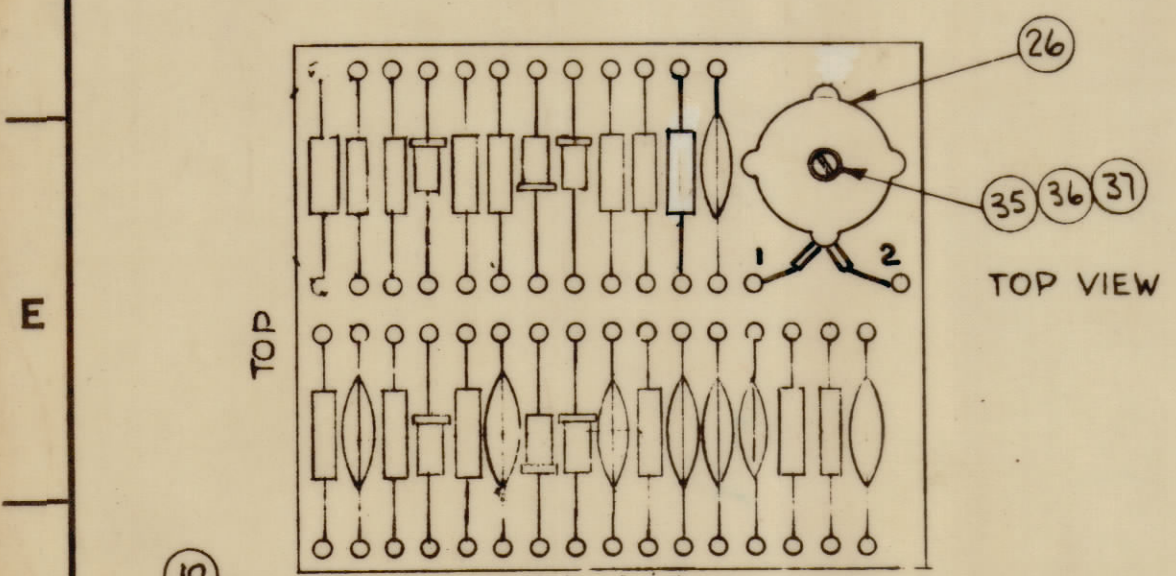
STAGE 1 - MACHINING (A-2438-1)
MATERIAL - 3/32 THK, XXXP PHENOLIC - FINISH, NATURAL



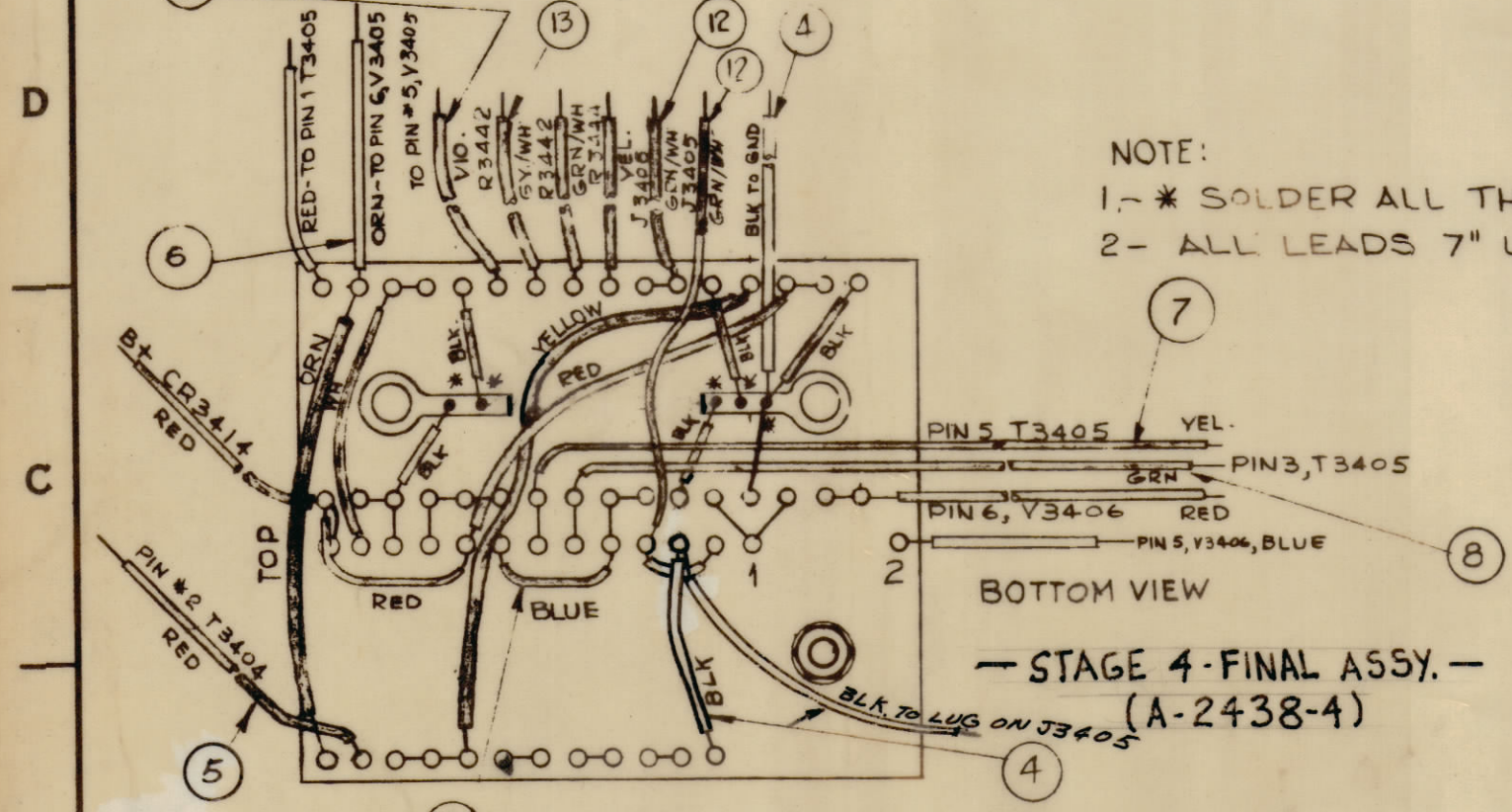
1/8 HIGH BLACK LUSTERLESS, GOTHIC LETTERING.
MARKING PROCESS: AS PER TMC SPECIFICATION S-727
STAGE 2 - LETTERING (A-2438-2)



STAGE 3 - SUB ASSY. (A-2438-3)



TOP VIEW



— STAGE 4 - FINAL ASSY. —
(A-2438-4)

NOTE:
1 - * SOLDER ALL THESE CONNECTIONS
2 - ALL LEADS 7" UNSTRIPPED.

REQ.	ITEM	PART NO.	DESCRIPTION	SYMBOL
1	37	SC-143-0440B12	SCREW, NYLON	
1	36	NT-137-0440	NUT, HEX, NYLON	
1	35	FW-101-1	FLATWASHER, NYLON	
1	34	CC100-35	CAPACITOR, FIXED, MICA .02 uf	C3444
1	33	CNI12A-254M1	CAPACITOR, FIXED	C3438
+	32	"	"	
1	31	CC-100-28	CAPACITOR, FIXED, CERAMIC	C3437
3	30	CC-100-24	CAPACITOR, FIXED, CERAMIC	
1	29	CC-100-16	CAPACITOR, FIXED, CERAMIC	C3498
X	28	BS-100	SOLDER, SOFT	
+	27	"	DELETED	
1	26	CL-287-1	COIL, FIXED, RF	L3401
2	25	IN463	SILICON RECTIFIER	CR3412 CR3413
4	24	IN3070	DIODE	
+	23	"	DELETED	
2	22	RC20GF 334K	RESISTOR, FIXED, COMPOSITION, 330K	R3438
1	21	332K		3.3K R3440 R3430
3	20	223K		22K
2	19	222K		2.2K R3446 R3447
1	18	182K		1.8K R3445
1	17	104K		100K R3436
1	16	105K		1M R3435
1	15	RC20GF 103K	RESISTOR, FIXED, COMPOSITION 10K	R3448
3	14	CM15B050J	CAPACITOR, FIXED, MICA	
	13	MWC 22(7) D98	WIRE, ELECTRICAL	WH /GY
	12	U95		WH /GRN
	11			
	10	U7		VIOLET
	9	U6		BLUE
	8	U5		GRN
	7	U4		VEL
	6	U3		ORN
	5	U2		RED
4	MWC 22(7) UO	WIRE, ELECTRICAL		BLK
2	3	TE-116-3	LUG, SOLDER	
2	2	TE-108-3	STANDOFF, RIVET TYPE	
58	1	TE-168-4-C	TERMINAL, MINIATURE	

SYM	ZONE	DESCRIPTION	DATE	CH. NO.	DRAFTS	CHECKER	ENG. APP.
N		C3438 & C3440 JUMPER DEL. ADD LEAD C3442	11/11/66	1977			
M		STAGE 2: LINE DEL. 2 GRN. LUGS DEL. 139 WAS CM112E621K35; IT. 24 WAS IN100	4-12-65	13868	9/2		
L	D2		2.4.65	13417	5/8		
K	CT, 6	ON STAGE 4 JUMPERS & WIRES RELAT. TO C3440 REVISED	10.13.64	12567	5/8		
J		UPDATED PER ENN. 10244	10-28-63	10244			
H	B2	ITEM 1: 58 REQ WAS 56 REQ.	10/1/63	10158			
G	D5	NOTE 2 ADDED	7-3-63	9426			
F	G2	REVISION LETTER NOTE ADDED TO STAGE 2	3-26-63	8635			
E	F2, E2	ITEM (27) WAS CC-215L020D; C3439 ADDED TO ITEM (14) ITEMS (35) TO (37) ADDED; ITEM (26) WAS CL-287	3-4-63	8338			

UNLESS OTHERWISE SPECIFIED:
DIMENSIONS ARE IN INCHES
TOLERANCES ON FRACTIONS ± 1/64 DECIMALS ± .005 ANGLES ± 1/2°
SCALE DO NOT SCALE
MAXIMUM ALLOWABLE TOLERANCES HAVE BEEN DETERMINED AND ANY DEVIATIONS WILL BE CAUSE FOR REJECTION. REMOVE ALL BURRS & SHARP EDGES

REQ. PER UNIT	MODEL	SECTION	ASSY. NO.	DATE
1	HFS-1	3400		4-11-62

REQ.	ITEM	PART NO.	DESCRIPTION	SYMBOL
STROMMER				
THE TECHNICAL MATERIEL CORP. MAMARONECK, NEW YORK				
TERMINAL BOARD & COMPONENT ASSY. BALANCED MODULATOR (3400 DECK)				
DRAWN		CHECKED		FINAL APPROVAL
G. Swan		D. M. C.		
A-2438		A-2438		

Proprietary right in the material of this drawing is reserved. This drawing is issued in confidence for the machine information only and may not be reproduced or used to manufacture any part shown hereon without permission of THE TECHNICAL MATERIEL CORPORATION. If you are a customer of this drawing is loaned for mutual assistance and is not to be used for recall at any time.
Property of:
THE TECHNICAL MATERIEL CORPORATION
MAMARONECK, NEW YORK