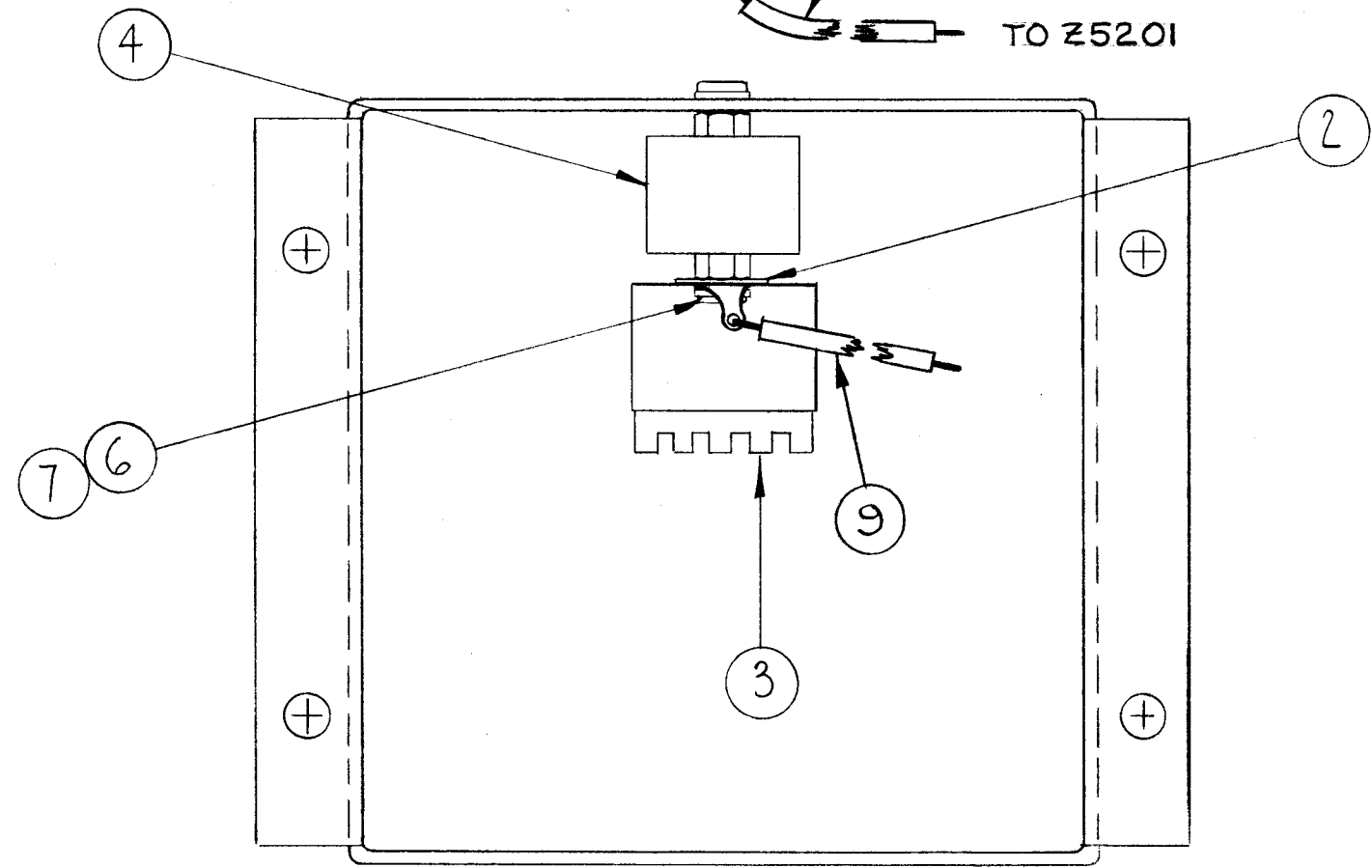
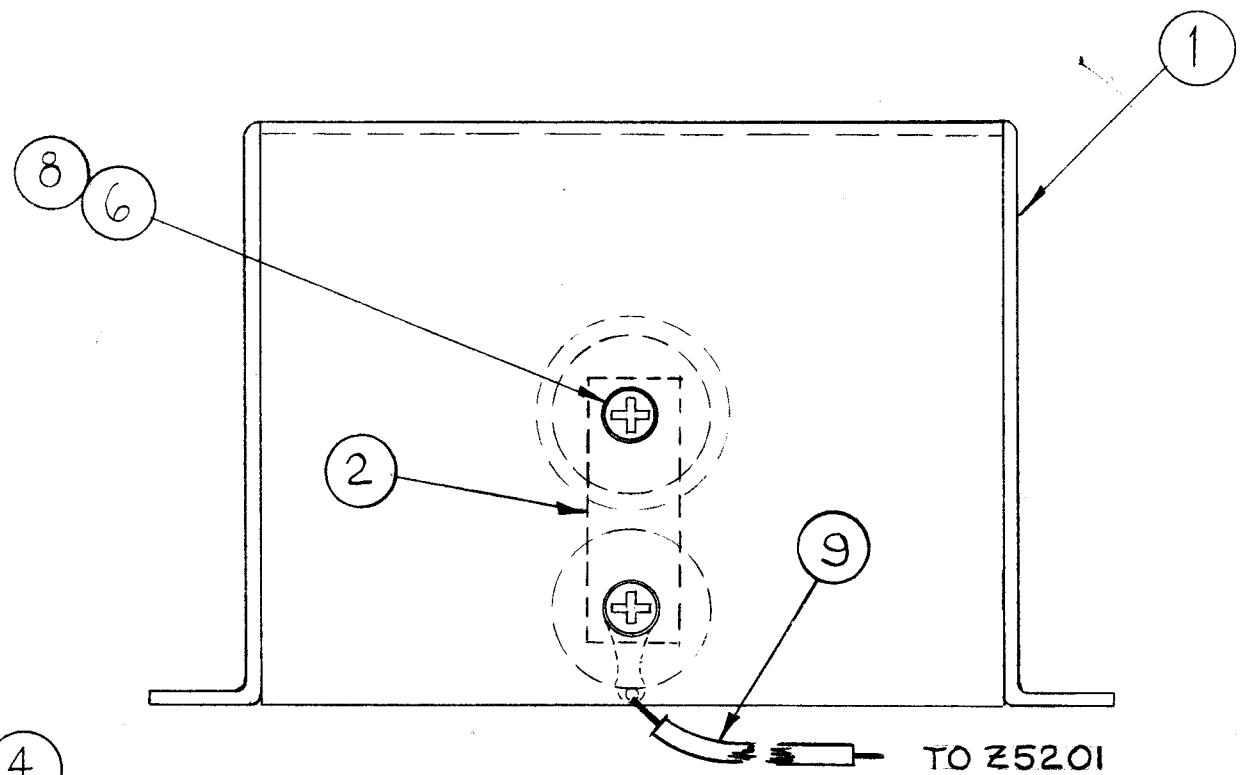


A-2817

A

REVISIONS

SYM	DESCRIPTION	DATE	E.M.N. NO.	DRAFT	CHKD	APPD
X1	DRAWING WAS A-3466	4-6-64				
0	ORIGINAL RELEASE FOR PRODUCTION	5-18-64		SRG		
A	ITEM 9 ADD. TO PICT. & B/M., IT. 5 DELETED ITEM 6 WAS LWIO6LRN	7.16.64	11763	ASB	ASB	ASB



REQ'D.	ITEM	PART NUMBER	DESCRIPTION	SYMBOL
1	9	CA412-56-6.50	LEAD, ELECTRICAL	
2	8	SCBPO632BN5	SCREW, MACHINE	
2	7	SCBPO632BN4	SCREW, MACHINE	
4	6	LWIO6MRN	LOCKWASHER, INTERNAL	
	5			
2	4	CC 109-38	CAPACITOR, FIXED CERAMIC	
1	3	A 3218	ASS'Y, CONTACT ELECTRICAL	
1	2	MS 3284-10	STRAP, CONNECTING	
1	1	MS 3214	CHASSIS, METERING CIRCUIT MTG.	

REQ'D.	ITEM	PART NUMBER	DESCRIPTION	SYMBOL
--------	------	-------------	-------------	--------

F. BUDETTI

LIST OF MATERIAL

MATERIAL THE TECHNICAL MATERIEL CORP.
MAMARONECK, NEW YORK

FINISH TITLE
METER CIRCUIT ASS'Y (PLATE)

UNLESS OTHERWISE SPECIFIED DIMENSIONS ARE IN INCHES AND INCLUDE CHEMICALLY APPLIED OR PLATED FINISHES		DRAWN W. A. FRANCO	DATE 10-21-63	FINAL APPROVAL	DATE
DECIMALS .X ± .05 .XX ± .01 .XXX ± .005	TOLERANCES	CHECKED aa	DATE	DATE 3/18/64	DATE
FRACTIONS ± 1/64 ANGLES ± 0° 30'		ELECT. DES. OB	DATE 7/16/64	A-2817	A
		MECH. DES. ML	DATE	SHEET	REV. LTR.

1	GPT-200K	AX-395
Q'TY./UNIT	MODEL USED ON	ASS'Y. NO.
SCALE	CODE	
THE CONTENTS OF THIS DRAWING ARE THE EXCLUSIVE PROPERTY OF THE TECHNICAL MATERIEL CORP. ITS UNAUTHORIZED USE OR REPRODUCTION IN WHOLE OR IN PART IS STRICTLY FORBIDDEN.		

NOTES