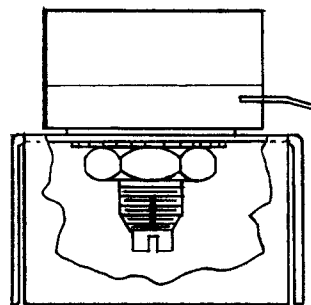
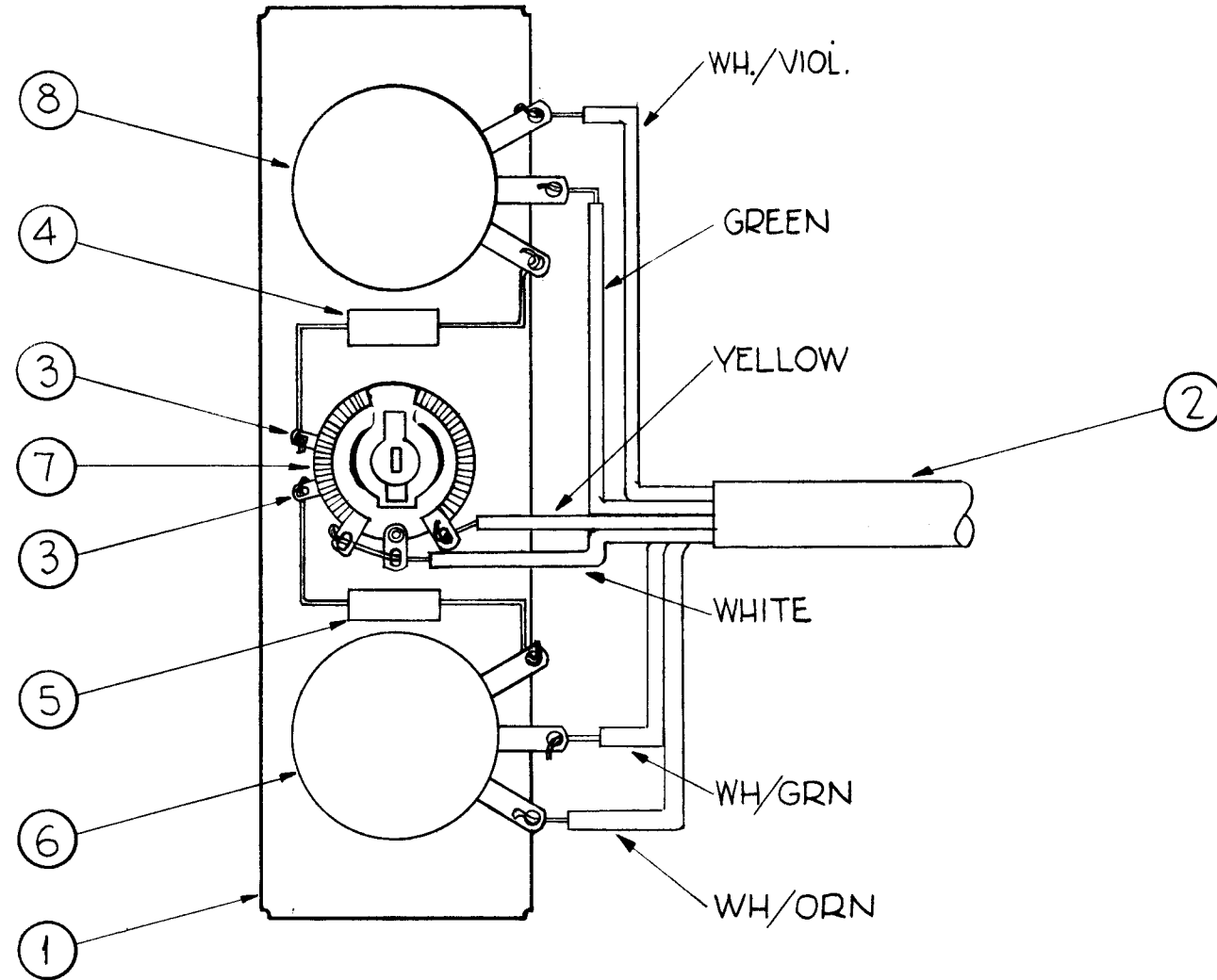


A-3008 B



X	9	BS-100	Solder, Soft	
1	8	RV4LAYS103A	Resistor, Variable	R703
1	7	RP100XA150K	" "	R722
1	6	RV4LAYS253A	Resistor, Variable	R716
1	5	RC42GF273J	" , Fixed	R718
1	4	RC42GF103J	Resistor, Fixed	R704
2	3	TE-104-5	Lug, Solder	
1	2	CA-626	Cable, Potentiometer Ass'y.	
1	1	MS-2606	Sub-Chassis, Potentiometer Ass'y.	

REQ.	ITEM	PART NO.	DESCRIPTION	SYMBOL
THE TECHNICAL MATERIEL CORP. MAMARONECK, NEW YORK				
POTENTIOMETER ASS'Y.				
MATERIAL				
STOCK SIZE				
FINISH & SPEC. NO.				
TYPE & TEMPER		HEAT TREAT. SPEC.	DRAWN	CHECKER
			RK	
FINISH & SPEC. NO.		ELEC. DES. APP.	MECH. DES. APP.	

B	IT 6 WAS RV4ATXA253A. IT 8 WAS RV4ATXA103A. CHGD "H" TO "A" IT. 7	12-9-66	17433	RME	CB	RK
A	Item # 8 WAS RV4ATXA103K Item # 6 WAS RV4ATXA253K	7-26-61	5334	JAM	CB	RK
SYM	DESCRIPTION	DATE	CH. NO.	DRAFTS	CHECKER	ENG. APP.
UNLESS OTHERWISE SPECIFIED: DIMENSIONS ARE IN INCHES TOLERANCES ON FRACTIONS ± 1/64 DECIMALS ± .005 ANGLES ± 1/2°		SCALE: _____		MAXIMUM ALLOWABLE TOLERANCES HAVE BEEN DETERMINED AND ANY DEVIATIONS WILL BE CAUSE FOR REJECTION. REMOVE ALL BURRS AND SHARP EDGES		
		PS-4A		6-12-61		
		REQ. PER UNIT	MODEL	SECTION	ASS'Y. NO.	DATE
		USED ON				