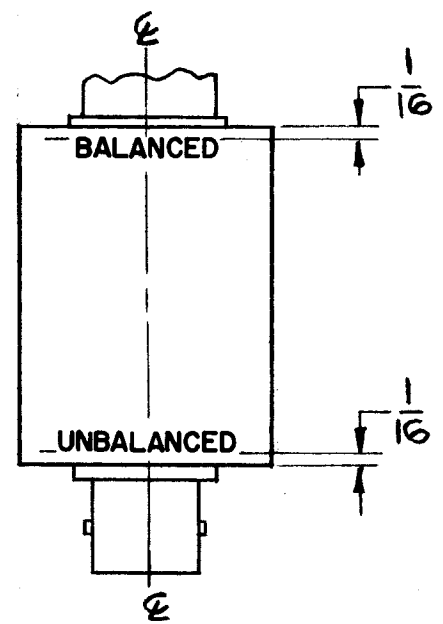
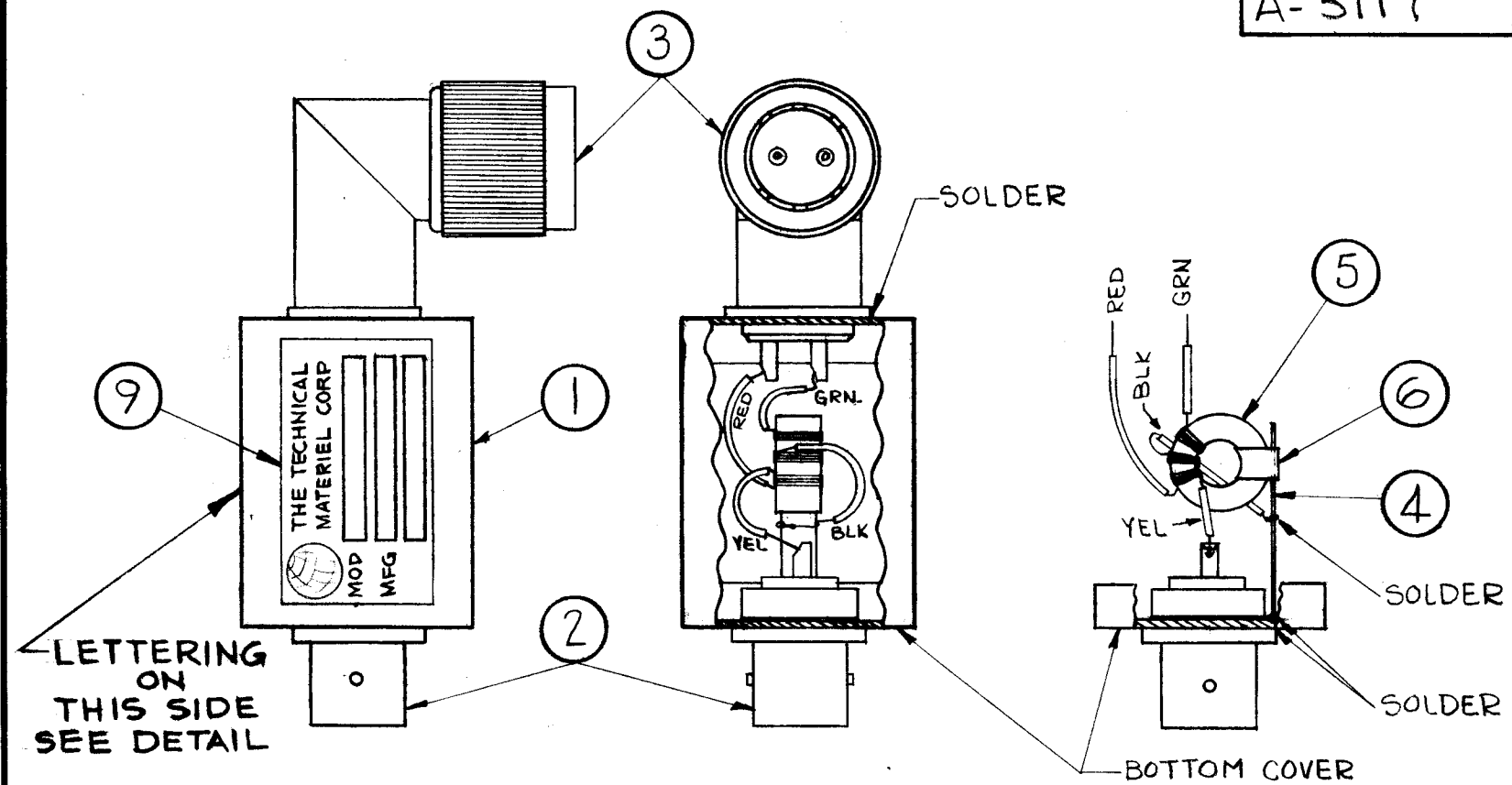


A-3117

REVISIONS

SYM	DESCRIPTION	DATE	E.M.N. NO.	DRAFT	CHKD	APPD



LETTERING DETAIL  
1/8 HIGH, BLACK, GOTHIC LETTERING AS SHOWN

SPECIFICATIONS

- 1~ SOLDER ITEM 3 (CONNECTOR, RECEPTACLE) TO TOP COVER AS SHOWN.
- 2~ SOLDER ITEM 2 AND ITEM 4 TO BOTTOM COVER AS SHOWN.
- 3~ ASSEMBLE ITEM 5 TO BOTTOM COVER SUB-ASSEMBLY WITH ITEM 6 AS SHOWN.
- 4~ YELLOW LEAD TO ITEM 2, SOLDER BLACK LEAD TO ITEM 4 AS SHOWN.
- 5~ SOLDER BOTTOM COVER SUB-ASSEMBLY IN CASE AS SHOWN.
- 6~ TEST: FOR CONTINUITY.
- 7~ FILL CASE WITH ITEM 7 TO WITHIN APPROX. 1/2" OF TOP OF CASE.
- 8~ CAUTION: RED AND GREEN LEADS FROM ITEM 5 SHOULD BE LEFT LONG ENOUGH TO ASSEMBLE AND SOLDER TO ITEM 3.
- 9~ SOLDER TOP COVER SUB-ASSEMBLY TO CASE AS SHOWN.

SPECS. CON'T.

- 10~ FINISH:
  - A~ PRIME: S114-ZINC CHROMATE PRIMER.
  - B~ PAINT: S115-SMOOTH GRAY ENAMEL (AIR DRY).
 CAUTION: PAINT CASE ONLY.
- 11~ AFFIX ITEM 9 AND STAMP AS SHOWN. (SEE LETTERING DETAIL)
- 12~ TEST. AS PER S-744

**NOT TO BE RELEASED  
W/O AUTHORIZATION**  
  
 AUTH. BY.....  
 DATE:.....

RBT-6		
Q'TY./UNIT	MODEL USED ON	ASS'Y. NO.
SCALE	CODE	

NOTES

THE CONTENTS OF THIS DRAWING ARE THE EXCLUSIVE PROPERTY OF THE TECHNICAL MATERIEL CORP. ITS UNAUTHORIZED USE OR REPRODUCTION IN WHOLE OR IN PART IS STRICTLY FORBIDDEN.

REQ'D.	ITEM	PART NUMBER	DESCRIPTION	SYMBOL
1	9	NP-492	IDENTIFICATION, NAMEPLATE	
X	8	BS-100	SOLDER, SOFT	
X	7	GL-106	POTTING COMPOUND (PLASTIC)	
X	6	TA-105-1	TAPE, MASKING	
1	5	A-1082	TRANSFORMER, SUB-ASSY	
1	4	TE-111-3	LUG, SOLDER	
1	3	JJ-279	CONNECTOR, RECEPTACLE	
1	2	JJ-202	CONNECTOR, RECEPTACLE, TYPE "C"	
1	1	BX-201	CASE AND COVERS	

A. MARTINE NGO		LIST OF MATERIAL			
MATERIAL		THE TECHNICAL MATERIEL CORP. MAMARONECK, NEW YORK			
FINISH		TITLE FINAL ASSEMBLY, RBT-6			
UNLESS OTHERWISE SPECIFIED DIMENSIONS ARE IN INCHES AND INCLUDE CHEMICALLY APPLIED OR PLATED FINISHES		DRAWN <i>G. Jensen</i>	DATE 1-28-63	FINAL APPROVAL <i>BP</i>	DATE
DECIMALS .X ± .05 .XX ± .01 .XXX ± .005		TOLERANCES	FRACTIONS ± 1/64 ANGLES ± 0° 30'	CHECKED <i>J. De</i>	DATE 2-12-63
ELECT. DES.		MECH. DES.	DATE 2/12/63	SHEET A-3117	REV. LTR.