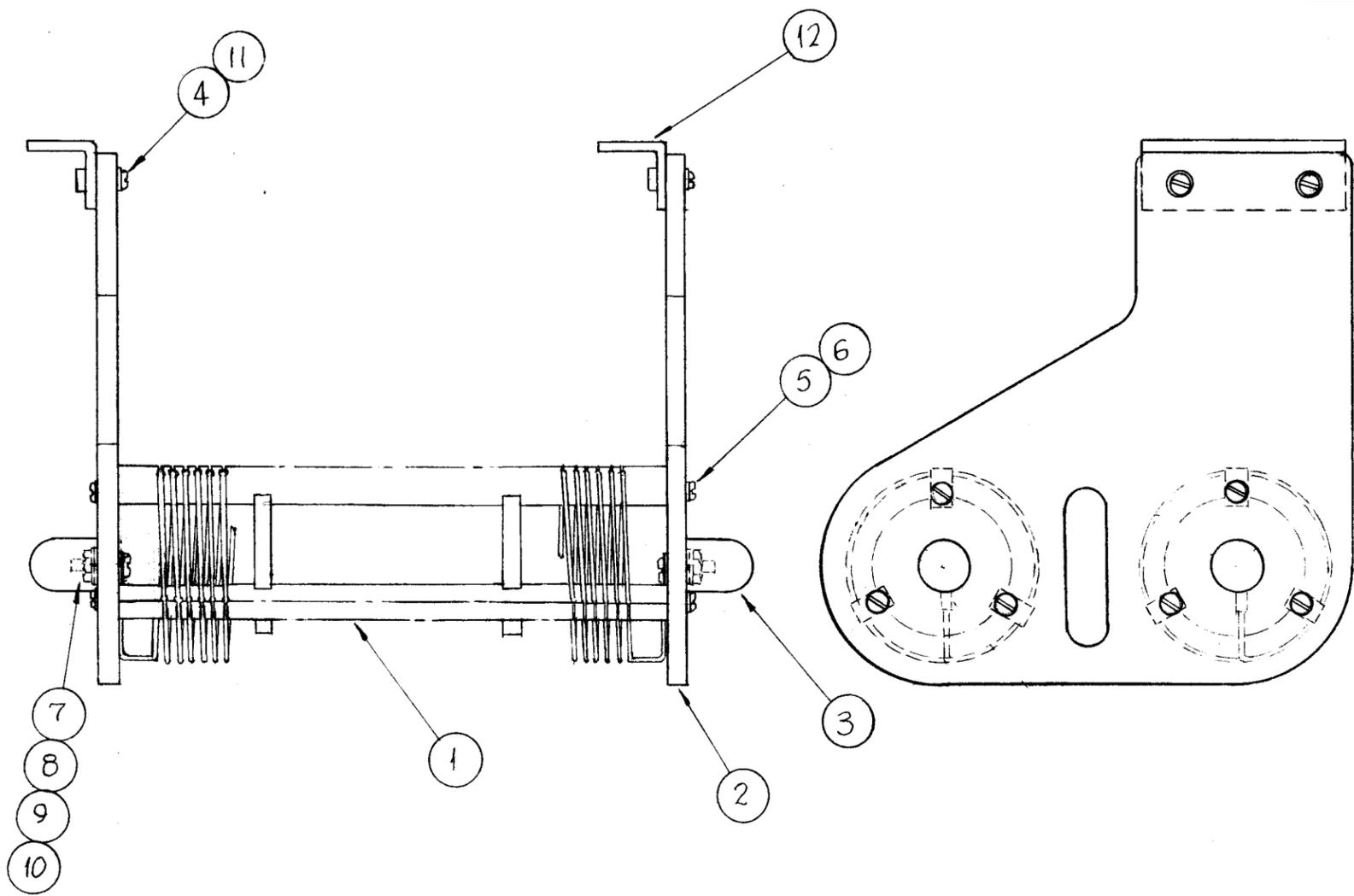


A
A-3163



REVISIONS

SYM	DESCRIPTION	DATE	E.M.N. NO.	DRAFT	CHKD	APPD
0	ORIGINAL RELEASE FOR PRODUCTION	5-18-64		SRG		
A	ITEM 8 WAS FW25 LBN	7.16.64	11763	WJB		

2	12	MS 3328	BRACKET, SUPPORT COIL
4	11	SCBP832 BN 8	SCREW, MACHINE
4	10	NTH 2520 BN 14	NUT, HEX
4	9	LWS 25MRN	LOCKWASHER, SPLIT
8	8	FW25HBN	WASHER, FLAT
4	7	SCBP 2520 BN 14	SCREW, MACHINE
12	6	SC 143-0632 B10	SCREW, MACHINE (NYLON)
12	5	FW101-1	WASHER, FLAT (NYLON)
4	4	LWS08MRN	LOCKWASHER, SPLIT
4	3	NT 141-2	NUT, CAP
2	2	PX 722	BOARD, SUPPORT COIL
2	1	CL 314	COIL, R.F.

REQ'D.	ITEM	PART NUMBER	DESCRIPTION	SYMBOL
--------	------	-------------	-------------	--------

F. BUDETTI LIST OF MATERIAL

MATERIAL	THE TECHNICAL MATERIEL CORP. MAMARONECK, NEW YORK		
FINISH	TITLE CL-314 ASS'Y		

UNLESS OTHERWISE SPECIFIED DIMENSIONS ARE IN INCHES AND INCLUDE CHEMICALLY APPLIED OR PLATED FINISHES		DRAWN SRG	DATE 8-29-63	FINAL APPROVAL RDL	DATE
DECIMALS .X ± .05 .XX ± .01 .XXX ± .005		CHECKED ad	DATE	DATE 3/19/64	DATE
FRACTIONS ± 1/64 ANGLES ± 0° 30'		ELECT. DES. SRG	DATE 3/18/64	A-3163	A
TOLERANCES		MECH. DES. WJB	DATE	SHEET	REV. LTR.

1	GPT-200 K	AX-395
Q'TY./UNIT	MODEL USED ON	ASS'Y. NO.
SCALE 1/2	CODE	
THE CONTENTS OF THIS DRAWING ARE THE EXCLUSIVE PROPERTY OF THE TECHNICAL MATERIEL CORP. ITS UNAUTHORIZED USE OR REPRODUCTION IN WHOLE OR IN PART IS STRICTLY FORBIDDEN.		

NOTES