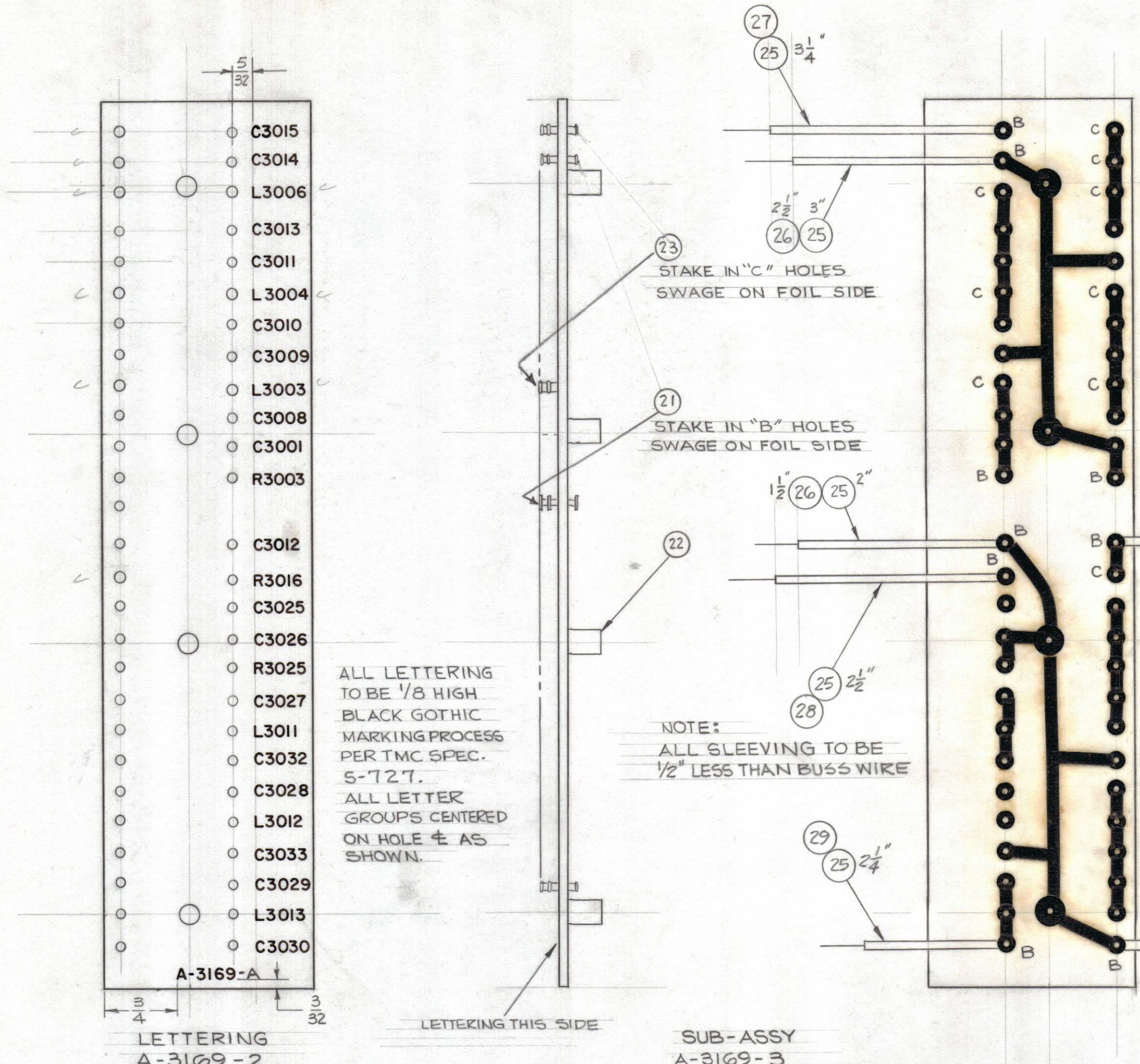


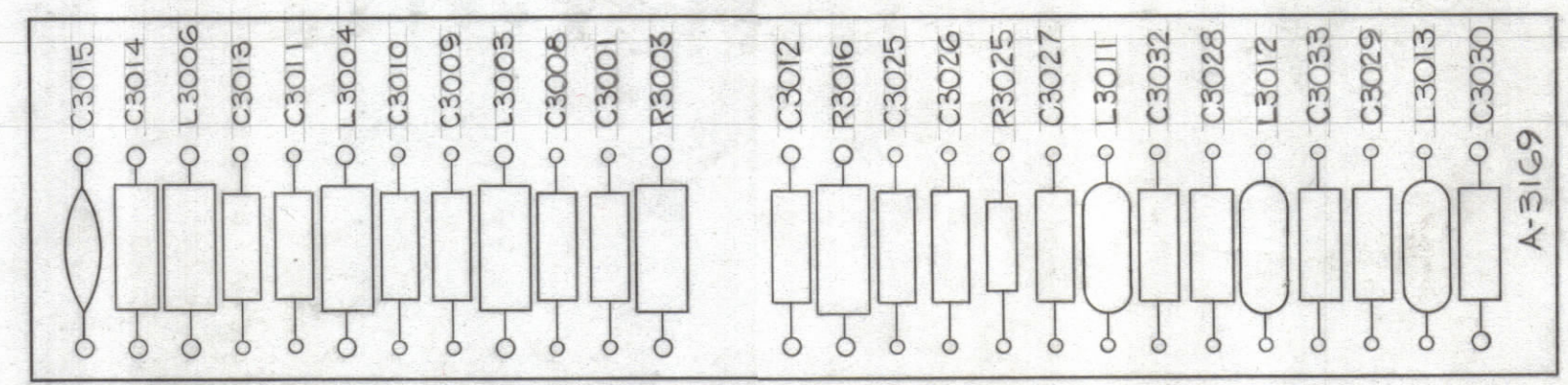
REVISIONS					
ZONE	SYM	DESCRIPTION	DATE	E.M.N. NO.	APPD
-	A	SHEET 2 OF 2 REDRAWN WITH REVISIONS & DELETIONS (ORG. LOST)	1/16/64	10561	[Signature]



ALL LETTERING TO BE 1/8 HIGH BLACK GOTHIC MARKING PROCESS PER TMC SPEC. 5-727. ALL LETTER GROUPS CENTERED ON HOLE ϕ AS SHOWN.

- C3015
- C3014
- L3006
- C3013
- C3011
- L3004
- C3010
- C3009
- L3003
- C3008
- C3001
- R3003
- C3012
- R3016
- C3025
- C3026
- R3025
- C3027
- L3011
- C3032
- C3028
- L3012
- C3033
- C3029
- L3013
- C3030

REQ'D.	ITEM	PART NUMBER	DESCRIPTION	SYMBOL
1"	30	PX-104-3-034	INSULATION SLEEVING	RED
1 3/4"	29	PX-104-4-034		GRN
2"	28	PX-104-6-034		BLU
2 3/4"	27	PX-104-2-034		YEL
6 1/4"	26	PX-104-1-034	INSULATION SLEEVING	BLK
17 1/4"	25	WL-100-7	WIRE, BUSS # 22	
X	24	BS-100	SOLDER, SOFT	
9	23	TE-127-3	TERMINAL, STUD	
4	22	TE-108-12	SPACER, RIVET TYPE	
9	21	TE-168-4-C	TERMINAL, STUD, FEED-THRU	
1	20	CM20D431 G	CAPACITOR, FIXED, MICA	C 3029
1	19	CM20E621G	CAPACITOR, FIXED, MICA	C3028
	18			
3	17	CL-240-68	COIL, RF, FIXED	L3011 THRU L3013
1	16	CM20C151J	CAPACITOR, FIXED, MICA	C3027
1	15	RC20GF221K	RESISTOR, FIXED, COMPOSITION	R3025
	14			
1	13	RC42GF562K	RESISTOR, FIXED, COMPOSITION	R3016
2	12	CN114-R10-4J	CAPACITOR, FIXED, MYLAR	C3012, C3025
1	11	RC20GF101K	RESISTOR, FIXED, COMPOSITION	R3003
3	10	CM20C132K	CAPACITOR, FIXED, MICA	
1	9	CM20D131G	CAPACITOR, FIXED, MICA	C3008
1	8	CL-315-1	COIL, RF, FIXED	L3003
2	7	CM20C182K	CAPACITOR, FIXED, MICA	C3009, C3022
1	6	CM20C601J		C3010
2	5	CM20C162J		C3011, C3033
1	4	CM20C471J	CAPACITOR, FIXED, MICA	C3013
2	3	CL-315-2	COIL, RF, FIXED	L3006, L3004
1	2	CM20C102K	CAPACITOR, FIXED, MICA	C3014
1	1	CC-100-16	CAPACITOR, FIXED, CERAMIC	C3015



O. POSE LIST OF MATERIAL

MATERIAL: _____

FINISH: _____

THE TECHNICAL MATERIEL CORP. MAMARONECK, NEW YORK

TITLE: PRINTED CIRCUIT & COMPONENT ASSY

UNLESS OTHERWISE SPECIFIED DIMENSIONS ARE IN INCHES AND INCLUDE CHEMICALLY APPLIED OR PLATED FINISHES

DECIMALS: .X ± .05, .XX ± .01, .XXX ± .005

FRACTIONS: ± 1/64, ANGLES: ± 0° 30'

TOLERANCES

DRAWN: [Signature] DATE: 1/16/64

CHECKED: [Signature] DATE: 1/14/64

ELECT. DES. DATE: _____

MECH. DES. DATE: _____

FINAL APPROVAL: [Signature] DATE: 1/21/64

A-3169 'A'

SHEET 2 OF 2 REV. LTR.

LFA-4

QTY./UNIT: _____

MODEL USED ON: _____

ASSY. NO.: _____

SCALE: 1:1

CODE: A

THE CONTENTS OF THIS DRAWING ARE THE EXCLUSIVE PROPERTY OF THE TECHNICAL MATERIEL CORP. ITS UNAUTHORIZED USE OR REPRODUCTION IN WHOLE OR IN PART IS STRICTLY FORBIDDEN.

NOTES