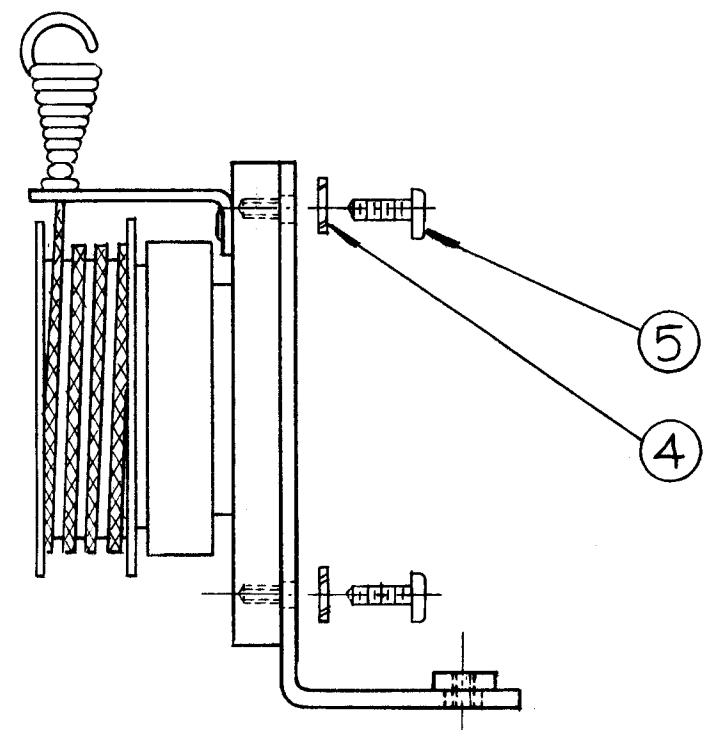
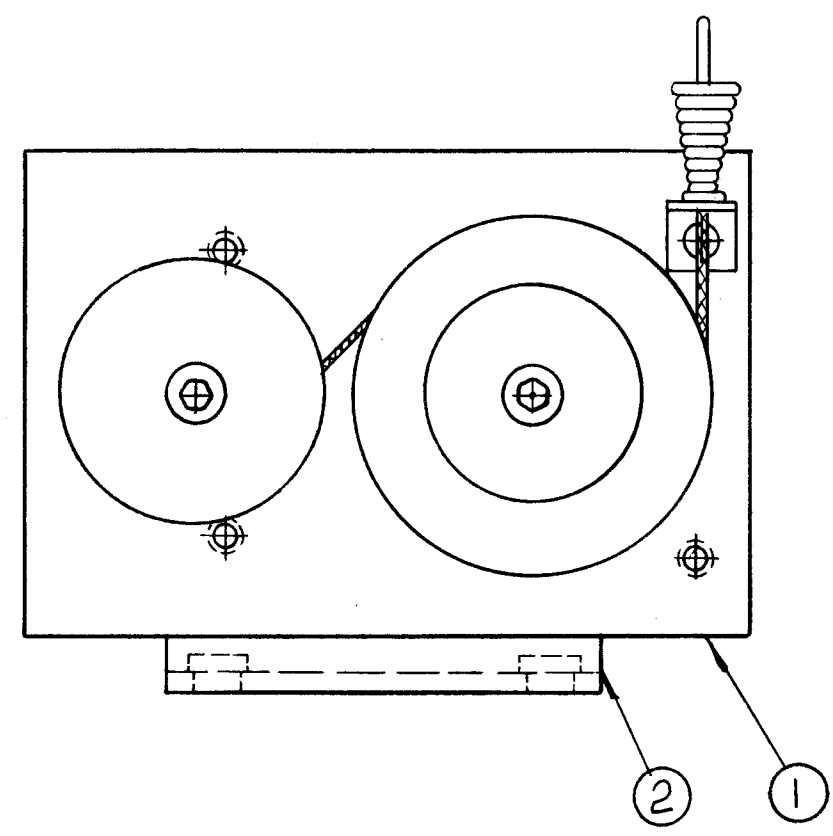


A-3179 A

REVISIONS

SYM	DESCRIPTION	DATE	E.M.N. NO.	DRAFT	CHKD	APPD
A	ITEM(3) WAS NT-129-832-G, DESCRIPTIOUS CLARIFIED	9-16-63	9935		<i>[Signature]</i>	



REQ'D.	ITEM	PART NUMBER	DESCRIPTION	SYMBOL
4	5	SCBP0632 BN6	SCREW, MACHINE	
4	4	LWEO6 MRN	WASHER, LOCK, EX.	
—	3	—	DELETED	
1	2	MS-3401	BRACKET, SPRING, MOUNTING	
1	1	SP-137-1	SPRING, RETRACTING	

LIST OF MATERIAL

MATERIAL		THE TECHNICAL MATERIEL CORP. MAMARONECK, NEW YORK			
FINISH		TITLE ASSEMBLY, RETRACTOR			
UNLESS OTHERWISE SPECIFIED DIMENSIONS ARE IN INCHES AND INCLUDE CHEMICALLY APPLIED OR PLATED FINISHES		DRAWN <i>[Signature]</i> CHECKED <i>[Signature]</i> ELECT. DES. <i>[Signature]</i> MECH. DES. <i>[Signature]</i>	DATE 7-24-63 7-24-63 7-24-63 7-24-63	FINAL APPROVAL <i>[Signature]</i> A-3179	DATE 7-24-63 SHEET A
DECIMALS .X ± .05 .XX ± .01 .XXX ± .005	TOLERANCES	FRACTIONS ± 1/64 ± 0° 30'			

2	DDR-9A	SBS
Q'TY./UNIT	MODEL USED ON	ASS'Y. NO.
SCALE	CODE	

THE CONTENTS OF THIS DRAWING ARE THE EXCLUSIVE PROPERTY OF THE TECHNICAL MATERIEL CORP. ITS UNAUTHORIZED USE OR REPRODUCTION IN WHOLE OR IN PART IS STRICTLY FORBIDDEN.

NOTES