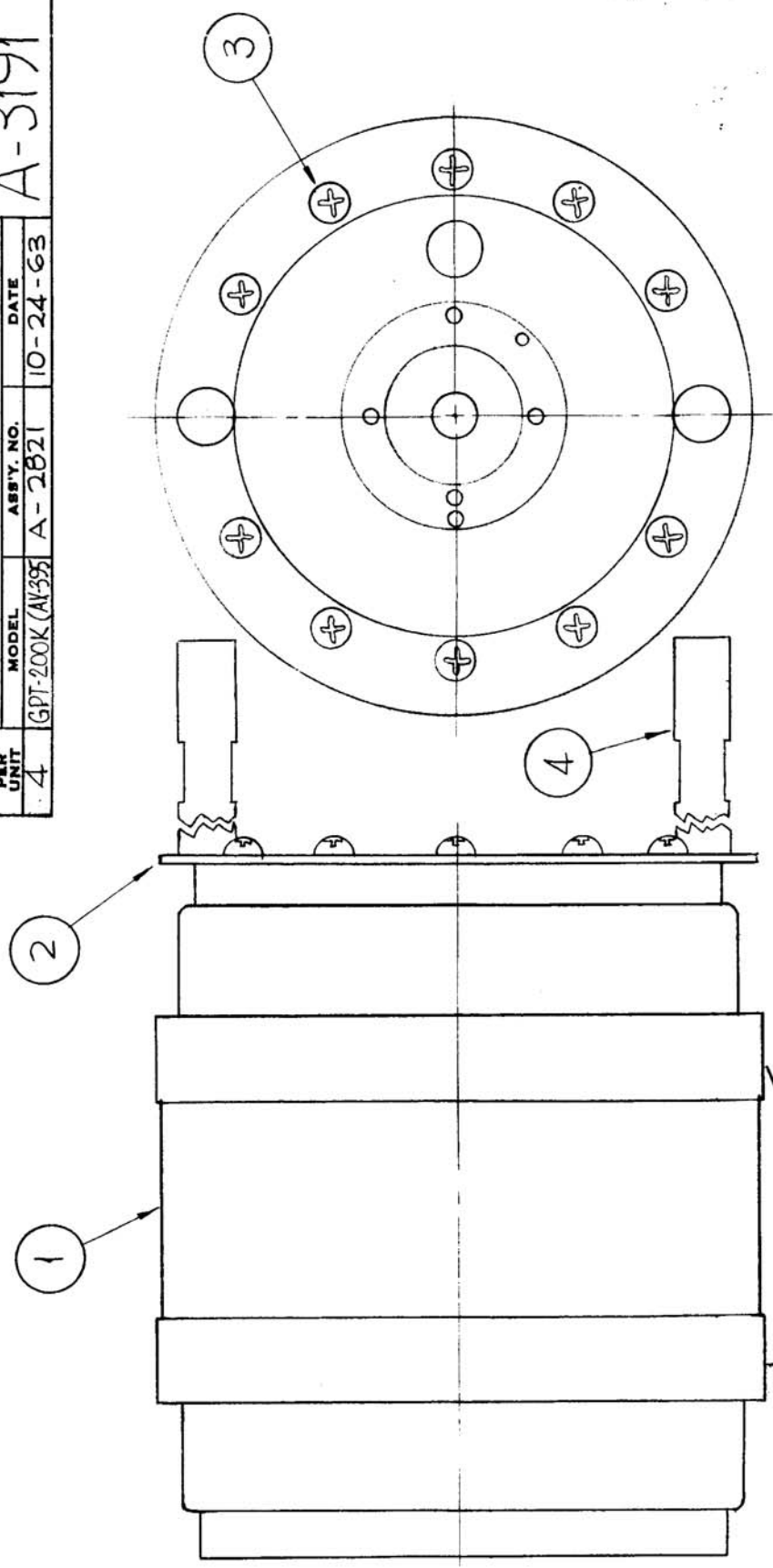


USED ON
 REQ. PER UNIT: 4
 MODEL: GPT-200K (A-3191)
 ASSY. NO.: A-2821
 DATE: 10-24-63
 A-3191 0



X	5	TA-113-3-1	ADHESIVE	SYMBOL
2	4	PM-991	SPACER, SUPPORT	
10	3	SCBP2520BN8	SCREW, MACHINE	
1	2	PM-945	RING, CAPACITOR MTG.	
1	1	CB-167-1	CAP. VARIABLE, VACUUM CERAMIC CASE	CS323 CS324 CS325 CS326
REQ. ITEM		PART NO.	F. BUDETTI	DESCRIPTION
			THE TECHNICAL MATERIEL CORP. MAMARONECK, NEW YORK	
		STOCK SIZE	VARIABLE CAPACITOR ASS'Y	
		MATERIAL	SRG	0000
		TYPE & TEMPER	DRAWN	CHECKED
		HEAT TREAT. SPEC.		3-20-64
		FINISH & SPEC. N.	FINAL APPROVAL	A-3191 0

SYM	DESCRIPTION	DATE	CH. NO.	DRAFTS	CHECKER	ENG. APP.
○	ORIGINAL RELEASE FOR PRODUCTION	3-1-64				
	UNLESS OTHERWISE SPECIFIED DIMENSIONS ARE IN INCHES AND INCLUDE CHEMICALLY APPLIED OR PLATED FINISHES	SCALE	1/2" = 1"			
	TOLERANCES	FRACTIONS	CODE			
	.XXX ± .005	± 1/64	A			
	.XX ± .01	ANGLES	± 9° 30'			
	.X ± .05					