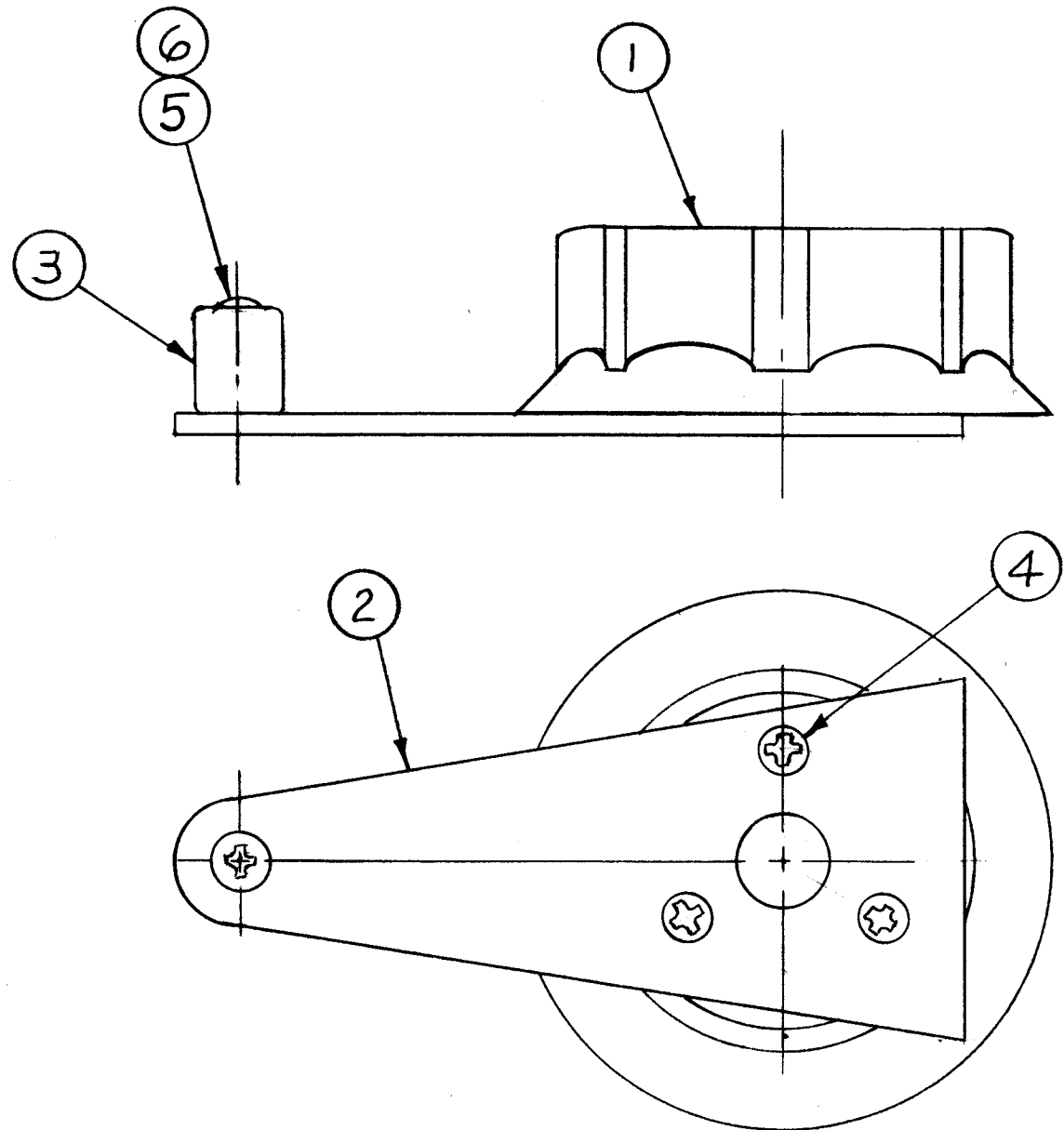


A-3260 0



REVISIONS

SYM	DESCRIPTION	DATE	E.M.N. NO.	DRAFT	CHKD	APPD
0	ORIGINAL RELEASE FOR PRODUCTION	2-25-64				

REQ'D.	ITEM	PART NUMBER	DESCRIPTION	SYMBOL
1	6	NTC0832BBL	NUT, CAP	
1	5	SCFP0832BN12	SCREW	
3	4	SCFP0632BN7	SCREW	
1	3	HA-111	HANDLE, CRANK	
1	2	MS-3495	PLATE, KNOB HANDLE	
1	1	MP-128	KNOB, MODIFIED	

LIST OF MATERIAL

MATERIAL		THE TECHNICAL MATERIEL CORP. MAMARONECK, NEW YORK			
FINISH		TITLE KNOB ASS'Y			
UNLESS OTHERWISE SPECIFIED DIMENSIONS ARE IN INCHES AND INCLUDE CHEMICALLY APPLIED OR PLATED FINISHES		DRAWN A TURS I CHECKED AA JCB ELEC. DES. MECH. DES. DATE DATE	DATE 11-5-63 DATE 2/25/64 DATE 2/25/64 DATE	FIN. APPROVAL DATE 3-30-64 A-3260 SHEET	DATE REV. LTR. 0

5	GPT 200 K	AX 395
Q'TY./UNIT	MODEL USED ON	ASS'Y. NO.
SCALE #	CODE A	
THE CONTENTS OF THIS DRAWING ARE THE EXCLUSIVE PROPERTY OF THE TECHNICAL MATERIEL CORP. ITS UNAUTHORIZED USE OR REPRODUCTION IN WHOLE OR IN PART IS STRICTLY FORBIDDEN.		

NOTES