

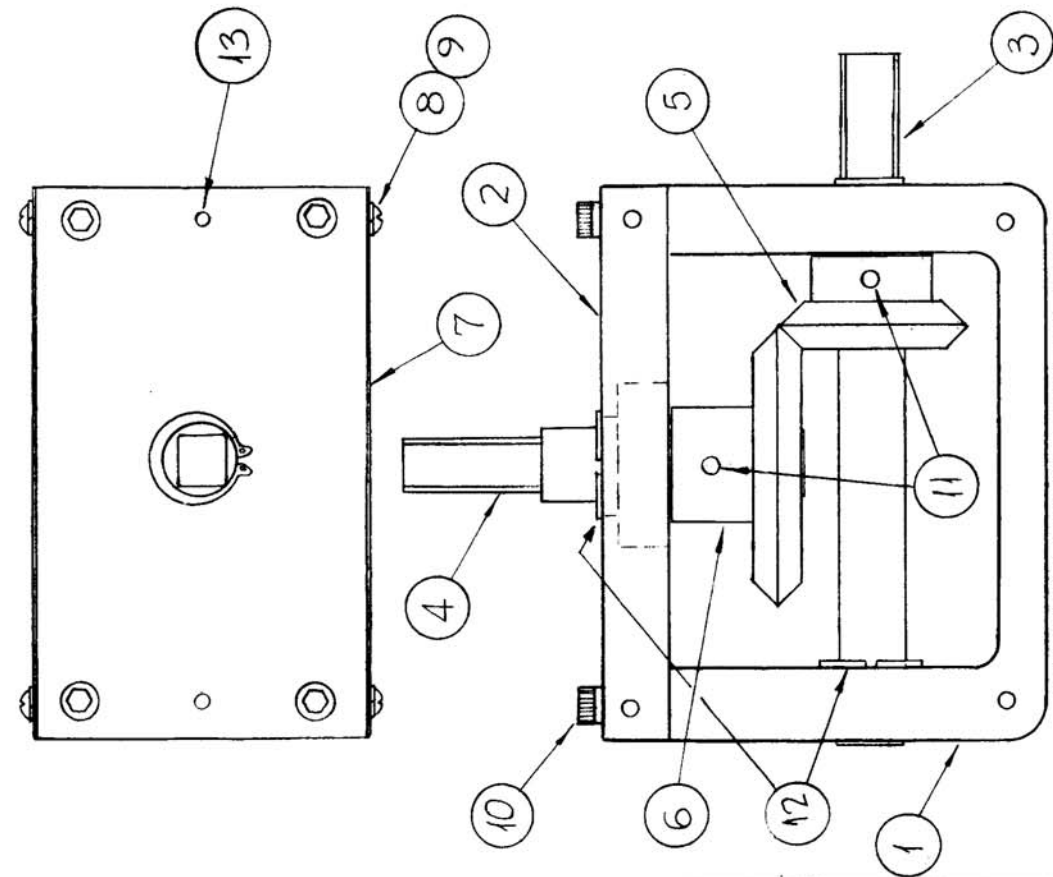
USED ON
 MODEL
 GPT-200K (A-3262) A-3197
 DATE
 10-10-63

REQ. PER UNIT
 1

REQ. ITEM
 2 13
 2 12
 2 11
 4 10
 8 9
 8 8
 2 7
 1 6
 1 5
 1 4
 1 3
 1 2
 1 1

REQ. ITEM	PART NO.	DESCRIPTION	SYMBOL
2 13	PN-116-M-4-S	PIN, DOWEL	
2 12	WA-138-3	RING, RETAINING, EXTERNAL	
2 11	PN-59-094-10	PIN, SPRING	
4 10	SC-155-0832SS12	SCREW, SOCKET HEAD	
8 9	LWSO4MRN	LOCKWASHER, SPLIT	
8 8	SFB0440SC3	SCREW, THREAD CUTTING RH.	
2 7	MS-3520	PLATE, SIDES	
1 6	GR-198-3	GEAR, BEVEL	
1 5	GR-198-4	GEAR, BEVEL	
1 4	PM-966	SHAFT, SHORT	
1 3	PM-964-1	SHAFT, LONG	
1 2	PM-961	PLATE, TOP	
1 1	PM-962	BOX, RIGHT ANGLE DRIVE	

SYM	DESCRIPTION	DATE	CH. NO.	DRAFTS	CHECKER	ENG. APP.
0	ORIGINAL RELEASE FOR PRODUCTION					
UNLESS OTHERWISE SPECIFIED DIMENSIONS ARE IN INCHES AND INCLUDE CHEMICALLY APPLIED OR PLATED FINISHES						
TOLERANCES						
DECIMALS .XX ± .01 .XXX ± .005 FRACTIONS ± 1/64 ANGLES ± 0° 30'						
SCALE 1" = 1"						
CODE A						
FINISH & SPEC. NO.						
TYPE & TEMPER HEAT TREAT. SPEC.						
DRAWN						
CHECKED						
FINAL APPROVAL						
ELEC. DES. APP. MECH. DES. APP.						



THE TECHNICAL MATERIEL CORP.
 MAMARONECK, NEW YORK

GEAR ASSY, RIGHT ANGLE DRIVE
 1.5:1

SRG
 203 PB/BB
 3-30-64

A-3262