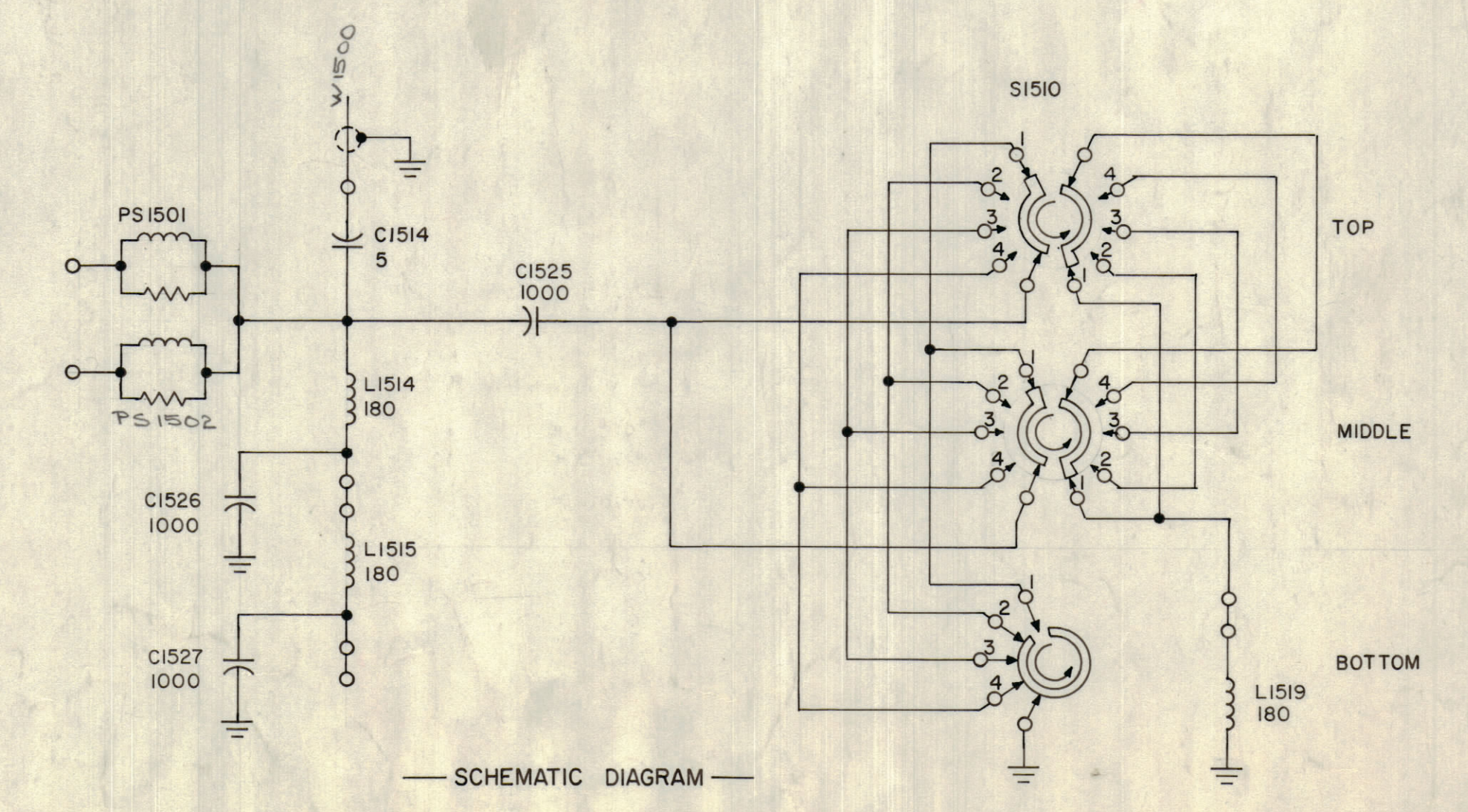
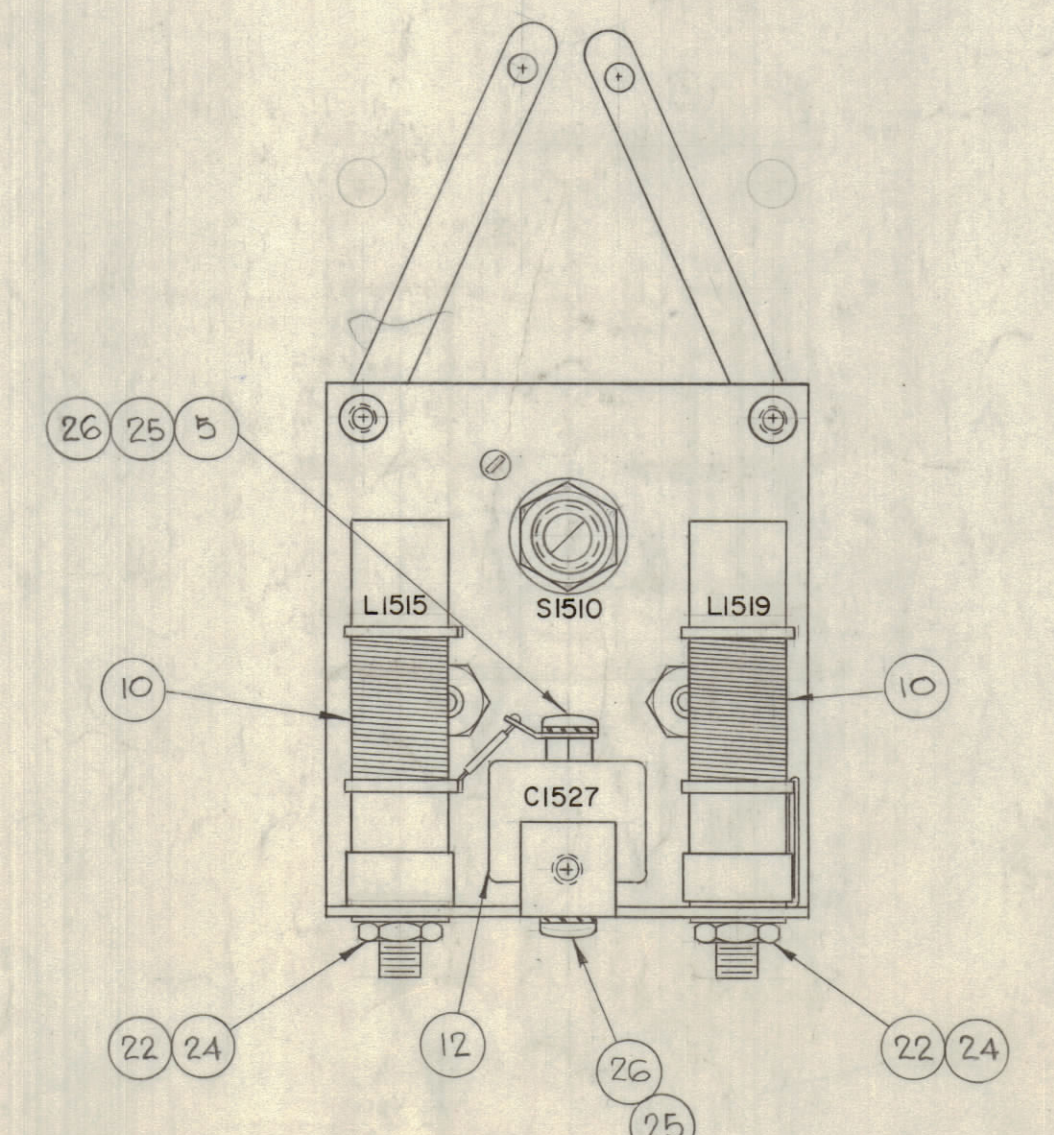
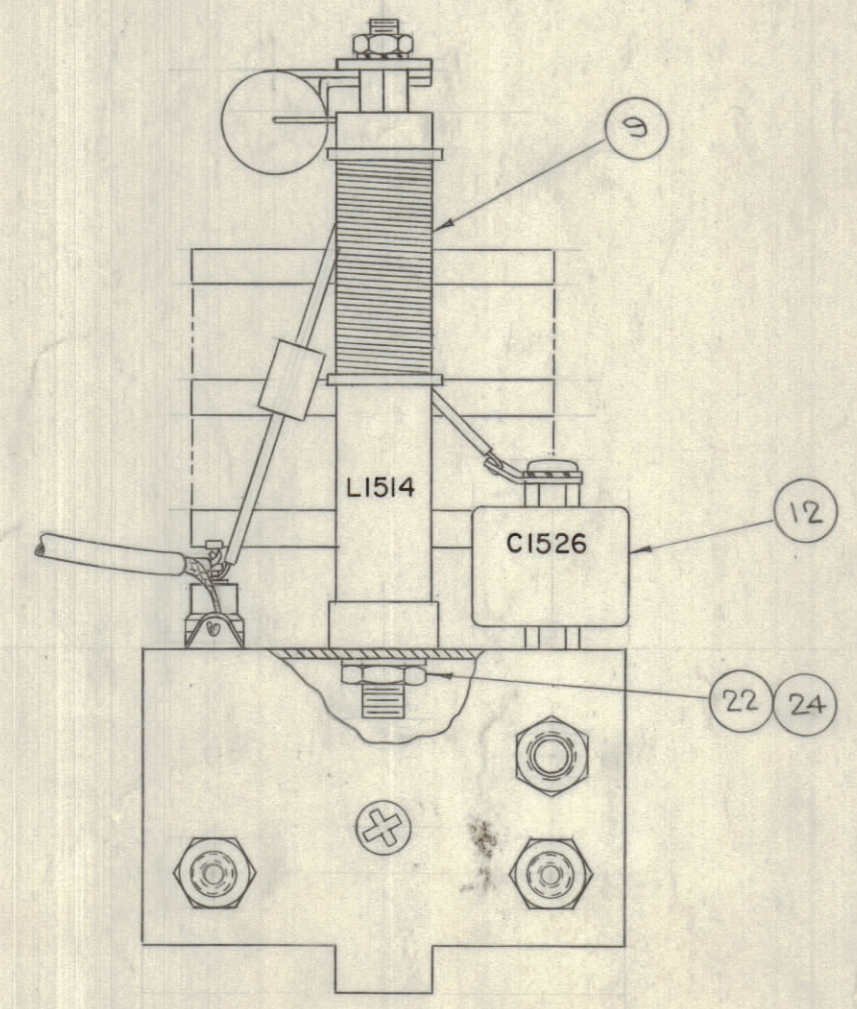
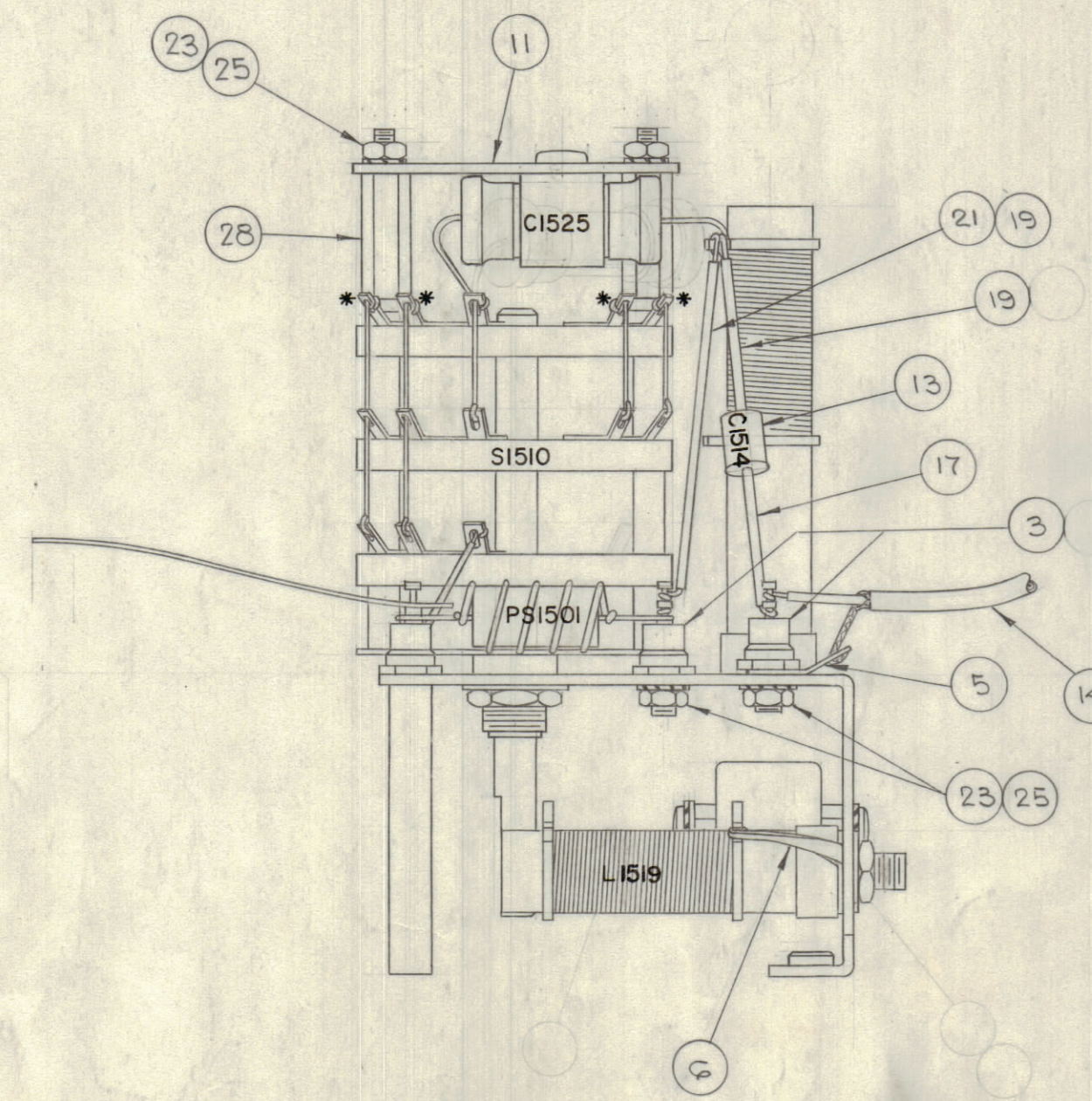
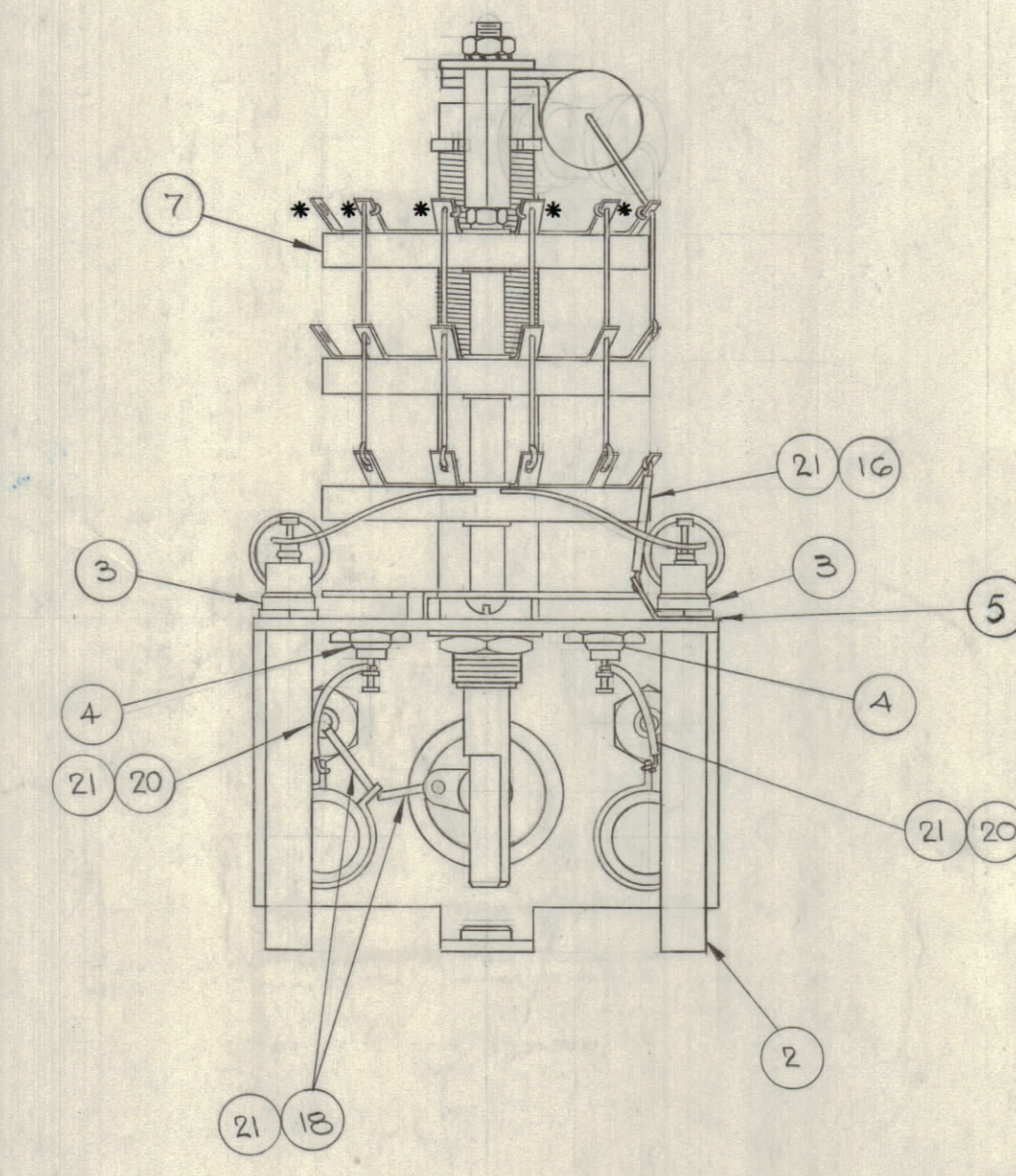
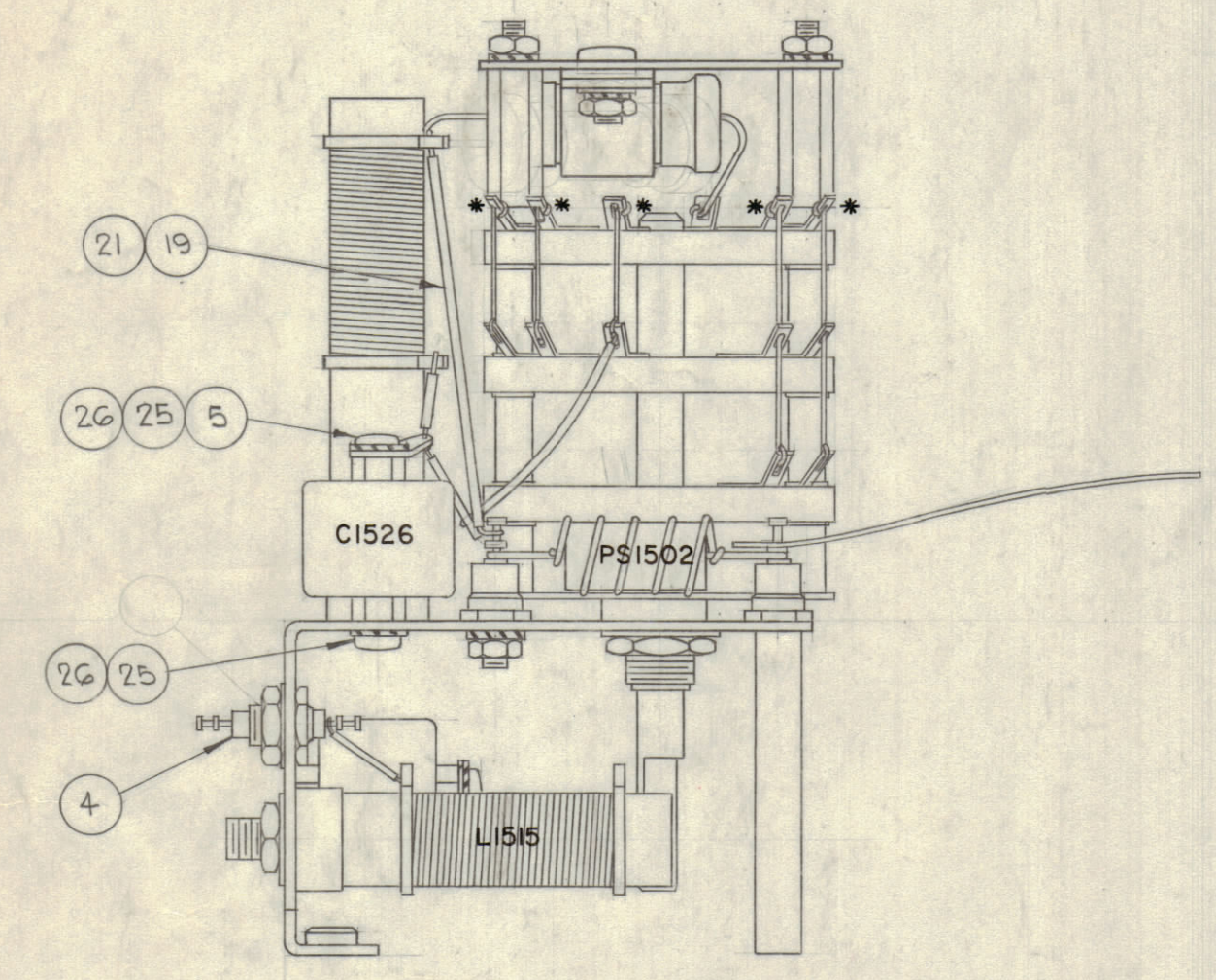
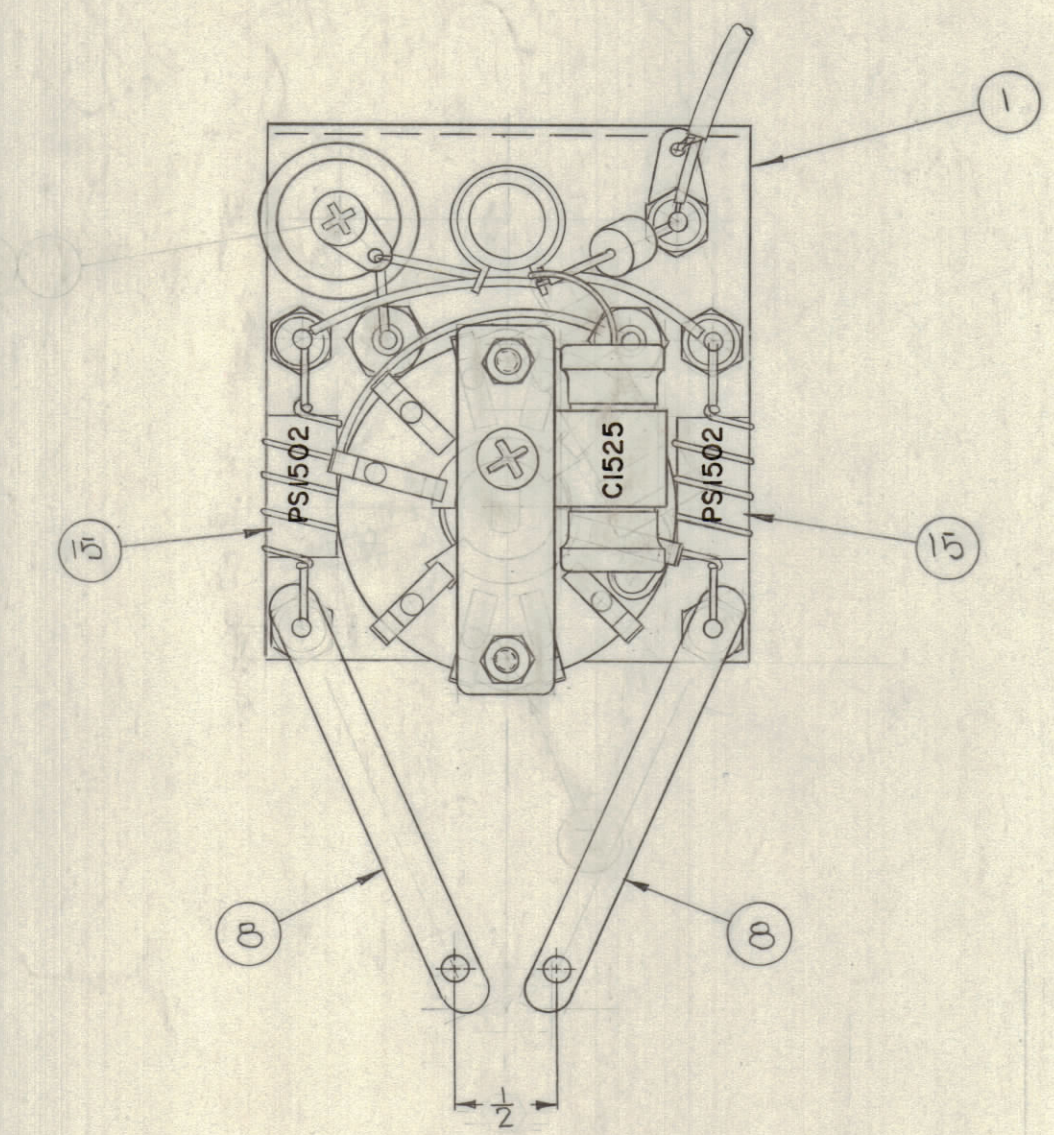


ZONE		SYM		DESCRIPTION	DATE	E.M.N. NO.	DRAFT	CHKD	APPD
A		A		ON BOM: ITS 16 THRU 20 QTY. BELE; IT 21 QTY. WAS 2-06; IT 25 QTY. WAS 9; IT 5 WAS TE 110-3; DESCRIPTIONS UPDATED; ON PCT. IT 5 CALLOUT ADDED.	12-7-64	13029			



NOTES
 1. * INDICATES DO NOT SOLDER.
 2. ALL BUSS-BAR SHOWN IS ITEM 21.

REQ'D.	ITEM	PART NUMBER	DESCRIPTION	SYMBOL
2	28	TE-198-2	POST, EM-MALE-FEMALE	
X	27	BS-100	SOLDER, SOFT	
4	26	SCBP0632BU4	SCREW, MACHINE	
11	25	LWEO6MRN	WASHER, LOCK, EXT	
3	24	LWE25MRN	WASHER, LOCK, EXT	
5	23	NTHO632BU8	LUT, PLAIN HEX.	
3	22	NTH2528BU4	LUT, PLAIN HEX.	
30	21	WL-100-5	WIRE, BUSS-BAR, TINNED, SIZE 18	
	20	PX-104-4-042	INS. SLEEVING SIZE 18	GRN
	19	PX-104-6-042		BLU
	18	PX-104-3-042		RED
	17	PX-104-2-042		YEL
	16	PX-104-1-042	INS. SLEEVING SIZE 18	BLK
2	15	AX-381	SUPPRESSOR, PARASITIC	PS1501 PS1502
1	14	CA-418-G	CABLE ASSY., R.F.	W1800
1	13	CC-109-3	CAPACITOR, FIXED, CERAMIC, H.V.	C1514
2	12	CC-109-3B	CAPACITOR, FIXED, CERAMIC, H.V.	C1526 C1527
1	11	A-2831	CAPACITOR & PLATE ASSY	
2	10	CL-317	COIL, R.F., FIXED	L1515 L1519
1	9	CL-319	COIL, R.F., FIXED	L1514
2	8	MS-203-10-2,50	LEAD, ELECTRICAL	
1	7	SW-334	SWITCH, ROTARY PA CHANNEL	S1510
1	6	TE-111-1	TERMINAL, LUG 1/4 DIA.	
4	5	TE-110-3	TERMINAL, LUG NO. 6	
3	4	TE-114-2	TERMINAL, FEED-THRU, INSUL.	
5	3	TE-121-5	TERMINAL, STUD, INSULATED	
2	2	TE-135-27	NUT, SLEEVE	
1	1	LD-1323/MS-3376	BRACKET, MTG. P.A. SWITCH	

KOHN		LIST OF MATERIAL	
MATERIAL		THE TECHNICAL MATERIEL CORP. MAMARONECK, NEW YORK	
FINISH		TITLE P.A. PLATE CIRCUIT ASSEMBLY	
QTY/UNIT	SCALE	DATE	FINAL APPROVAL
1	DO NOT SCALE	11-14-63	BP
MODEL USED ON	CODE	DATE	DATE
TTR-10	A	11-15-63	
UNLESS OTHERWISE SPECIFIED DIMENSIONS ARE IN INCHES AND INCLUDE CHEMICALLY APPLIED OR PLATED FINISHES		ELECT. DES.	DATE
THE CONTENTS OF THIS DRAWING ARE THE EXCLUSIVE PROPERTY OF THE TECHNICAL MATERIEL CORP. ITS UNAUTHORIZED USE OR REPRODUCTION IN WHOLE OR IN PART IS STRICTLY FORBIDDEN.		MECH. DES.	DATE
DECIMALS: .X ± .05, .XX ± .01, .XXX ± .005		A-3279	
FRACTIONS: ± 1/64, ANGLES: ± 0' 30"		REV. LTR.	

NOTES

A-3279