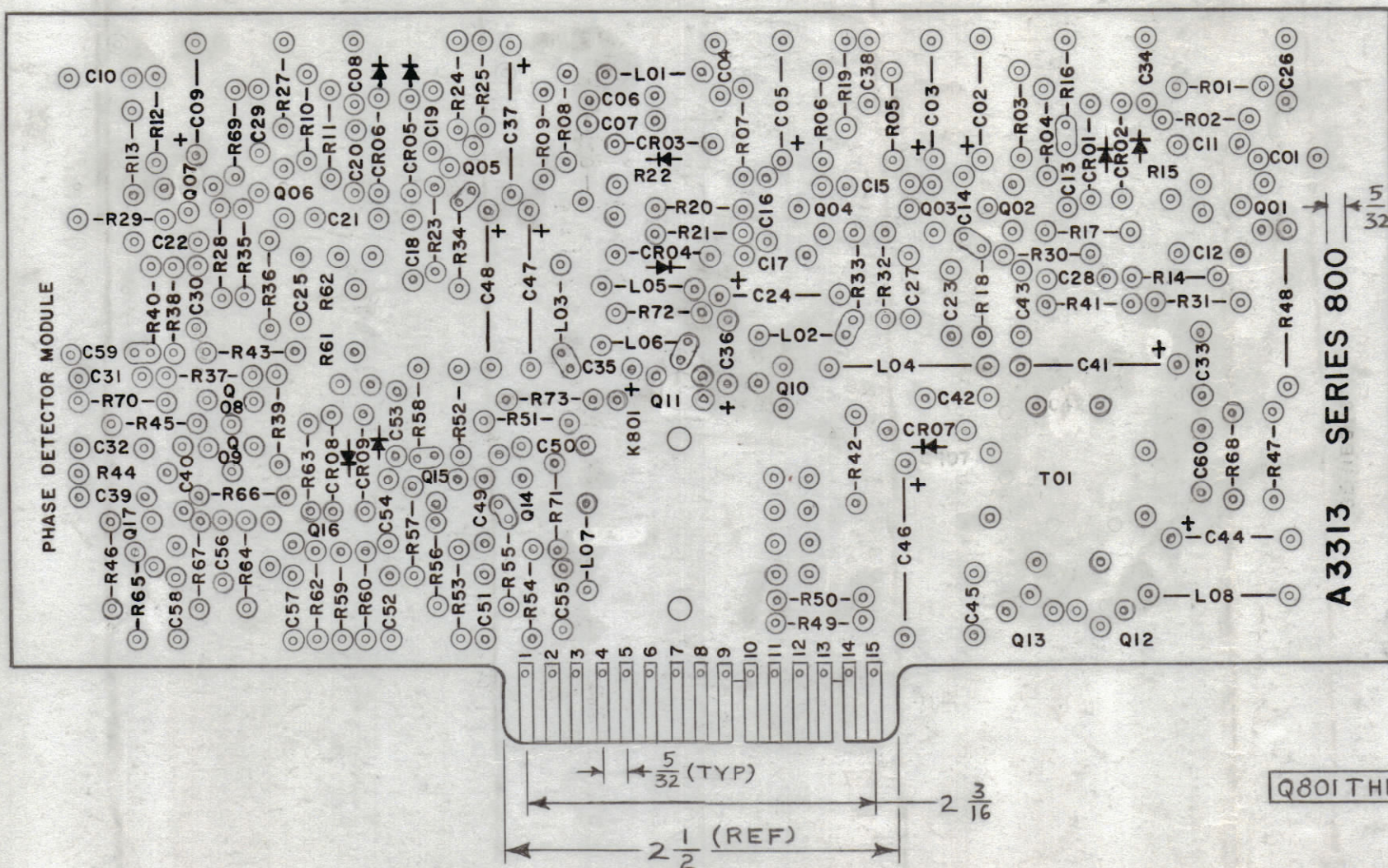


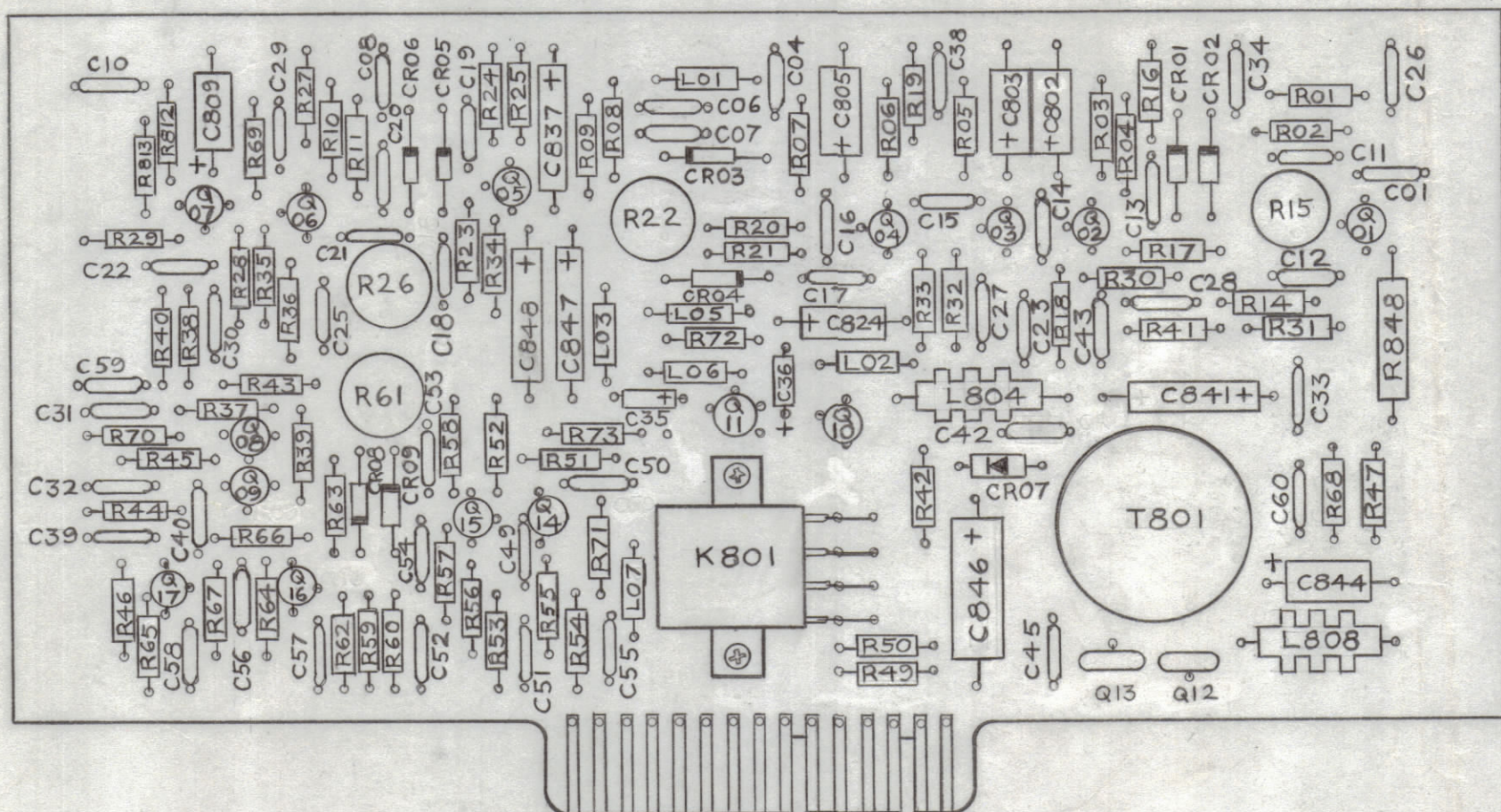
-UNLESS OTHERWISE SPECIFIED-

- 1- ALL LETTERING TO BE 5/64 HIGH BLACK GOTHIC, .010 STROKE LOCATED APPROX AS SHOWN.
- 2- MARKING PROCESS AS PER TMC SPEC S-727.

REVISIONS						
ZONE	SYM	DESCRIPTION	DATE	E.M.N. NO.	DRAFT	CHKD
	X1	CHG ON SHT 1	7-1-64	1	N.P.	
	X2	SEE SHEET 1 OF 2	7-29-64	2	JL	
	Ø	ORIGINAL RELEASE FOR PRODUCTION	7-10-64		WB	
F2	A	IT.45 WAS NTH04BNG, IT.49 WAS CC112 R474	10-29-64	12786	WB	
	B	IT. 38 WAS 2N1637. SEE SHEET # 1, REV. B	2-11-65	13224	SL	



MARKING (A3313-3)



ELECTRICAL ASSY (A3313-4)

ITEM 47 R842 NOMINAL VALUE IS 8.2K
SUBJECT TO CHANGE IN TEST

- C 801, 804
- 806, 807, 819, 820
- 808, 810, 818, 823
- 817, 816, 815, 814
- 813, 812, 811, 826
- 827, 828, 838, 825
- 822, 831, 832, 840
- 839, 829, 830, 834
- 842, 843, 850, 851
- 852, 854, 855, 857
- 858, 856, 849, 833
- 821, 853, 859, 860

SEE NOTE

- L 802, 803, 806
- L 801, 807
- L 808, L 804
- Q 801 THRU 809, Q 814 THRU 817
- Q 811, 812, 813
- CR 801, 802, 805, 806, 808, 809
- C 802, 803, 805, 809, 824
- C 837, 841, 847, 848
- C 844
- C 845
- C 835, 836
- C 846
- CR 803, 804
- R 815, 822, 826, 861
- R 848
- R 849
- R 873
- R 850, 872
- R 851
- R 870
- R 847
- R 839, 864
- R 830, 805
- R 801, 803, 868, 806, 808, 846, 867
- R 814, 817, 824, 812, 856
- R 818, 871, 823
- R 819, 832, 843, 828, 859, 860
- R 834, 855, R 831, 802, 833, 807
- R 858, 857, 852, 854, 844
- R 810, 811, 835
- R 804, 827, 866, 863, 869, 853
- R 816, 821, 820, 825, 845
- R 841, 836, 829, 865

67						
66						
65						
64						
63						
62						
61						
60						
59						
58						
57						
56						
55						
54						
53						
52						
51						
50						
46	49	CC112 R474 M	CAPACITOR, FIXED, RF			
1	48	CL275-471	COIL, FIXED, RF			L805
1	47	RC20GFXXXJ	RESISTOR, FIXED, COMPOSITION			R842
1	46	TR184	TRANSFORMER, FIXED, RF			T801
2	45	NTH0440BNG	NUT, PLAIN, HEX			
2	44	LWE 04 MRN	WASHER, LOCK, EXTERNAL			
2	43	SCBP0440BN4	SCREW, MACHINE			
3	42	CL275-473	COIL, FIXED, RF			
2	41	CL275-101	COIL, FIXED, RF			
1	40	RL 143-3	RELAY			K801
2	39	CL226-1	COIL, FIXED, RF			
13	38	TX105	TRANSISTOR			
1	37	IN2484	DIODE			CR807
3	36	2N214	TRANSISTOR			
1	35	2N396A	TRANSISTOR			Q 810
6	34	IN294	DIODE			
5	33	CE105-10-15	CAPACITOR, FIXED, ELECTROLYTIC			
4	32	CE107-1	ELECTROLYTIC			
1	31	CE105-50-15	ELECTROLYTIC			
1	30	CC100-31	CERAMIC			
2	29	CE106	CERAMIC			
1	28	CN112 A105K2	CAPACITOR, FIXED, MYLAR			
2	27	IN34A	DIODE			
4	26	RVIIIU102A	RESISTOR, VARIABLE			
1	25	RW107-15	RESISTOR, FIXED, WIRE WOUND			
1	24	RC20GF 224J	RESISTOR, FIXED, COMPOSITION			
1	23	105J				
2	22	473J				
1	21	393J				
1	20	273J				
1	19	470J				
2	18	153J				
2	17	123J				
7	16	103J				
5	15	822J				
3	14	682J				
1	13	562J				R837
8	12	472J				
4	11	392J				
5	10	332J				
3	9	272J				
6	8	222J				
5	7	122J				
1	6	102J				R840
1	5	331J				R862
4	4	471J				
1	3	151J				R838
1	2	101J				R813
1	1	RC20GF100J	RESISTOR, FIXED, COMPOSITION			R809

REQ'D.	ITEM	PART NUMBER	DESCRIPTION	SYMBOL
M. GELLMAN LIST OF MATERIAL				
MATERIAL		THE TECHNICAL MATERIEL CORP. MAMARONECK, NEW YORK		
FINISH		TITLE PRINTED CIRCUIT BOARD ASSEMBLY PHASE DETECTOR MODULE		
SEE NOTE #1		DRAWN <i>M. Peters</i> DATE <i>7/6/64</i> FINAL APPROVAL <i>REV</i> DATE		
SEE NOTE #1		CHECKED <i>W</i> DATE <i>7-15-64</i>		
UNLESS OTHERWISE SPECIFIED DIMENSIONS ARE IN INCHES AND INCLUDE CHEMICALLY APPLIED OR PLATED FINISHES		ELECT. DES. <i>W</i> DATE		
DECIMALS .X ± .05 .XX ± .01 .XXX ± .005		MECH. DES. DATE		
TOLERANCES		SHEET 2 OF 2		
FRACTIONS ± 1/64 ANGLES ± 0° 30'		REV. LTR.		

I	LFSA-1	AX475
Q'TY./UNIT	MODEL USED ON	ASS'Y. NO.
SCALE	CODE	
1:1	A	
THE CONTENTS OF THIS DRAWING ARE THE EXCLUSIVE PROPERTY OF THE TECHNICAL MATERIEL CORP. ITS UNAUTHORIZED USE OR REPRODUCTION IN WHOLE OR IN PART IS STRICTLY FORBIDDEN.		

NOTES