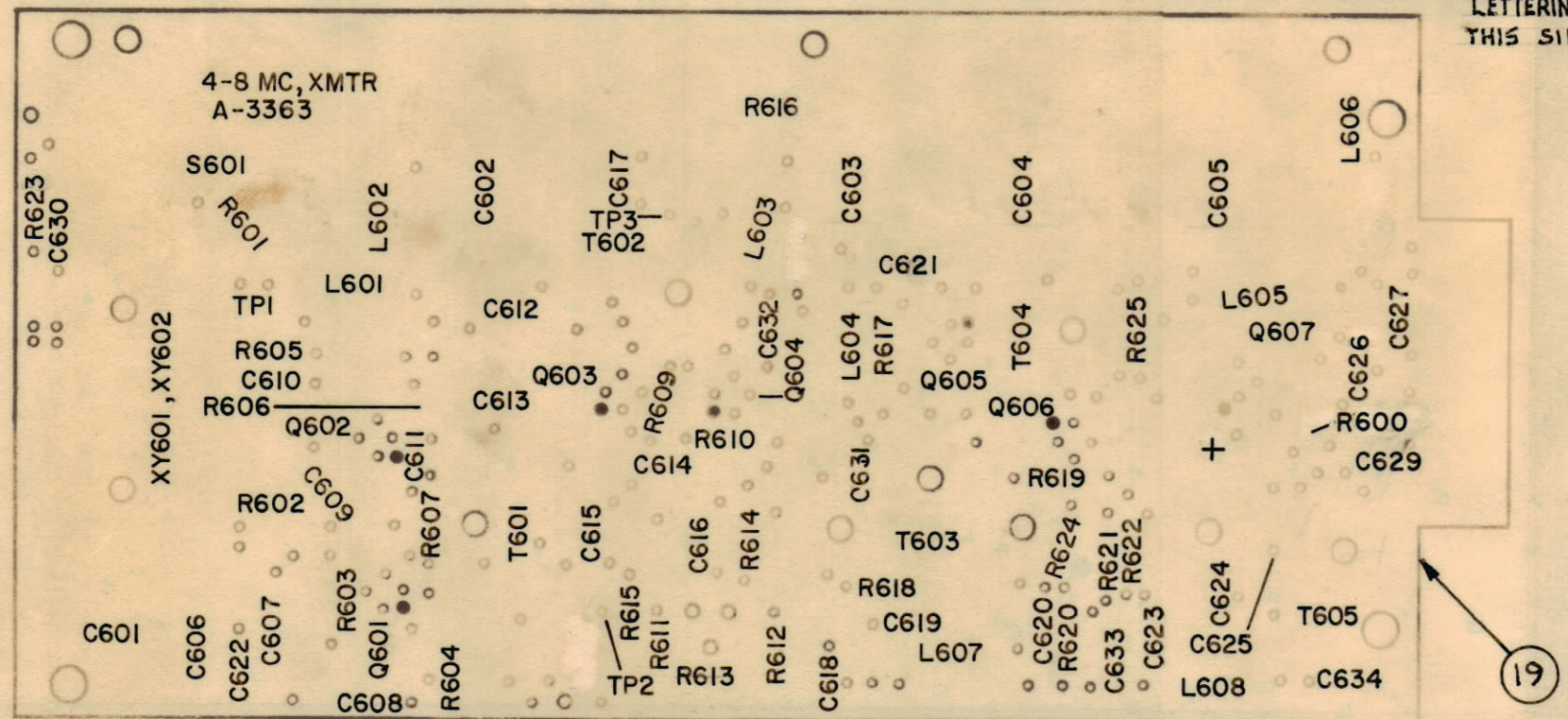


UNLESS OTHERWISE SPECIFIED

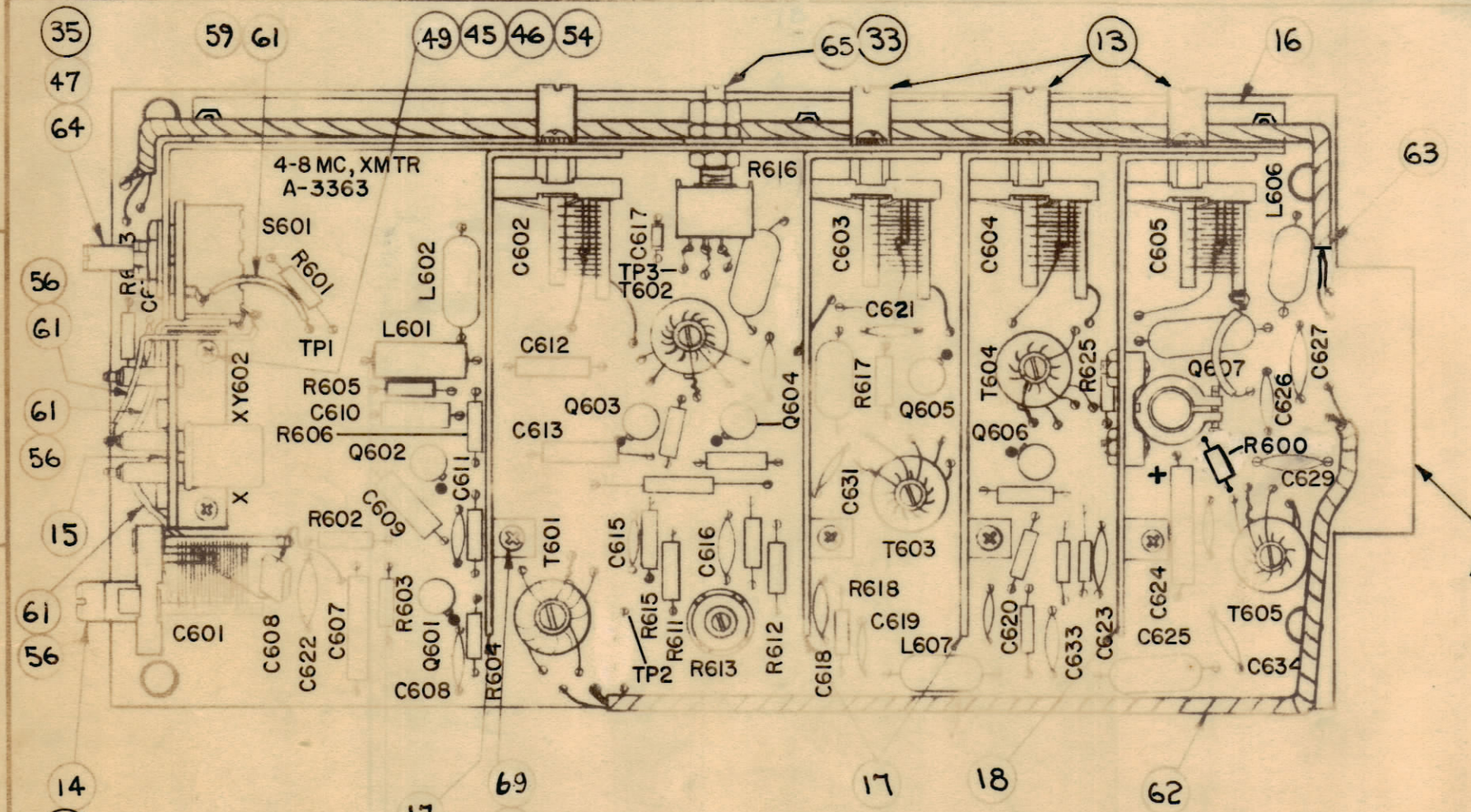
1. ALL LETTERING TO BE 3/32 HIGH, WHITE GOTHIC.
2. MARKING PROCESS PER TMC SPEC. S-727.
3. ALL LINES TO BE .015 STROKE, WHITE GOTHIC.
4. ALL DOTS TO BE 1/16 DIA. WHITE GOTHIC.

ZONE	SYM	DESCRIPTION	DATE	EMN NO.	DRAFT	CHKD	APPD
A		UPDATED PER EMN NO. 11376	5-7-64	11376	WB		
B		UPDATED PER EMN NO. 11741	7-14-64	11741	WB		
C		UPDATED PER EMN NO. 12329	9-10-64	12329	GDL		
D		B/M: IT. 12, "...B213" WAS "...1323"; IT. 66, "...331K" WAS "...221K";	10-21-64	12734	2.F.		
E		B/M: IT. 21 (RC20GF102J) (R606) 9ELE; IT. 22 QTY WAS 3; IT. 41 WAS 2N2219; IT. 42 WAS 2N2084; IT. 46 QTY WAS 17; IT. 68, 69, 70 ADD; PICT. ON A-3363-2 CALLOUT 69 WAS 49.	1-25-65	13332	2.F.		
F		IT. 68 WAS RC20GF221J	7-7-66	16509	2.F.		

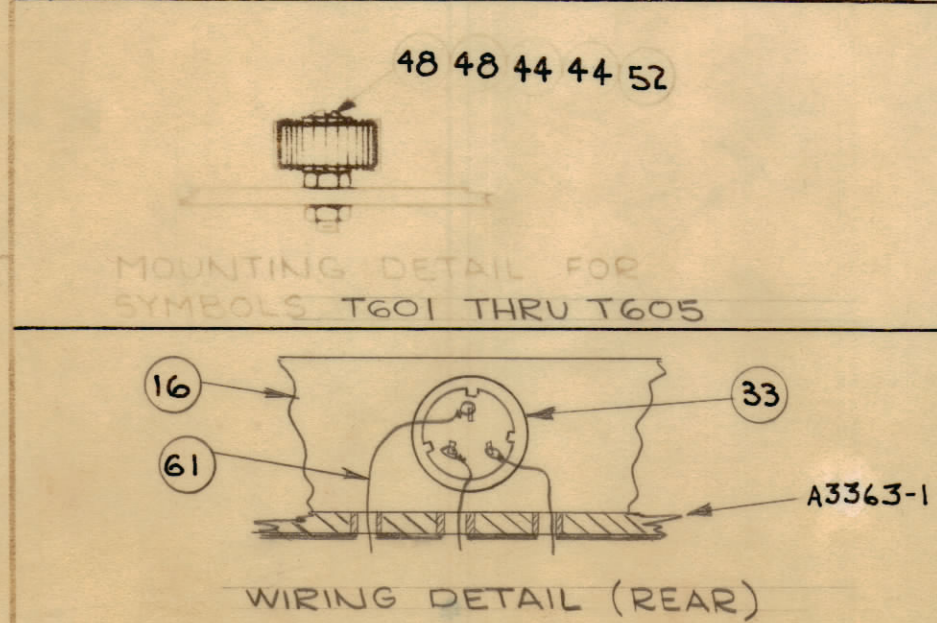


LETTERING ON THIS SIDE
PRINTED CIRCUIT SIDE

MARKING A-3363-1



ELECTRICAL ASSY A-3363-2



ASSEMBLY NOTICE

- 1- TO MOUNT COMPONENTS, INSERT LEAD THROUGH PLATED THRU HOLES & BEND ABOUT 1/8 OF LEAD OVER COPPER FOIL AS SHOWN.
- 2- APPLY HEAT & SOLDER TO LEAD & FOIL - CAUTION - TOO MUCH HEAT WILL CAUSE FOIL TO SEPARATE FROM THE BOARD.
- 3- CLEAN & INSPECT PER SPEC SHEET



NOTES

QTY	SYM	DESCRIPTION	SYMBOL
1	70	PX370-3-7	INSULATION, SLEEVING-TEFLON
4	69	LW104MRN	WASHER, LOCK, INTERNAL
1	68	RC20GF102J	RESISTOR, FIXED, COMPOSITION R607
1	67	RC20GF390J	RESISTOR, FIXED, COMPOSITION R600
1	66	RC20GF331K	RESISTOR, FIXED, COMPOSITION R625
1	65	NTH2532BN10	NUT, HEX
1	64	NTH3732BN18	NUT, HEX
1	63	CA-308-2	CABLE, ASS'Y, SHIELDED W601
1	62	CA-418-9	CABLE, ASS'Y, R.F. W602
1-02	61	WL-100-8	WIRE, BUSS, SIZE 24
0-3	60	PX-104-7-022	SLEEVING, SIZE 24 GRAY
0-2	59	PX-104-6-022	↑ SLEEVING, SIZE 24 BLUE
0-2	58	PX-104-4-022	↑ SLEEVING, SIZE 24 GREEN
0-2	57	PX-104-3-022	↑ SLEEVING, SIZE 24 RED
0-2	56	PX-104-2-022	↑ SLEEVING, SIZE 24 YELLOW
X	55	BS-100	SOLDER, SOFT
2	54	SCBP0440BN5	SCREW, MACHINE
17	53	SCBP0440BN4	SCREW, MACHINE
5	52	SC-143-0440B10	SCREW, MACHINE, NYLON
	51	DELETED	
	50	DELETED	
11	49	NTH04-0BN6	NUT, HEX
10	48	NT-137-0440	NUT, HEX, NYLON
1	47	LW137MRN	WASHER, LOCK, INTERNAL
13	46	FW04MRN	WASHER, LOCK, EXTERNAL
2	45	FW04HBN	WASHER, FLAT
10	44	FW-101-1	WASHER, FLAT, NYLON
7	43	PX-829-1	PAD, TRANSISTOR MOUNTING
6	42	TX109	TRANSISTOR
1	41	TX100	TRANSISTOR
1	40	TZ-149	TRANSFORMER, R.F. Q607
1	39	TZ-148	T605
1	38	TZ-147	T604
1	37	TZ-146	T603
1	36	TZ-141	T602
1	35	SW-192-12NSJ	TRANSFORMER, R.F. S601
1	34	RV 111 U501A	RESISTOR, VARIABLE, COMPOSITION R613
1	33	RV106UX8B501A	RESISTOR, VARIABLE, COMPOSITION R616
1	32	RC20GF680K	RESISTOR, FIXED, COMPOSITION R617
3	31	RC20GF561K	
1	30	RC20GF560K	R623
2	29	RC20GF472K	
1	28	RC20GF470K	R624
3	27	RC20GF331K	
2	26	RC20GF273K	R602 R605
2	25	RC20GF222K	
2	24	RC20GF183J	
1	23	RC20GF123K	R621
2	22	RC20GF102K	
1	21	DELETED	RESISTOR, FIXED, COMPOSITION
1	20	HD-100	HEAT SINK, CONDUCTION
1	19	PC-102-3	P.C. BOARD
1	18	MS-3560	SHIELD, R.F. OUTPUT
3	17	MS-3380	SHIELD, R.F.
1	16	MS-3372	BRACKET, CAPACITOR MOUNTING
1	15	LD-1342/MS-3414	BRACKET, XTAL SOCKET
1	14	CT-104-3	CAPACITOR, VARIABLE, AIR C601
4	13	CT-103-1	CAPACITOR, VARIABLE, AIR
1	12	CM20C821J	CAPACITOR, FIXED, MICA C607
1	11	CM15B820J	CAPACITOR, FIXED, MICA C612
1	10	CM15B430J	CAPACITOR, FIXED, MICA C610
2	9	CM15B330J	CAPACITOR, FIXED, MICA
1	8	CM15B220J	CAPACITOR, FIXED, MICA C606
1	7	CM15B101J	CAPACITOR, FIXED, MICA C609
1	6	CL-240-100	COIL, RF, FIXED L601
7	5	CL-140-3	COIL, RF, FIXED
1	4	CE-107-1	CAPACITOR, FIXED, ELECTROLYTIC C624
6	3	CC-100-33	CAPACITOR, FIXED, CERAMIC, DISC
13	2	CC-100-16	CAPACITOR, FIXED, CERAMIC, DISC
1	1	CC20RH020C	CAPACITOR, FIXED, CERAMIC C617

Q601 THRU Q606

A3363-1

R611,612,622

R603,606

R614,615,619

R618,620

R609,610

R601,604

XY601,602,XY601

C602 THRU C605

C613,614

L602 THRU L608

C619,621,622,631,633,634

C608,611,615,616,618
620,623,625,626,627
629,630,632

LIST OF MATERIAL		THE TECHNICAL MATERIEL CORP. MAMARONECK, NEW YORK	
PRINTED CIRCUIT BOARD ASSEMBLY 4-8 MC, XMTR		DATE: 1-27-64	
UNLESS OTHERWISE SPECIFIED DIMENSIONS ARE IN INCHES AND INCLUDE CHEMICALLY APPLIED OR PLATED FINISHES		DATE: 2/14/68	
TOLERANCES		A-3363	
DECIMALS: ±.015		REV. LTR. F	
FRACTIONS: ±.005		DATE: 2/14/68	
ANGLES: ±.005		SHEET	
STOCK NO. 4408		REV. LTR.	