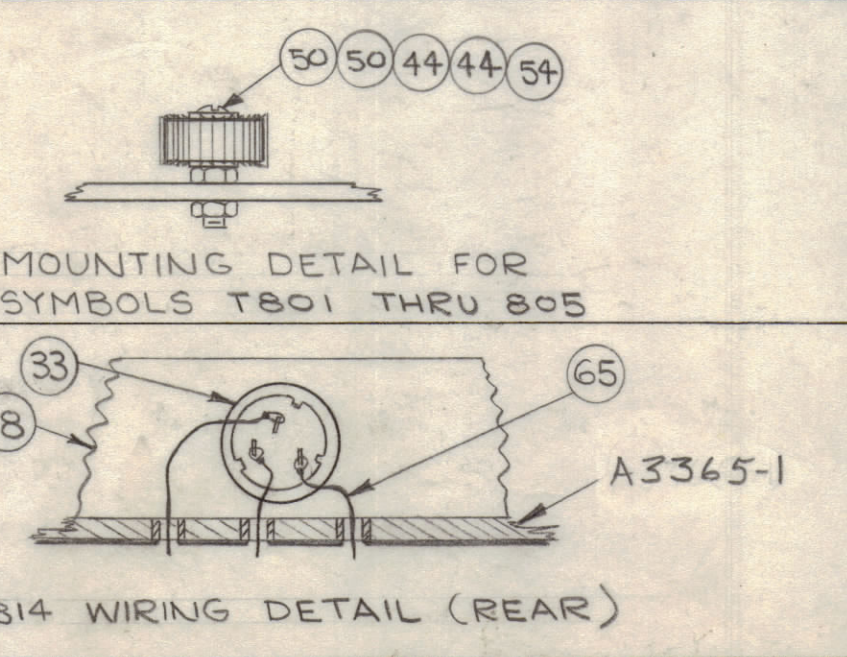
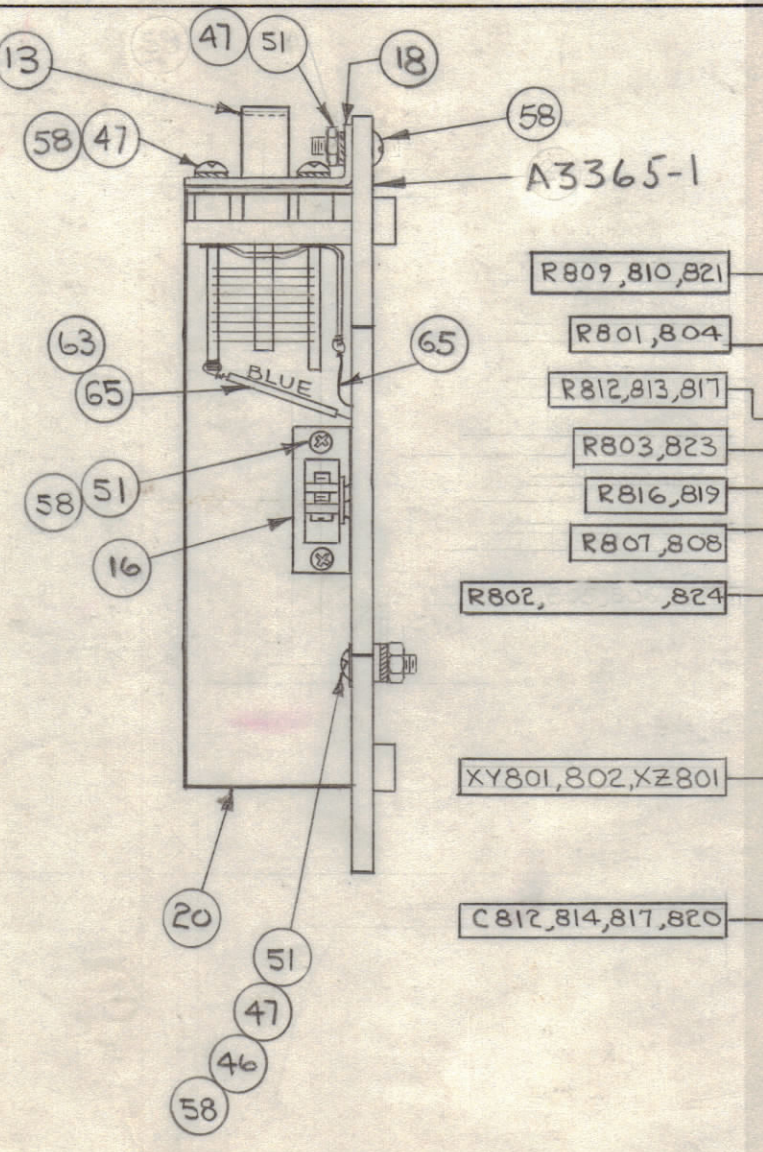
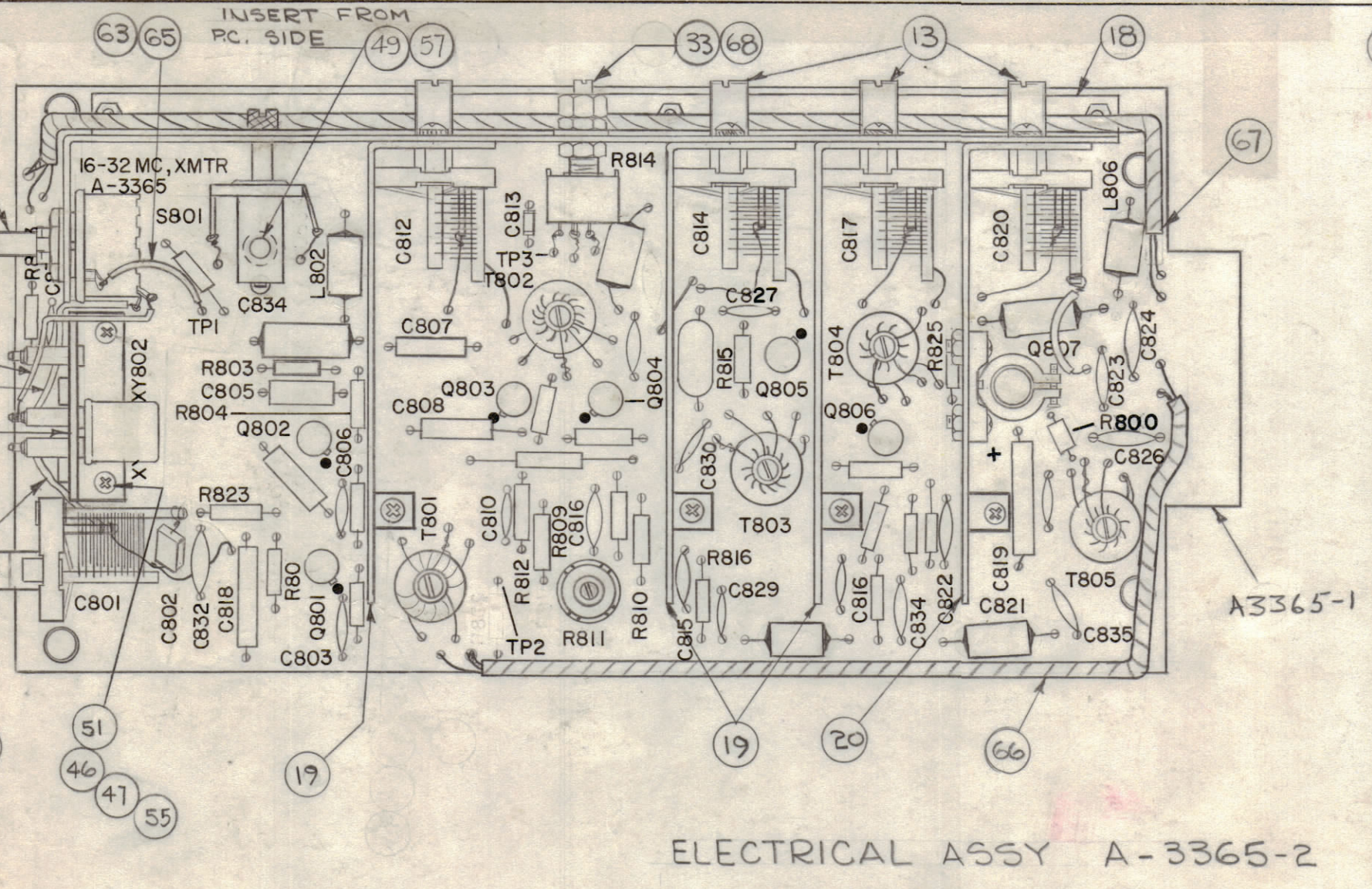
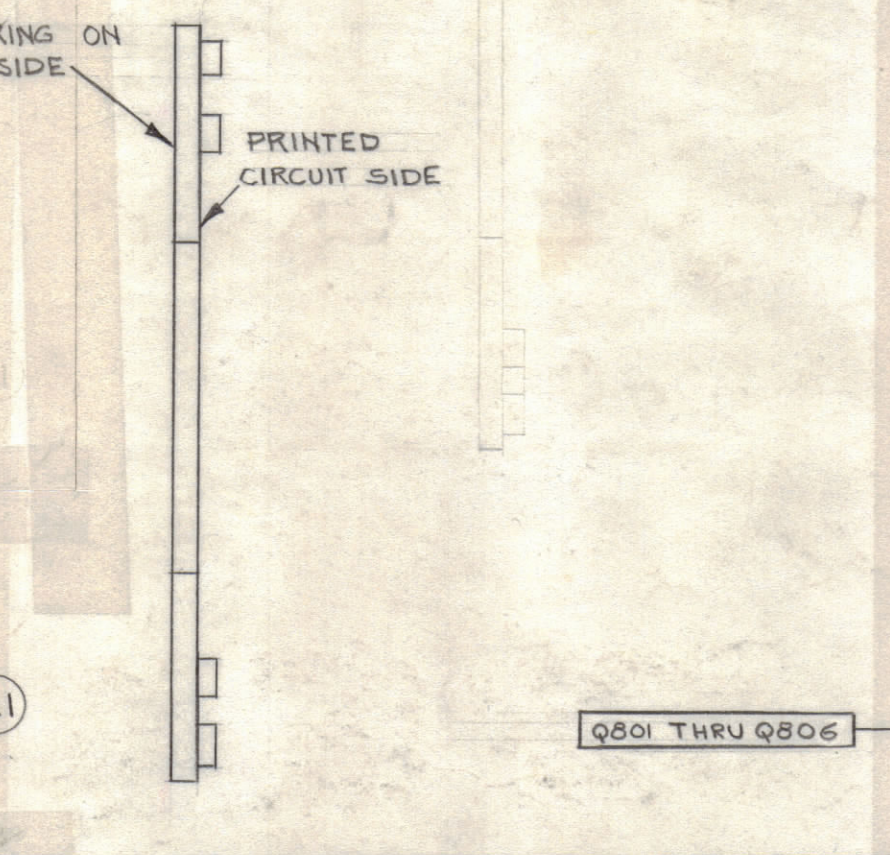
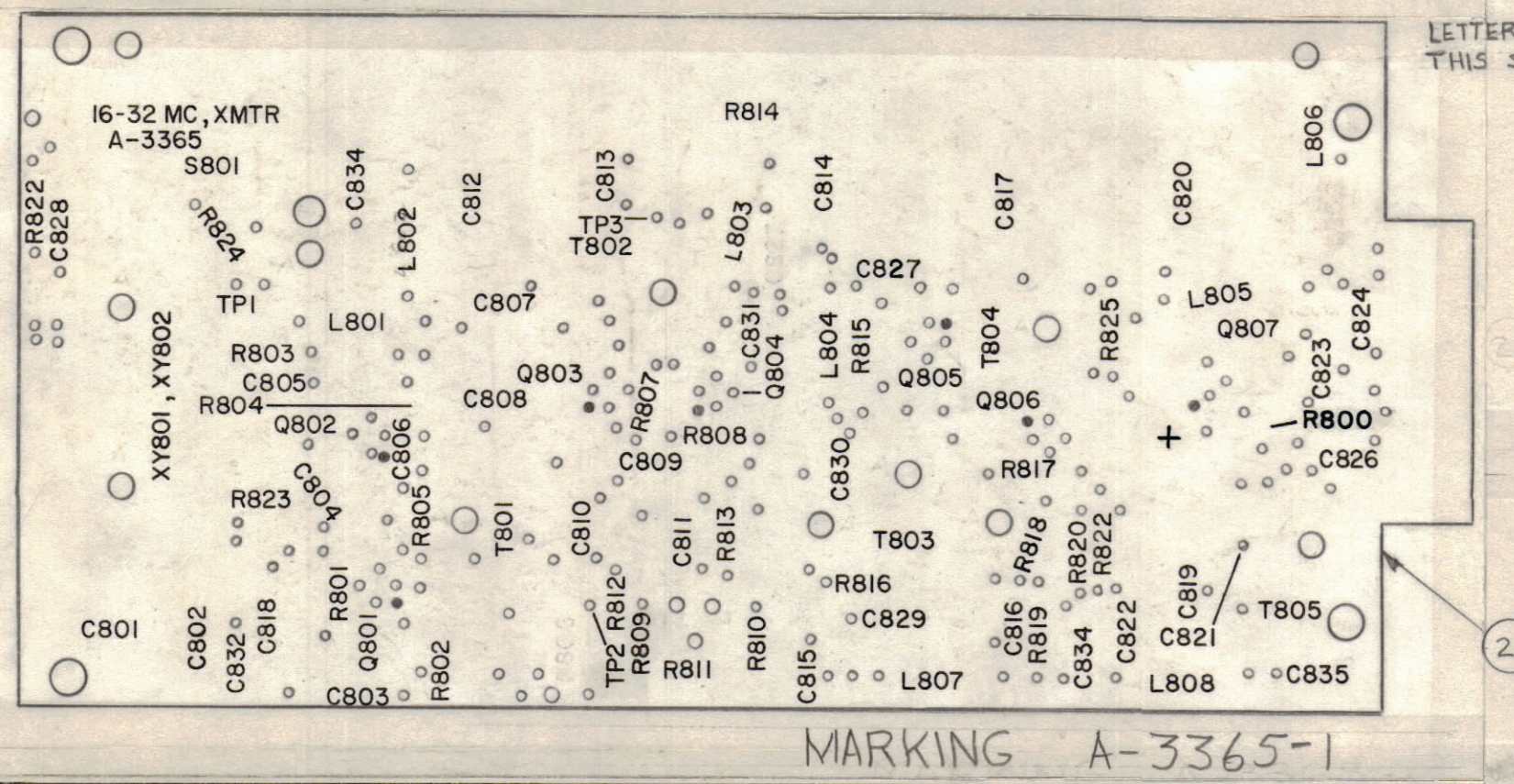


- UNLESS OTHERWISE SPECIFIED -
 1- ALL LETTERING TO BE 3/32 HIGH, WHITE
 GOTHIC,
 2- MARKING PROCESS PER TMC SPEC S-727.
 3- ALL LINES TO BE .015 STROKE, WHITE GOTHIC.
 4- ALL DOTS TO BE 1/16 DIA, WHITE GOTHIC.

REVISIONS					
SYM	DESCRIPTION	DATE	EMN #	DRAFT	CHKD
A	UPDATED PER EMN # 11376	5-8-69	11376	WB	W
B	UPDATED PER EMN # 11741	7-14-69	11741	WB	W
C	UPDATED PER EMN # 12329	9-10-69	12329	GP	W
D	ON B/M: IT. 69 "560K" WAS "121K";	10-21-69	12734	FF	W
E	IT. 22 QTY. WAS 4, (R806) DELE. IT. 41 P/N WAS 2N2219; IT. 42 P/N WAS 2N2084; IT. 47 QTY. WAS 17; IT. 70 P/N WAS 2N2495; IT. 72, 73 & 74 ADD.	1-26-65	13332	9J	W
F	IT 70 DELETED. IT 42 Q805 F6 ADDED QTY WAS 4	10/2/65	14954	HYK	W
G	IT. 72 WAS RC20GF221J	7-7-66	16509	JB	W



- ASSEMBLY NOTICE -
 1- TO MOUNT COMPONENTS, INSERT LEAD THROUGH PLATED THRU HOLES & BEND ABOUT 1/16 OF LEAD OVER COPPER FOIL AS SHOWN.
 2- APPLY HEAT & SOLDER TO LEAD & FOIL ~ CAUTION ~ TOO MUCH HEAT WILL CAUSE FOIL TO SEPARATE FROM THE BOARD.
 3- CLEAN & INSPECT PER SPEC S-676.

NOTES

REQ'D.	ITEM	PART NUMBER	DESCRIPTION	SYMBOL
	74	PX370-3-7	INS., SLVG.-TEF.	
	4	LW104MRN	WASHER, LOCK, INTERNAL	
	1	RC20GF102J	RESISTOR, FIXED, COMPOSITION	R805
	1	RC20GF390J	RESISTOR, FIXED, COMPOSITION	R800
	70	DELETED		
	69	RC20GF560K	RESISTOR, FIXED, COMPOSITION	R825
	1	NTH2532BN10	NUT, HEX	
	1	CA-808-2	CABLE ASSEMBLY, SHIELDED	W801
	1	CA-418-9	CABLE ASSEMBLY, R.F.	W802
	1-02	WL-100-8	WIRE, BUSS, SIZE 24	
	0-3	PX-104-7-022	SLEEVING, SIZE 24	GRAY
	0-2	PX-104-6-022		BLUE
	0-2	PX-104-4-002		GREEN
	0-2	PX-104-3-022		RED
	0-2	PX-104-2-022	SLEEVING, SIZE 24	YELLOW
	X	BS-100	SOLDER, SOFT	
	17	SCBP0440BN4	SCREW, MACHINE	
	1	SCBP0632BN4	SCREW, MACHINE	
	1	NTH3732BN18	NUT, HEX	
	2	SCBP0440BN5	SCREW, MACHINE	
	5	SC-143-0440B10	SCREW, MACHINE, NYLON	
	53	DELETED		
	52	DELETED		
	11	NTH0440BN6	NUT, HEX	
	10	NT-137-0440	NUT, HEX, NYLON	
	1	LW106MRN	WASHER, LOCK, INTERNAL	
	1	LW137MRN	WASHER, LOCK, INTERNAL	
	13	LWEO4MRN	WASHER, LOCK, EXTERNAL	
	2	FW04HBN	WASHER, FLAT	
	45	DELETED		
	10	FW-101-1	WASHER, FLAT, NYLON	
	7	PX-829-1	PAD, TRANSISTOR MOUNTING	
	6	TX109	TRANSISTOR	Q807
	1	TX100	TRANSISTOR	Q805
	1	TZ-157	TRANSFORMER, R.F.	T801
	1	TZ-141		T804
	1	TZ-156		T803
	1	TZ-155		T802
	1	TZ-154	TRANSFORMER, R.F.	
	1	SW-192-12NSJ	SWITCH, ROTARY	S801
	1	RV 111 U501A	RESISTOR, VARIABLE, COMPOSITION	R811
	1	RV106UX 8B501A	RESISTOR, VARIABLE, COMPOSITION	R814
	1	RC20GF680K	RESISTOR, FIXED, COMPOSITION	R815
	3	RC20GF561K		
	1	RC20GF560K		R822
	2	RC20GF472J		R816
	1	RC20GF470K		
	3	RC20GF331K		
	2	RC20GF273J		
	2	RC20GF222K		
	2	RC20GF183J	RESISTOR, FIXED, COMPOSITION	
	1	RC20GF123K	RESISTOR, FIXED, COMPOSITION	R820
	2	RC20GF102K	RESISTOR, FIXED, COMPOSITION	
	1	PC-102-3	P.C. BOARD	
	1	MS-3560	SHIELD, R.F. OUTPUT	
	3	MS-3380	SHIELD, R.F.	
	1	MS-3372	BRACKET, CAPACITOR MOUNTING	
	1	LD-1342/MS-3414	BRACKET, XTAL SOCKET	
	1	HD-100	HEAT SINK, CONDUCTION	
	1	CV-113-11	CAPACITOR, VARIABLE, MICA	C833
	1	CT-104-3	CAPACITOR, VARIABLE, AIR	C801
	4	CT-103-1	CAPACITOR, VARIABLE, AIR	
	1	CM20B511J	CAPACITOR, FIXED, MICA	C818
	2	CM15B330J		C808, 809
	1	CM15B220J		C802
	1	CM15B200J		C807
	1	CM15B111J		C804
	1	CM15B101J	CAPACITOR, FIXED, MICA	C805
	1	CL-270-0.68	COIL, R.F., FIXED	L801
	7	CL-240-100	COIL, R.F., FIXED	
	1	CE-107-1	CAPACITOR, FIXED, ELECTROLYTIC	C819
	4	CC-100-33	CAPACITOR, FIXED, CERAMIC, DISC	
	16	CC-100-16	CAPACITOR, FIXED, CERAMIC	
	1	CC20RH020C	CAPACITOR, FIXED, CERAMIC	C813

PALMER		LIST OF MATERIAL	
MATERIAL	FINISH	THE TECHNICAL MATERIEL CORP. MAMARONECK, NEW YORK	
		TITLE PRINTED CIRCUIT BOARD ASSEMBLY 16-32 MC, XMTR	
UNLESS OTHERWISE SPECIFIED DIMENSIONS ARE IN INCHES AND INCLUDE CHEMICALLY APPLIED OR PLATED FINISHES		DRAWN G. J. Palmer	DATE 1-27-64
DECIMALS .X ± .05 .XX ± .01 .XXX ± .005		CHECKED	DATE
FRACTIONS ± 1/64 ANGLES ± 0° 30'		ELECT. DES. W.A. Palmer	DATE 2/10/64
TOLERANCES		MECH. DES.	DATE
1		A-3365	
TTRT-4		G	
A-		REV. LTR.	