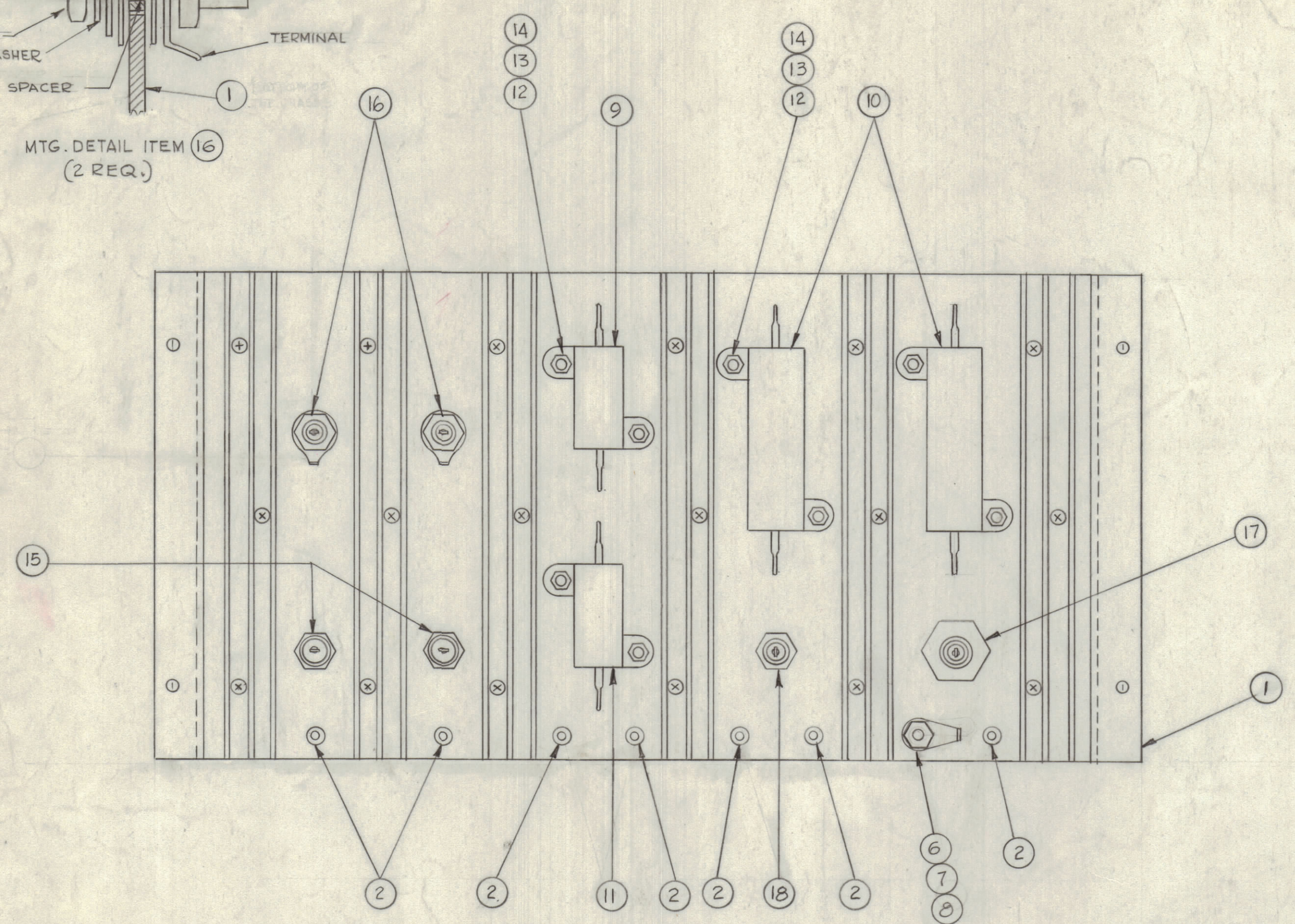
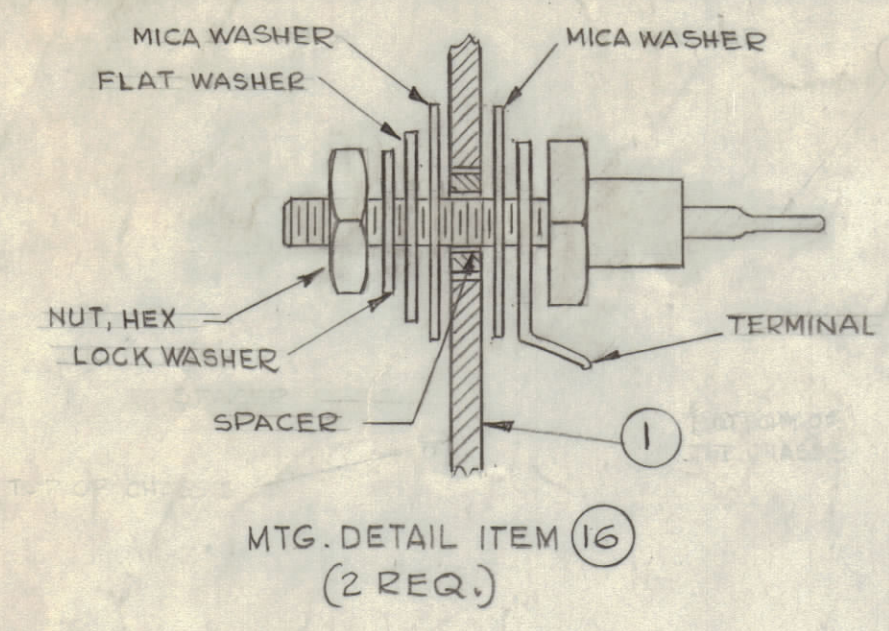
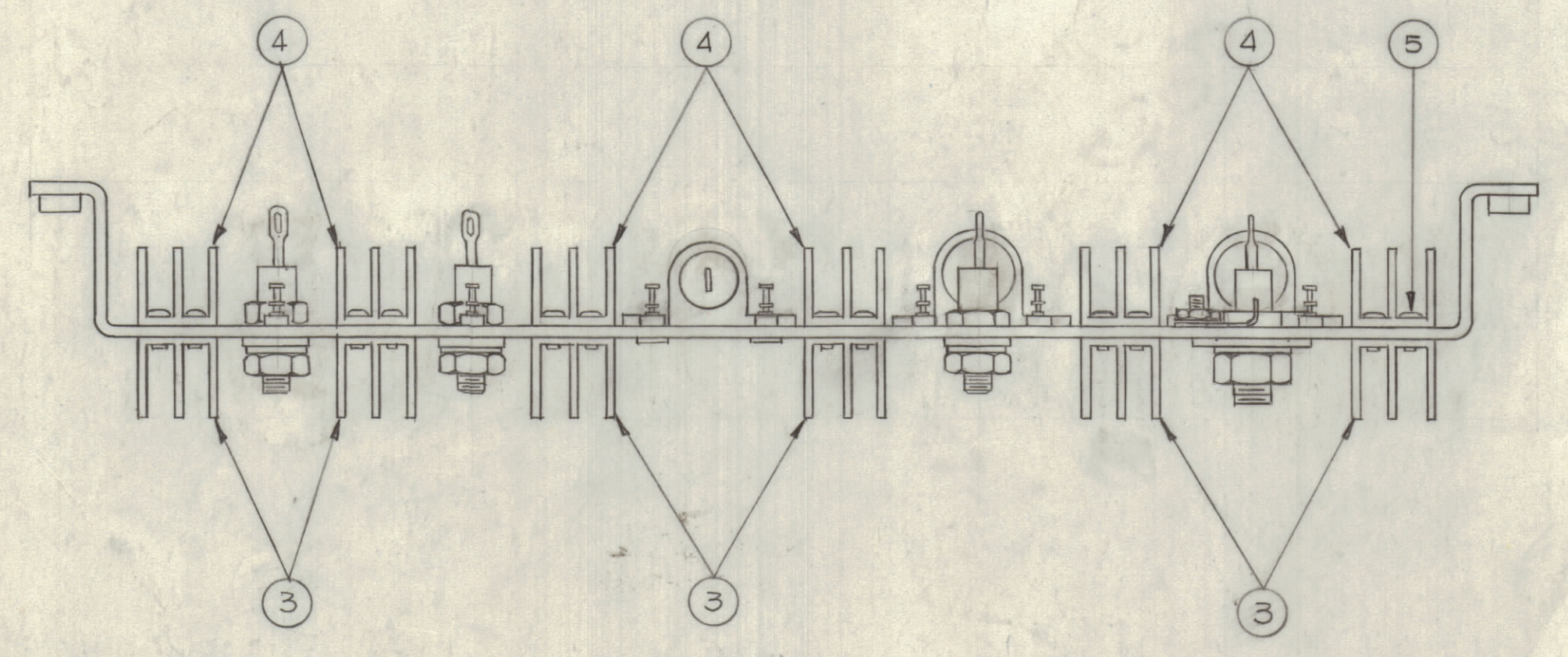


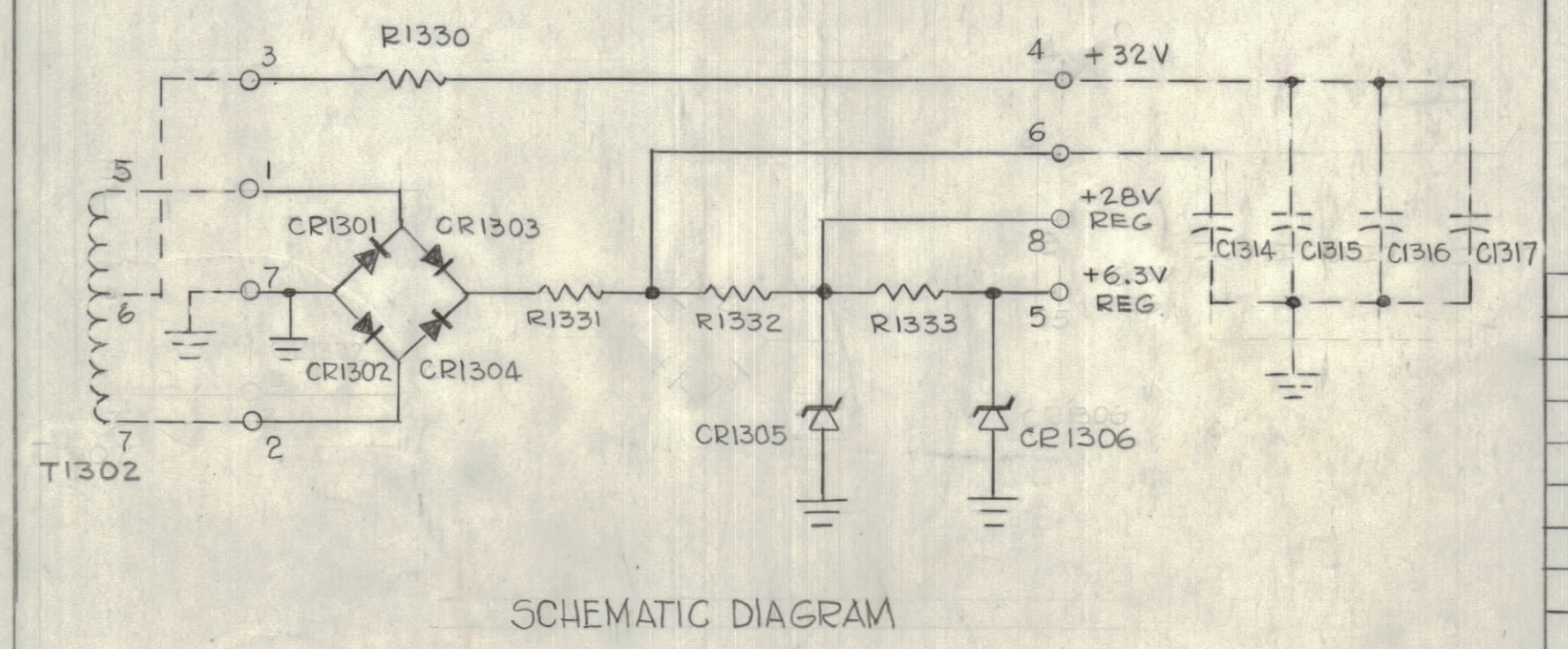
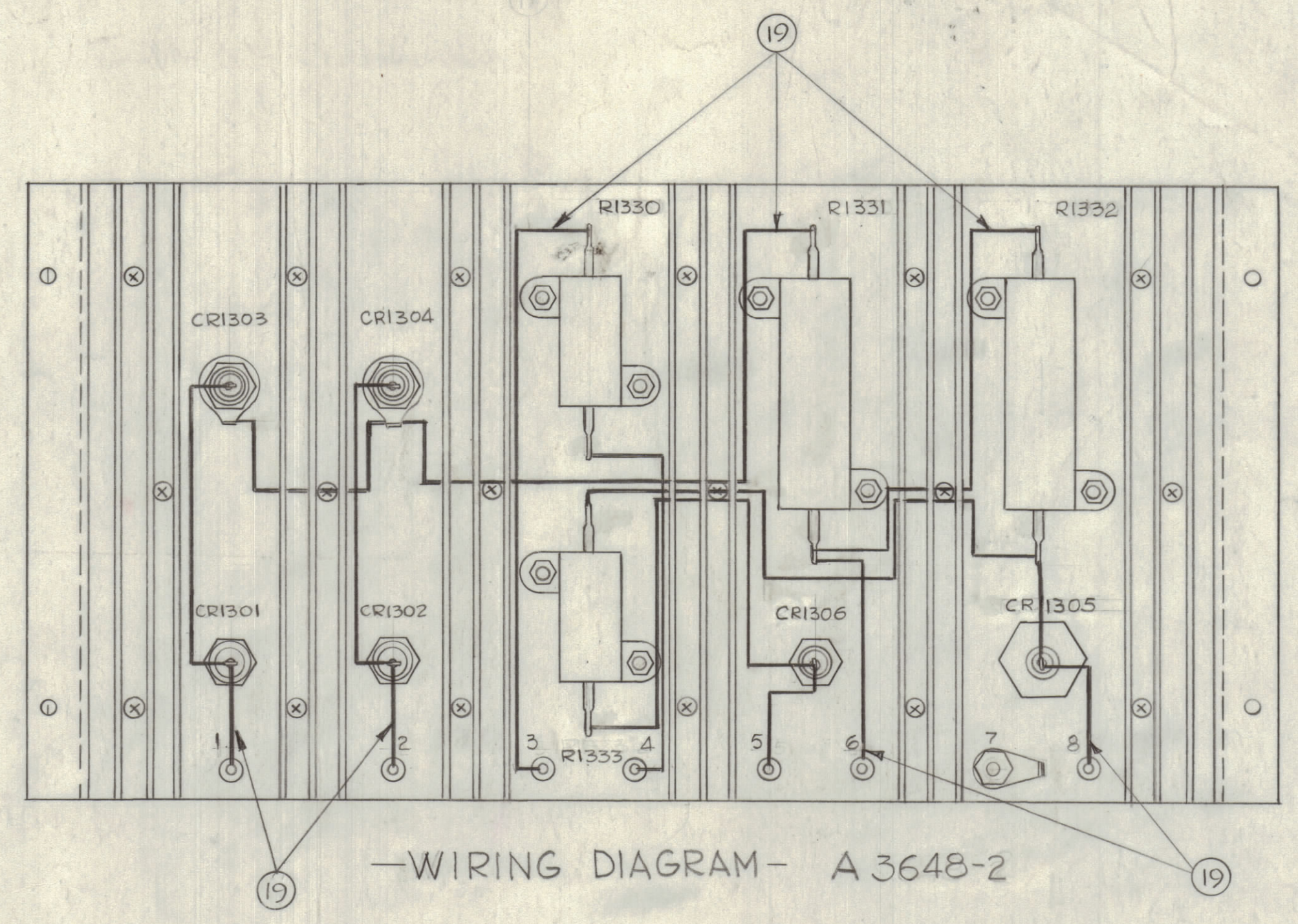
ZONE		BYM	DESCRIPTION	DATE	E.M.N. NO.	DRAFT	CHKD	APPD
+	X		EXPERIMENTAL RELEASE	5-12-64	#	g.jh		
+	X		SCHEMATIC DIAGRAM ADDED	7-28-64	#	g.jh		
			ORIGINAL RELEASE FOR PRODUCTION	8-15-64		g.jh		
B3	A		IT. 9 WAS RE70G15R00	102064	12707	JTB	@	JTB



- SUB-ASSEMBLY -
A 3648-1



SUB-ASSEMBLY



QTY./UNIT	CODE	MODEL USED ON	ASSY. NO.	RECD.	ITEM	PART NUMBER	DESCRIPTION	SYMBOL
X	20	BS-100					SOLDER, SOFT	WHT
X	19	W1140E20E9					WIRE, TEFLON INSULATED	
1	18	VR101-6.555					DIODE, ZENER	CR1306
1	17	IN3323B					DIODE, ZENER	CR1305
2	16	IN1582					DIODE	CR1304 CR1303 CR1302 CR1301
2	15	IN1582R					DIODE	
8	14	NTH0440BN8					NUT, PLAIN HEX.	
8	13	LWE04WRN					WASHER, LOCK EXTERNAL	
8	12	SCBP0440BN5					SCREW, MACHINE	
1	11	RE70680R0					RESISTOR, FIXED WIREWOUND	R1333
2	10	RE75G15R0					RESISTOR, FIXED WIREWOUND	R1332 R1331
1	9	RE70G1R00					RESISTOR, FIXED WIREWOUND	R1330
1	8	NTH0832BN8					NUT, PLAIN HEX	
1	7	TE104-3					TERMINAL, LOCKING	
1	6	SCBP0832BN6					SCREW, MACHINE	
18	5	SCBP0256SS4					SCREW, MACHINE	
6	4	PM1059					HEAT SINK, ELECTRONIC COMP.	
6	3	PM1060					HEAT SINK, ELECTRONIC COMP.	
7	2	TE192-A3-R-9					TERMINAL, TEFLON INSULATED	
1	1	LD1488/MS3745					CHASSIS, POWER SUPPLY	

MATERIAL		THE TECHNICAL MATERIEL CORP. MAMARONECK, NEW YORK	
FINISH		TITLE	POWER SUPPLY, LOW VOLTAGE
SCALE	1:1	DRAWN	G.D.L.
DATE	8-11-64	CHECKED	@
DATE	8-11-64	ELECT. DES.	JTB
DATE	7/16/64	MECH. DES.	
DATE		REV. LTR.	

NOTES

THE CONTENTS OF THIS DRAWING ARE THE EXCLUSIVE PROPERTY OF THE TECHNICAL MATERIEL CORP. ITS UNAUTHORIZED USE OR REPRODUCTION IN WHOLE OR IN PART IS STRICTLY FORBIDDEN.

UNLESS OTHERWISE SPECIFIED DIMENSIONS ARE IN INCHES AND INCLUDE CHEMICALLY APPLIED OR PLATED FINISHES

DECIMALS: .X ± .05, .XX ± .01, .XXX ± .005
FRACTIONS: ± 1/64, ANGLES: ± 0° 30'

A 3648 A

B

A