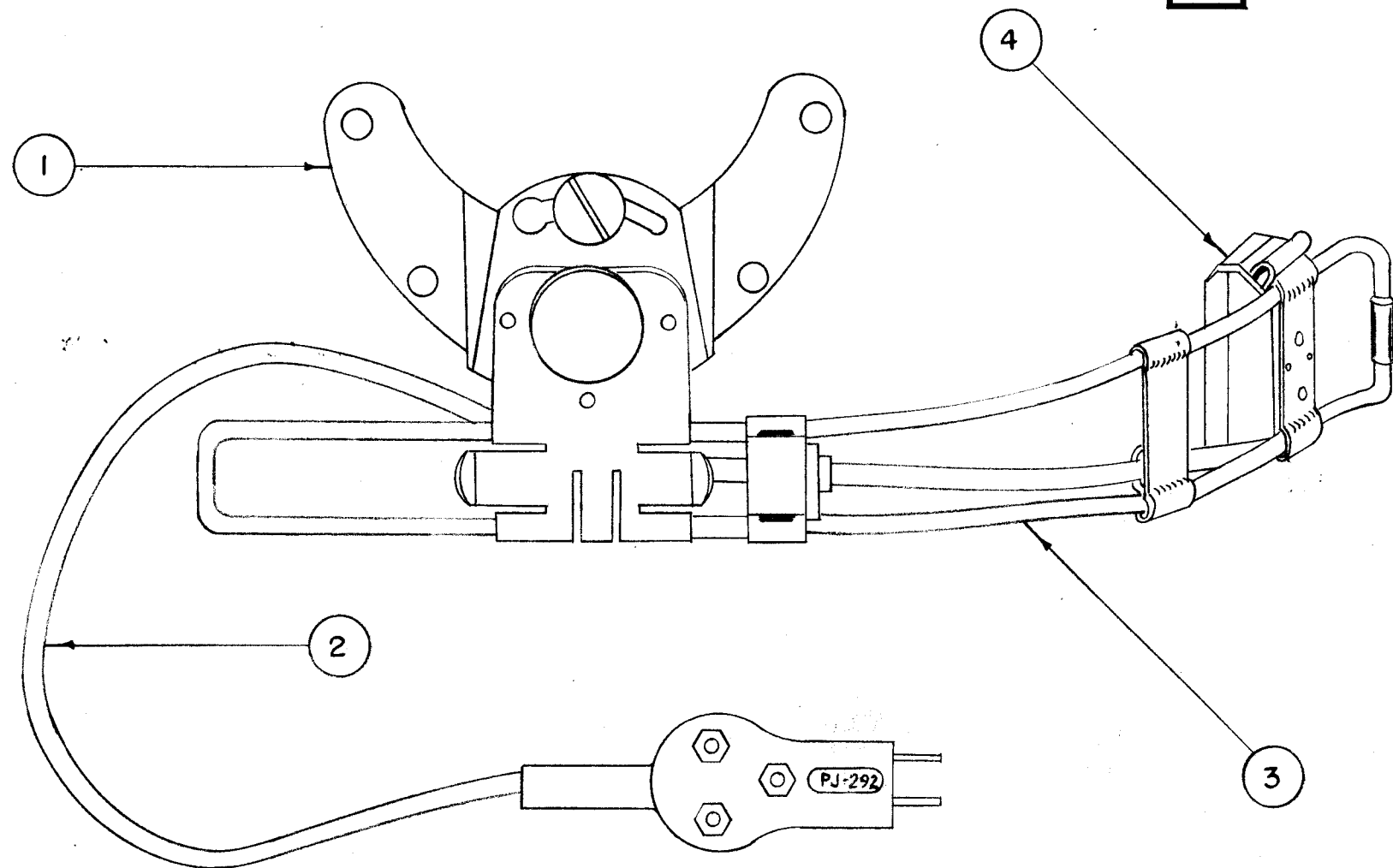


IF IT IS FOUND DESIRABLE TO CHANGE ANY TOLERANCE OR OTHER DETAIL SPECIFIED ON THIS DRAWING NOTIFY THE PURCHASER PROMPTLY.

MAXIMUM ALLOWABLE TOLERANCES HAVE BEEN DETERMINED AND DEVIATIONS WILL BE CAUSE FOR REJECTION. REMOVE ALL BURRS AND SHARP EDGES

A-433



1	4	M6A/UR	MICROPHONE	
1	3	MT-522 A/U	BOOM	
1	2	CA-163	CORDSET, MICROPHONE	
1	1	MT-521 A/U	SWIVEL BRACKET ASSY.	
REQ.	ITEM	PART NO.	DESCRIPTION	SYMBOL
STOCK SIZE			THE TECHNICAL MATERIEL CORP. MAMARONECK. NEW YORK	
MATERIAL				
WEIGHT PER PC.			MICROPHONE-BOOM-SWIVEL	
TYPE & TEMPER			BRACKET ASSEMBLY	
HEAT TREAT. SPEC.			C.P.D. A-3-53	
FINISH & SPEC. NO.			DRAWN	
			ELEC. DES. APP.	
			MECH. DES. APP.	
			CHECKED	
			FINAL APPROVAL	
			A-433	

Ø	ORIGINAL RELEASE	7/16/69	CO				
ISSUE	ITEM	CHANGED FROM	DATE	CN. NO.	DRAFTS	CHECKER	ENG. APP.
TOLERANCES			SCALE: 1" = 1"				
ALL OTHERS	DEC. DIM. ± FRAC. DIM. ± ANGULAR DIM. ±		DRILL, PUNCH, COMMERCIAL STOCK SIZES AND MANUFACTURERS TOLERANCES ARE NOT INCLUDED.				
MODEL		PROJECT NO.		ASSY. NO.		DATE	
USED ON							