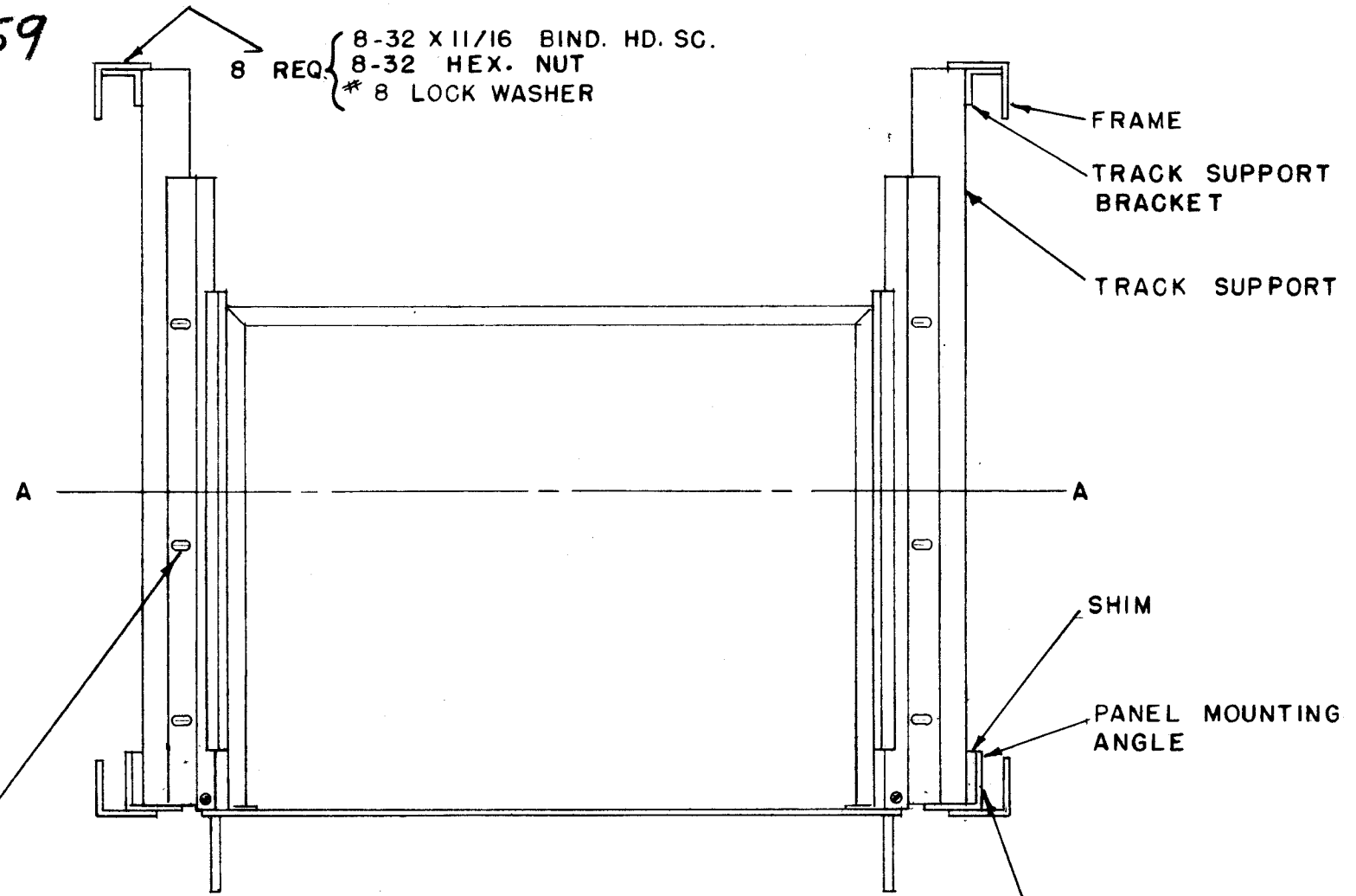


1-459



PLAN VIEW

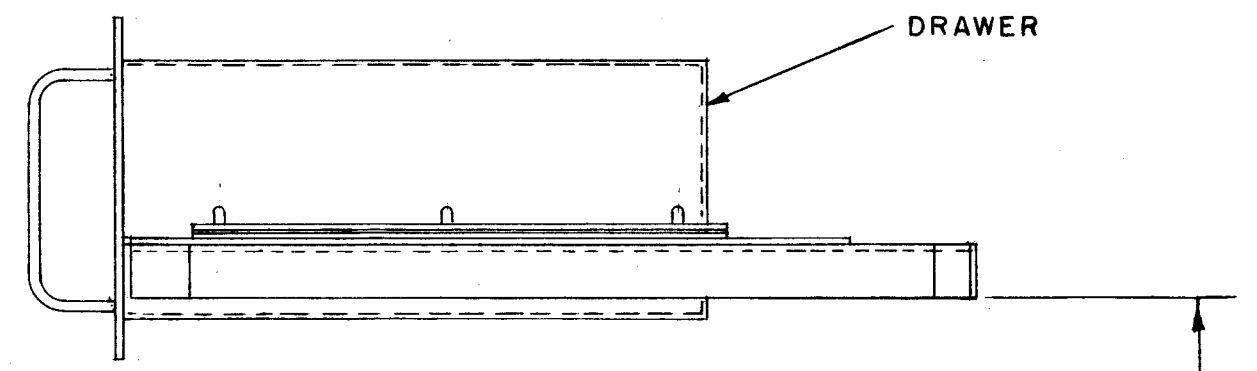
8 REQ. { 8-32 X 11/16 BIND. HD. SC.
8-32 HEX. NUT
* 8 LOCK WASHER

FRAME
TRACK SUPPORT BRACKET
TRACK SUPPORT

SHIM
PANEL MOUNTING ANGLE

EQ. { 8-32 X 1/2 BIND. HD. SC.
8-32 HEX. NUT
* 8 LOCK WASHER

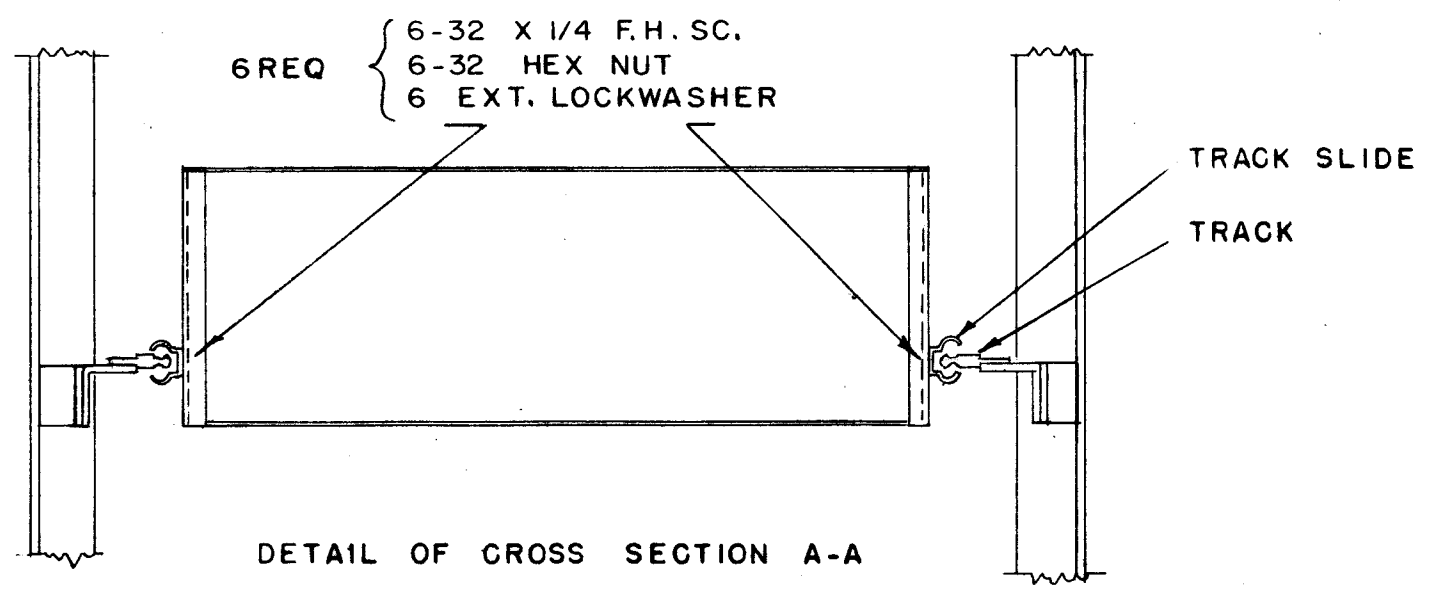
4 REQ. { 8-32 X 9/16 BIND. HD. SC.
8-32 HEX. NUT
* 8 FLAT WASHER
* 8 LOCK WASHER



SIDE VIEW

BOTTOM CROSS TIE

BASE



DETAIL OF CROSS SECTION A-A

6 REQ. { 6-32 X 1/4 F.H. SC.
6-32 HEX NUT
6 EXT. LOCKWASHER

TRACK SLIDE
TRACK

FIGURE 3-3	
UTILITY DRAWER ASSEMBLY	
DDR-2	
THE TECHNICAL MATERIEL CORPORATION	
MAMARONECK, NEW YORK	
DATE 10-30-51	CHKD. <i>pph</i>
DRAWN <i>JAD</i>	APPD. <i>pph</i>
SHEET OF	NO A-4591A

SYN	DESCRIPTION	DATE	CHK	APP
	A TRACK HARDWARE ADDED	1/11/52	<i>WV</i>	<i>WV</i>

WAS BMS 058