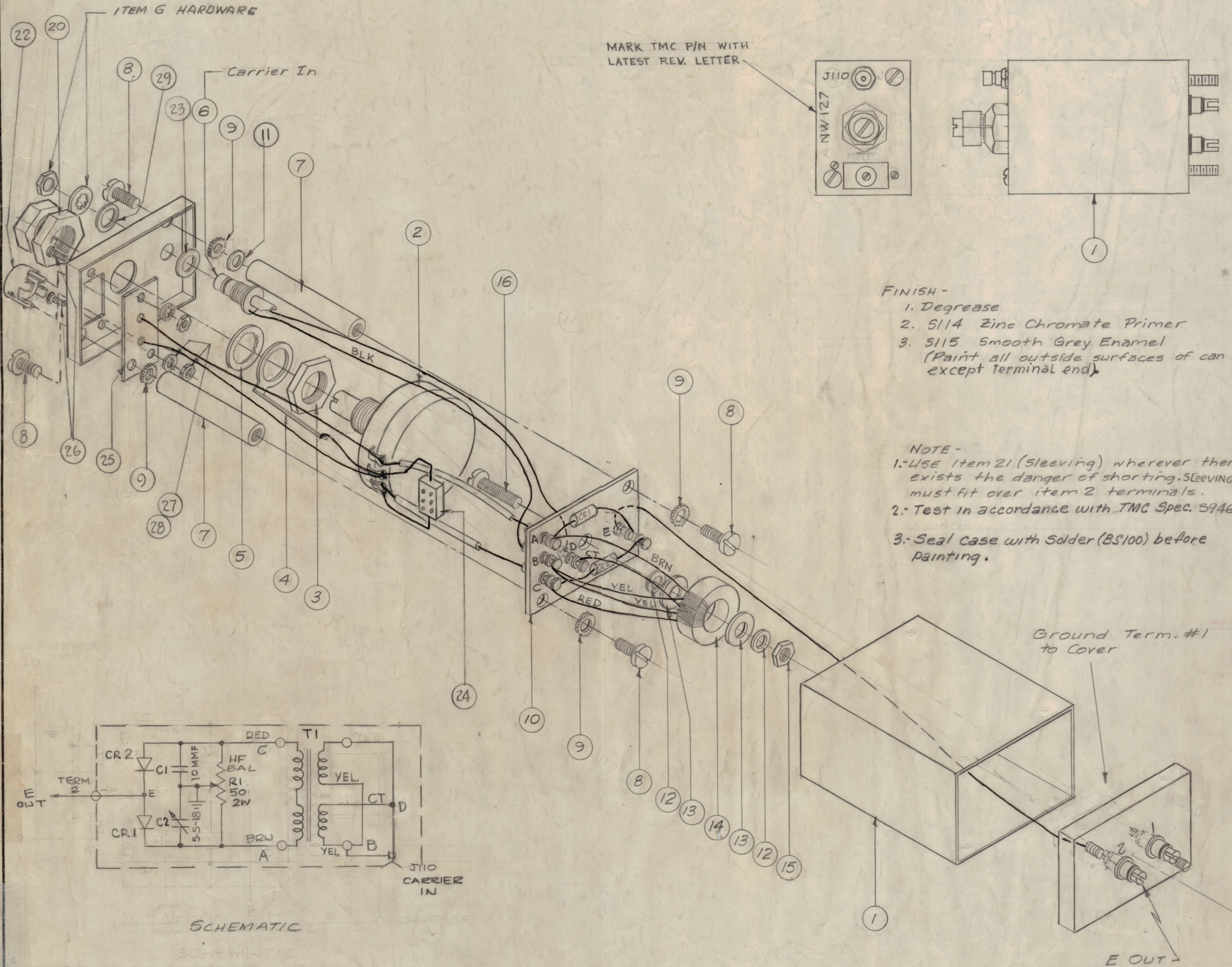


IF IT IS FOUND DESIRABLE TO CHANGE ANY TOLERANCE OR OTHER DETAIL SPECIFIED ON THIS DRAWING NOTIFY THE PURCHASER PROMPTLY.
 MAXIMUM ALLOWABLE TOLERANCES HAVE BEEN DETERMINED AND DEVIATIONS WILL BE CAUSE FOR REJECTION.
 REMOVE ALL BURRS AND SHARP EDGES

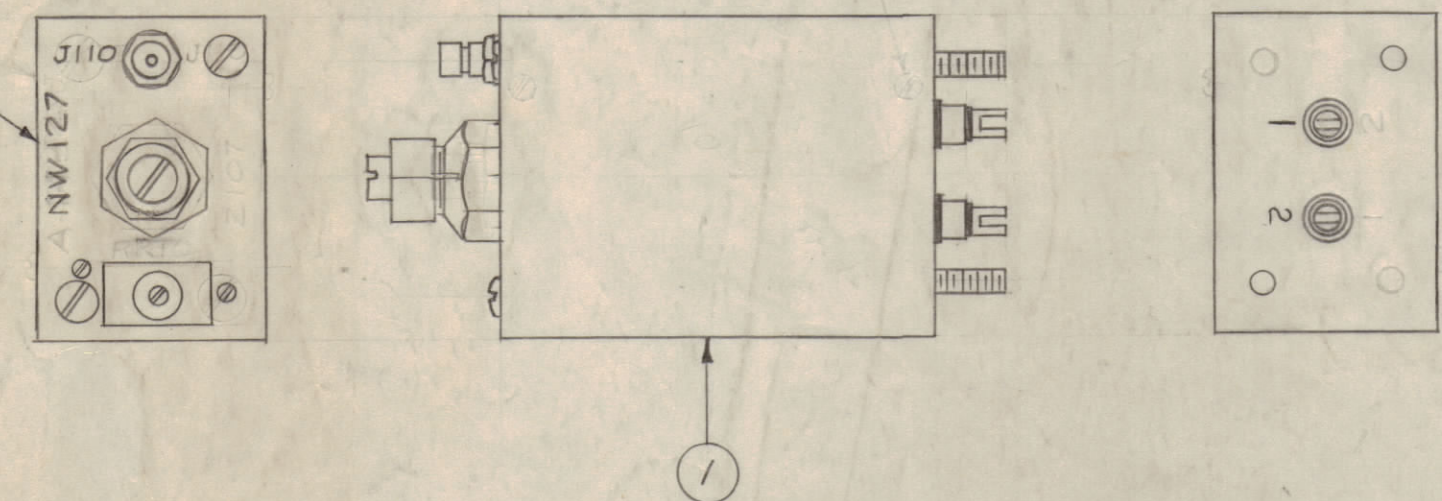
NOTICE TO PERSONS RECEIVING THIS DRAWING
 THE TECHNICAL MATERIEL CORPORATION claims proprietary right in the material disclosed hereon. This drawing is issued in confidence for engineering information only and may not be reproduced or used to manufacture anything shown hereon without permission from THE TECHNICAL MATERIEL CORPORATION to the user. This drawing is loaned for mutual assistance and is subject to recall at any time.

Property of:
 THE TECHNICAL MATERIEL CORPORATION
 MAMARONECK, NEW YORK

Stamp Unit as shown - 1/8 high blk. Gothic. (After Painting)



MARK TMC P/N WITH LATEST REV. LETTER



- FINISH -**
1. Degrease
 2. 5114 Zinc Chromate Primer
 3. 5115 Smooth Grey Enamel
(Paint all outside surfaces of can except terminal end)

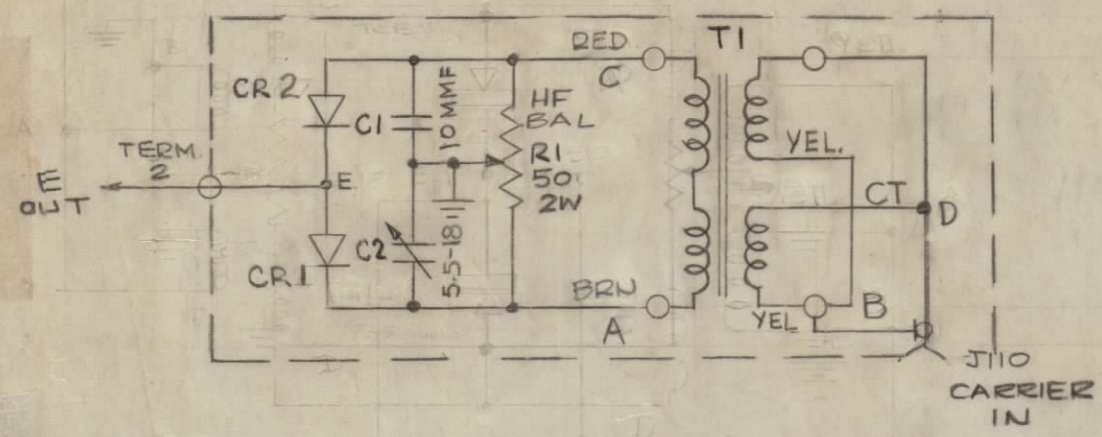
- NOTE -**
1. Use Item 21 (Sleeving) wherever there exists the danger of shorting. Sleeving must fit over item 2 terminals.
 2. Test in accordance with TMC Spec. 5946
 3. Seal case with Solder (BS100) before painting.

Ground Term. #1 to Cover

1	29	WA109-5	WASHER, NON METALLIC	
2	28	LWI04MEN	WASHER LOCK, INT.	
2	27	NTH0348BN6	NUT, PLN, HEX	
2	26	SCBP0348BN3	SCREW, MACHINE	
1	25	PX 930	BOARD, INSULATOR	
1	24	CM15-B100-J	CAPACITOR, FXD, MICA	C1
1	23	WA102-6	WASHER, NON METALLIC	
1	22	CV112-1	CAPACITOR, VAR.	C2
X	21	PX104-1-106	Insulation, Sleeving	

A4230 C

1	20	PO-104	SHAFT LK, EL COMP	
X	18	BS-100	Solder, TIN ALLOY	
X	17	WL-100-7	Wire, ELEC, BUSS	
1	16	SCI143-0632B12	Screw, Machine NYLON	
1	15	NT137-0632	Nut, PLN, HEX	
1	14	TF-172	Transformer, RF-HF MOD.	T1
2	13	FW101-1	Washer, NM, NYLON	
2	12	FW101-2	Washer, NM, NYLON	
1	11	FW06HBN	WASHER, FLAT	
1	10	A4229-4	Terminal Board	
4	9	LWE06MRN	WASHER LOCK, Ext.	
4	8	SCBP0632BN6	Screw, Machine	
2	7	TE-135-5	NUT, PLN RD	
1	6	JJ-154	Connector, RECEPTACLE, RF MALE	
1	5	LWI37MRN	WASHER LOCK, Int.	
1	4	TE-111-2	TERMINAL, LUG	
1	3	NTH3732BN16	Nut, PLN, HEX	
1	2	RVANAY5D500A	Resistor, Variable	R1
1	1	BX-217	Case & Covers	



SCHEMATIC

ISSUE	ITEM	CHANGED FROM	DATE	CN. NO.	DRAFT	CHECKER	ENG. APP.
	C	IT. 16 WAS SCI143-0632B11	3-8-67	17941			
	B	5946 ADDED TO NOTE 2	7/17/65	14831			
	A	ON SCHEM: (CR1 & CR2) (C & A) (B & D) REVERSED; (CT & YEL) RELOC; ON PICT: (RED & BROWN) REVERSED.	5-3-65	14010			
		ORIGINAL RELEASE	4-15-68				

1	SBE-2A			4-12-65
REQ PER UNIT	MODEL	PROJECT NO.	SYMBOL LABBY. NO.	DATE

REQ. ITEM	PART NO.	DESCRIPTION	SYMBOL
THE TECHNICAL MATERIEL CORP. MAMARONECK, NEW YORK			
STOCK SIZE			
H.F. MODULATOR			
MATERIAL		WEIGHT PER PC.	
TYPE & TEMPER			
DRAWN		ELEC. DES. APP. MECH. DES. APP.	
HEAT TREAT. SPEC.			
CHECKED		FINAL APPROVAL	
FINISH & SPEC. NO.			

A4230 C