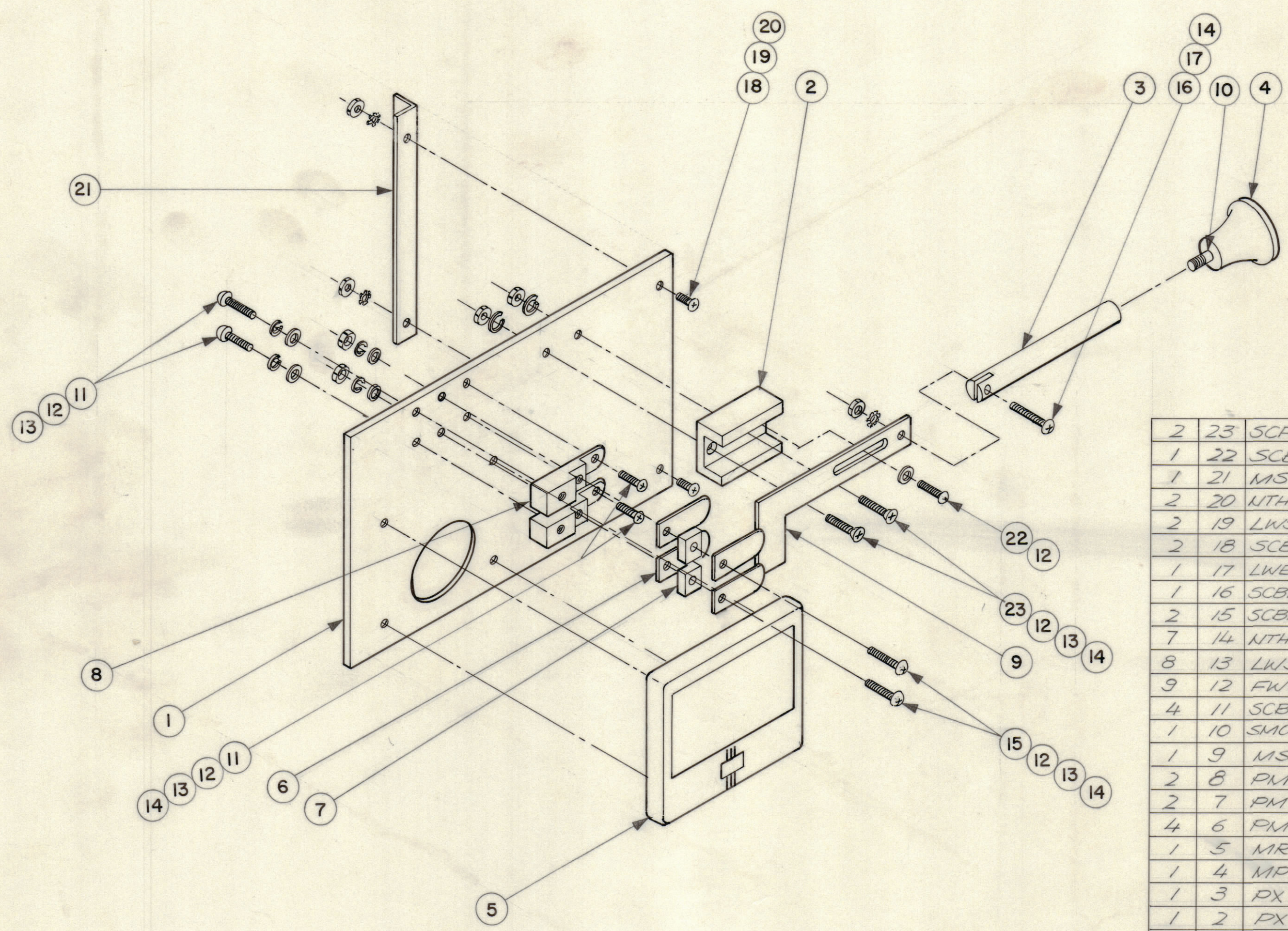


| REVISIONS |       |      |      |     |                                    |         |          |
|-----------|-------|------|------|-----|------------------------------------|---------|----------|
| E.M.N.NO  | DRAFT | CHKD | ZONE | LTR | DESCRIPTION                        | DATE    | APPROVED |
|           | W     |      |      | D   | ORIGINAL RELEASE FOR PRODUCTION    | 3/8/72  |          |
| 20705     | GE    | EG   |      | A   | CHG. IT.10 P/N WAS SM0632 BN 0.250 | 5/25/72 | EG       |



| QTY. REQ. | ITEM | PART NO.      | DESCRIPTION          | SYMBOL |
|-----------|------|---------------|----------------------|--------|
| 2         | 23   | SCFB0632BN8   | SCREW FLAT HEAD      |        |
| 1         | 22   | SCBP0632BN6   | SCREW MACHINE        |        |
| 1         | 21   | MS 6281-1     | BKT. EXTRUDED        |        |
| 2         | 20   | NTH0832BN10   | NUT HEX              |        |
| 2         | 19   | LWS08MRN      | WASHER, LOCK         |        |
| 2         | 18   | SCBP0832BN8   | SCREW MACHINE        |        |
| 1         | 17   | LWE06MRN      | WASHER LOCK          |        |
| 1         | 16   | SCBP0632BN8   | SCREW MACHINE        |        |
| 2         | 15   | SCBP0632BN12  | SCREW MACHINE        |        |
| 7         | 14   | NTH0632BN10   | NUT, HEX             |        |
| 8         | 13   | LWS06MRN      | WASHER LOCK          |        |
| 9         | 12   | FW06LBN       | WASHER FLAT          |        |
| 4         | 11   | SCBP0632BN8   | SCREW MACHINE        |        |
| 1         | 10   | SM0832BN0.750 | STUD 6-32 3/4 LG.    |        |
| 1         | 9    | MS 6270       | CONTACT, BAR         |        |
| 2         | 8    | PM 1319       | BASE, SWITCH CONTACT |        |
| 2         | 7    | PM 1324       | SPACER               |        |
| 4         | 6    | PM-1210-4     | SPRING LEAF WIPER    |        |
| 1         | 5    | MR 178        | METER                |        |
| 1         | 4    | MP 126-1      | KNOB                 |        |
| 1         | 3    | PX 1169       | SHAFT                |        |
| 1         | 2    | PX 1168       | GUIDE, CONTACT       |        |
| 1         | 1    | PX 1173       | PANEL METER MTG      |        |

| QTY. REQ.        | ITEM | PART NO. | DESCRIPTION | SYMBOL |
|------------------|------|----------|-------------|--------|
| FB.              |      |          |             |        |
| LIST OF MATERIAL |      |          |             |        |

| 1           | MAT-5         | BHA-475   |
|-------------|---------------|-----------|
| QTY / UNIT  | MODEL USED ON | ASS'Y NO. |
| APPLICATION |               |           |
| CODE        |               |           |

NOTICE TO PERSONS RECEIVING THIS DRAWING  
 THE TECHNICAL MATERIEL CORPORATION claims proprietary right in the material disclosed herein. This drawing is issued in confidence for engineering information only and may not be reproduced or used to manufacture anything shown hereon without permission from THE TECHNICAL MATERIEL CORPORATION to the user. This drawing is loaned for mutual assistance and is subject to recall at any time.

|   |           |                             |                  |
|---|-----------|-----------------------------|------------------|
| UNLESS OTHERWISE SPECIFIED DIMENSIONS ARE IN INCHES AND INCLUDE CHEMICALLY APPLIED OR PLATED FINISHES |           | FINAL APPROVAL<br><i>DM</i> | DATE<br>3/14/72  |
| TOLERANCES ON   |           | MECH. DES.<br><i>AC</i>     | DATE             |
| DECIMALS  | FRACTIONS | ELECT. DES.                 | DATE             |
| .X ± .05  | ± 1/64    | CHECKED                     | DATE             |
| .XX ± .01   | ANGLES    | DRAWN<br><i>EVANGELIST</i>  | DATE<br>10/13/71 |
| .XXX ± .005   | ± 0° -30' | MATERIAL                    |                  |
| FINISH  |           | DATE                        |                  |

|  |                |         |       |
|--|----------------|---------|-------|
| THE TECHNICAL MATERIEL CORP.<br>MAMARONECK, NEW YORK |                |         |       |
| POWER OUT AMP METER ASSY.                            |                |         |       |
| SIZE   | CODE IDENT NO. | DWG NO. | ISSUE |
| C  | 82679          | A4903   | A     |
| SCALE  | SHEET          |         | OF    |