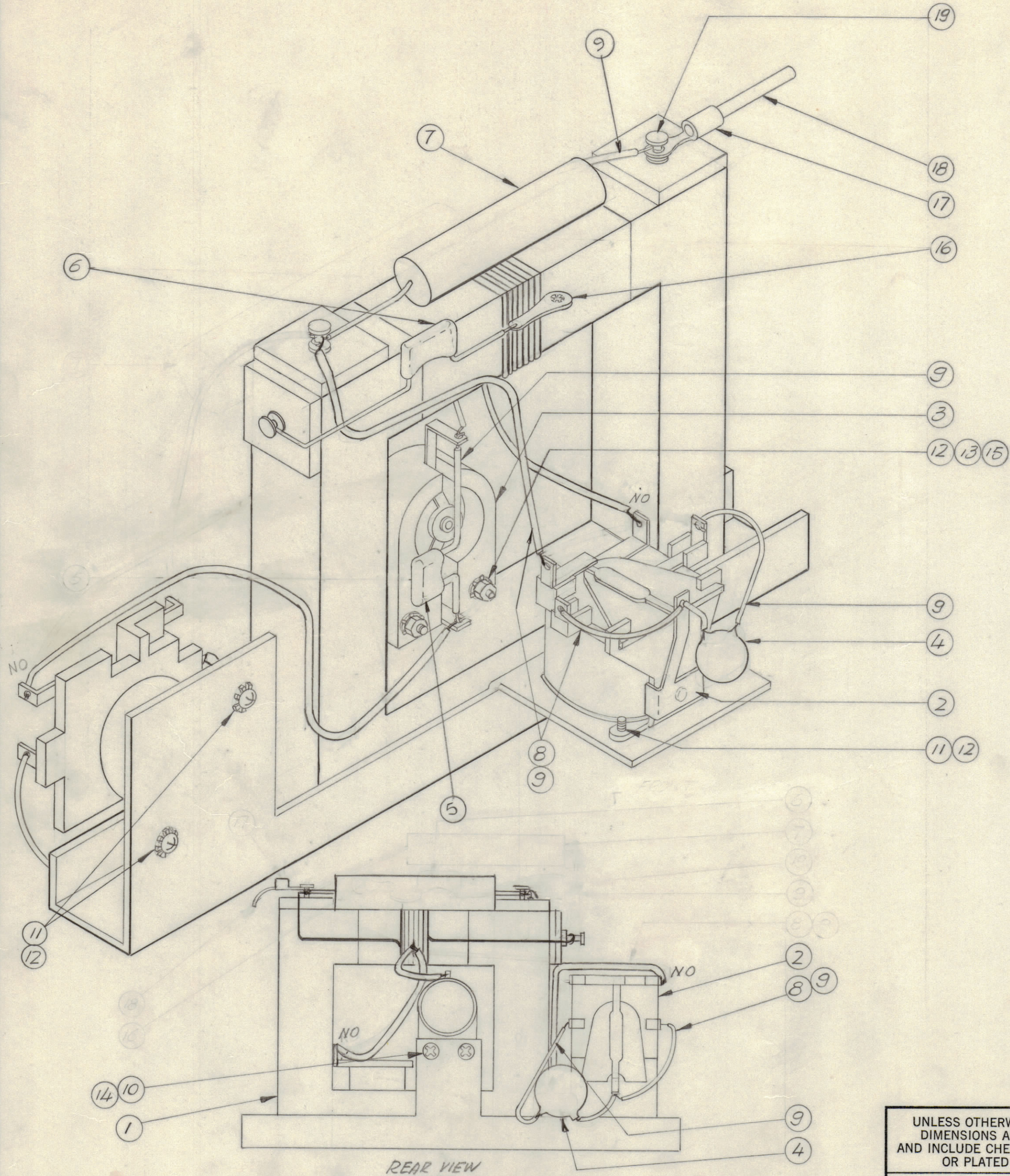


| REVISIONS | | | | | | | |
|-----------|-------|--------------------|------|-----|---------------------------------|---------|--------------------|
| E.M.N.O | DRAFT | CHKD | ZONE | LTR | DESCRIPTION | DATE | APPROVED |
| | G.E | | | Ø | ORIGINAL RELEASE FOR PRODUCTION | 4/18/72 | F.B |
| 21244 | GDL | <i>[Signature]</i> | | A | CONNECTIONS REVISED & UPDATED | 5-19-75 | <i>[Signature]</i> |



| QTY. REQ. | ITEM | PART NO. | DESCRIPTION | SYMBOL |
|-----------|------|--------------|-------------------------|----------------|
| X | 19 | BS 100 | SOLDER TIN ALLOY | |
| X | 18 | WL 100-3 | BUSS BAR | |
| 1 | 17 | TE 141-4 | TERM. LUG | |
| 1 | 16 | TE-104-2 | TERM LUG, LKG | |
| 2 | 15 | WA109-17 | WASHER, FIBER | |
| 2 | 14 | PX 1173-1 | SPACER NON METALLIC | |
| 2 | 13 | NTH 04408N6 | NUT, HEX | |
| 6 | 12 | LWE 04 MRN | WASHER, LOCK | |
| 4 | 11 | SCBP04408N4 | SCREW, MACHINE | |
| 2 | 10 | SCBP04408N10 | SCREW, MACHINE | |
| X | 9 | PX104-3-034 | INSULATION | |
| X | 8 | WL 100-7 | BUSS BAR | |
| 1 | 7 | RR116-1400W | RESISTOR, FIXED COMP. | R1303 |
| 1 | 6 | CM112F562J5S | CAPACITOR, FIXED, MICA | C1301 |
| 1 | 5 | CM111C151J5S | CAPACITOR, FIXED, MICA | C1306 |
| 2 | 4 | CC 100-37 | CAPACITOR, FIXED, MICA | C1302 C1305 |
| 1 | 3 | CV110 450 | CAPACITOR, VARIABLE | C1304 |
| 2 | 2 | RL 185 | RELAY CLAPPER | K1301 K1302 |
| 1 | 1 | TR 195 | TRANSFORMER, INTERSTAGE | T1301 |

| QTY. REQ. | ITEM | PART NO. | DESCRIPTION | SYMBOL | | |
|-----------------------|------|----------|-------------|---|---------|-------|
| F.B. LIST OF MATERIAL | | | | | | |
| FINAL APPROVAL | | DATE | | THE TECHNICAL MATERIEL CORP. MAMARONECK, NEW YORK ASSEMBLY MATCHING NETWORK | | |
| <i>[Signature]</i> | | 4/14/72 | | | | |
| MECH. DES. | | DATE | | | | |
| ELECT. DES. | | DATE | | | | |
| <i>[Signature]</i> | | 4/14/72 | | | | |
| CHECKED | | DATE | | | | |
| | | | | | | |
| DRAWN | | DATE | | | | |
| G. EVANGELIST | | 12/3/71 | | | | |
| MATERIAL | | | SIZE | CODE IDENT NO. | DWG NO. | ISSUE |
| FINISH | | | C | 82679 | A 4909 | A |
| | | | SCALE | N/T | SHEET | OF |

| | | |
|-------------|---------------|-----------|
| 1 | TLAA 1K | BMA 460 |
| QTY / UNIT | MODEL USED ON | ASS'Y NO. |
| APPLICATION | | |
| CODE | | |

NOTICE TO PERSONS RECEIVING THIS DRAWING
THE TECHNICAL MATERIEL CORPORATION claims proprietary right in the material disclosed hereon. This drawing is issued in confidence for engineering information only and may not be reproduced or used to manufacture anything shown hereon without permission from **THE TECHNICAL MATERIEL CORPORATION** to the user. This drawing is loaned for mutual assistance and is subject to recall at any time.