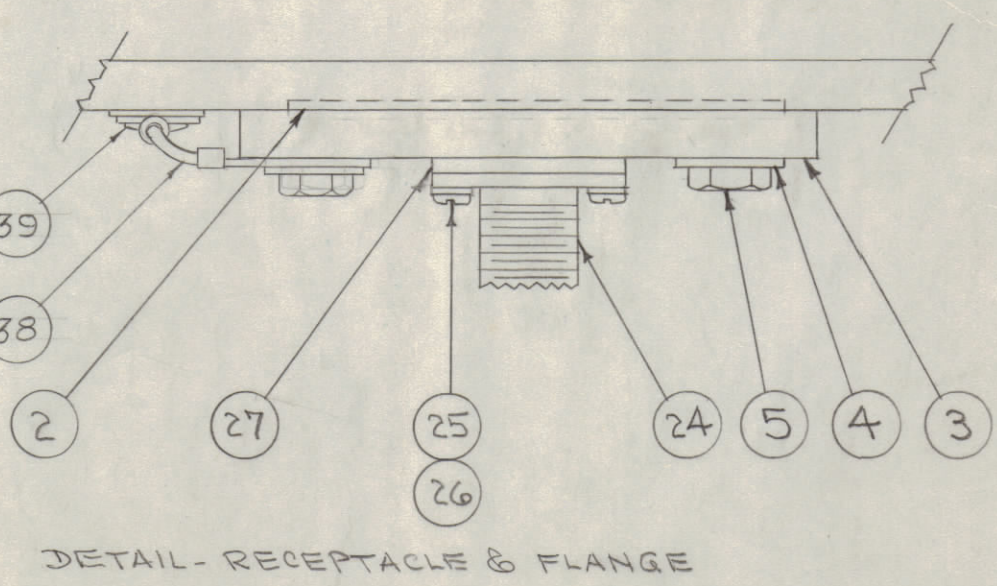
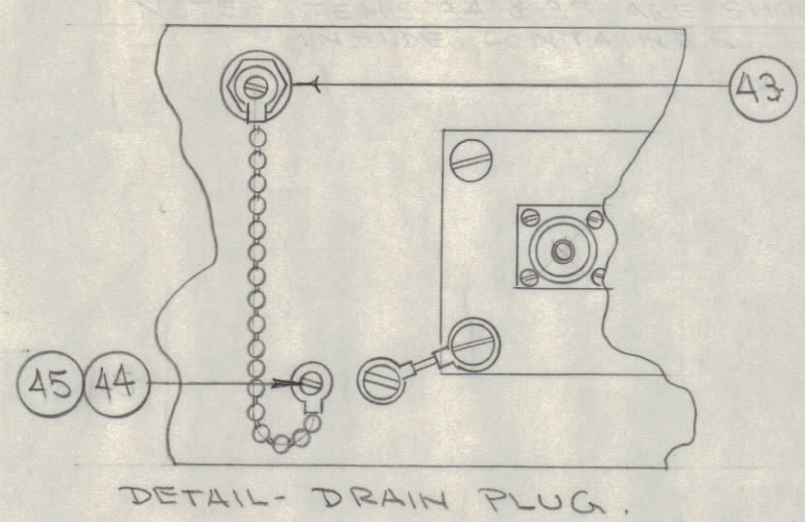
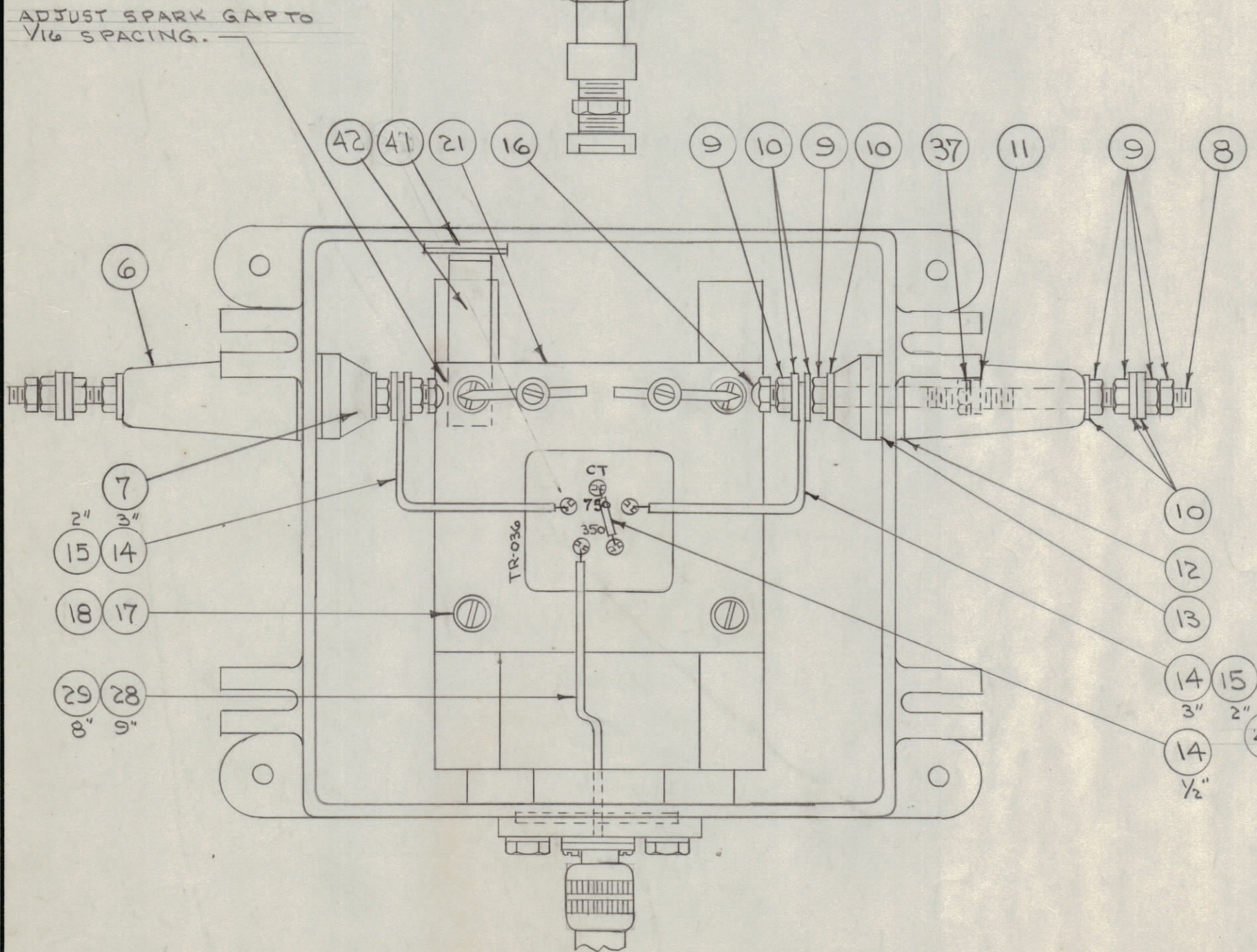
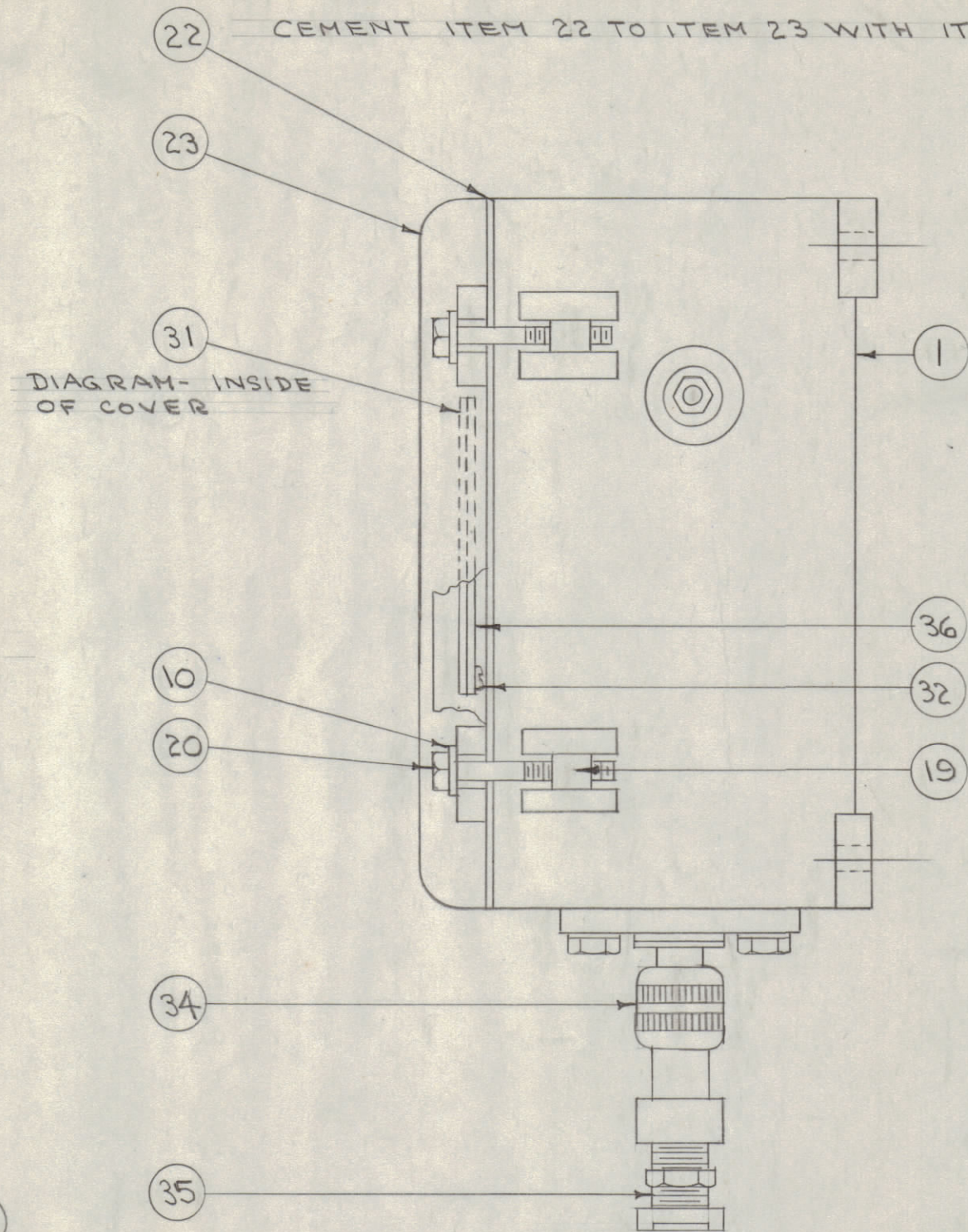
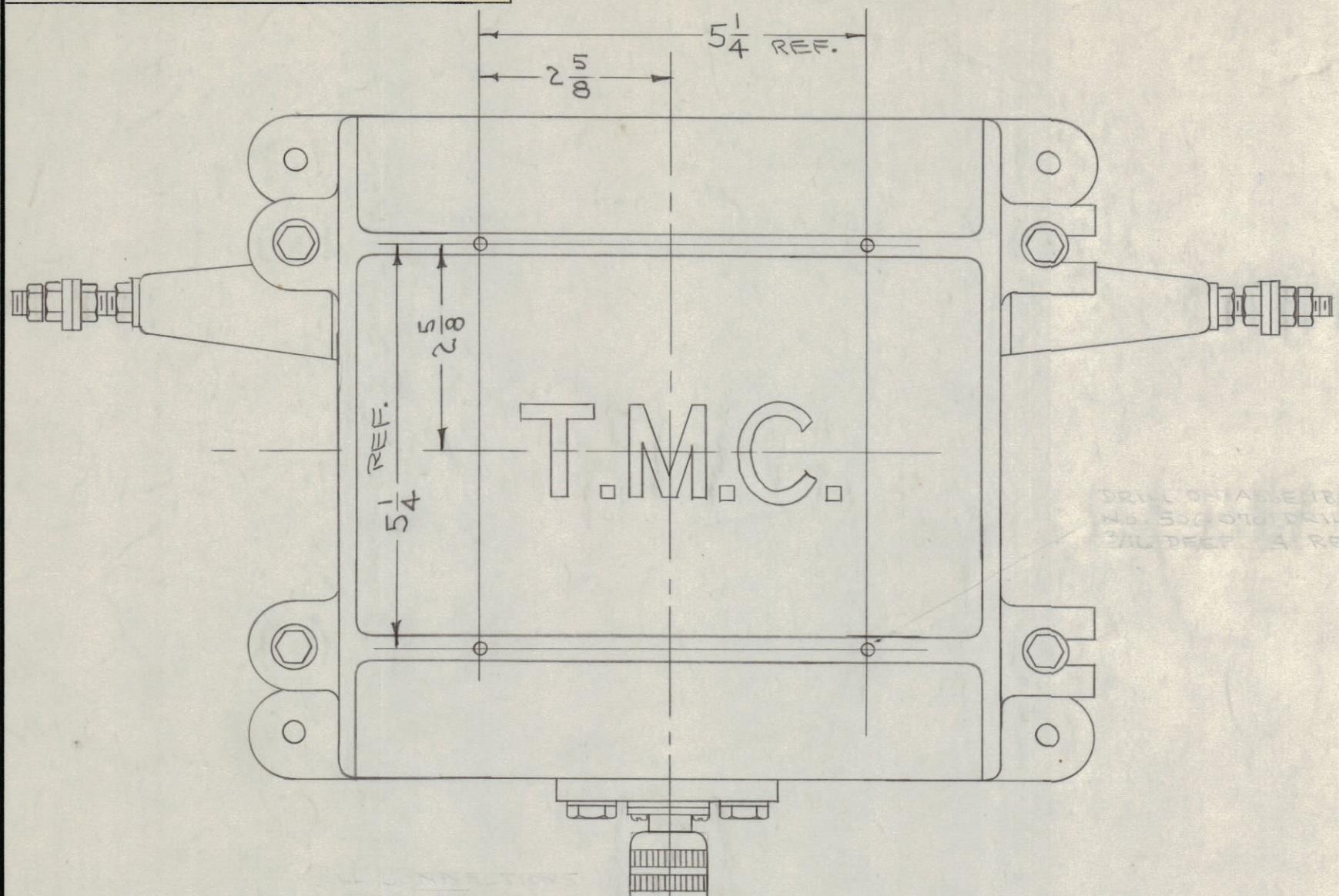


IF IT IS FOUND DESIRABLE TO CHANGE ANY TOLERANCE OR OTHER DETAIL SPECIFIED ON THIS DRAWING NOTIFY THE PURCHASER PROMPTLY.

MAXIMUM ALLOWABLE TOLERANCES HAVE BEEN DETERMINED AND DEVIATIONS WILL BE CAUSE FOR REJECTION. REMOVE ALL BURRS AND SHARP EDGES

NOTE: ITEMS 34 & 35 ARE SHIPPED INSIDE CASE.



1	45	SCBS0632BC3	SCREW, MACHINE
1	44	LWE06MRC	WASHER, LOCK
1	43	A-1291	DRAIN PLUG ASSY.
1	42	MS-933	HOLDER, DESSICANT
2	41	AD-101-1/6	DESSICANT
1	40	SCBS1032BC4	SCREW, MACHINE
1	39	LWS10MRC	LOCKWASHER
1	38	A-1164	GROUND STRAP, CASE
2	37	FW25LBC	WASHER, FLAT
1	36	PX-115	GUARD
1	35	MX564/U	CLAMP, ARMOR
1	34	UG-21B/U	PLUG
X	33	GL-101-2	CEMENT, PLOIBOND
4	32	SC-102-1	SCREW, THD. CUTTING
1	31	LD-160	SCHEMATIC DIAGRAM
X	30	BS-100	SOLDER, SOFT
8"	29	PX-104-1-.066	INSULATION, SLEEVING (BLK.)
9"	28	WL-100-4	WIRE, BUSS BAR
1	27	GA-149-4	GASKET
4	26	LWS04MSC	WASHER, LOCK
4	25	SCBS04A0SS5	SCREW, MACHINE
1	24	UG-58A/U	RECEPTACLE
1	23	PM-105	COVER
1	22	GA-103	GASKET, COVER

A-525 C

1	21	A-527	TRANSFORMER, SUB ASSY.
4	20	SC-108-9	BOLT, HEX
4	19	PM-100	PIN, COVER BOLT
4	18	LWE08MRC	WASHER, LOCK
4	17	SCBS0832BC6	SCREW, MACHINE
2	16	NTC2520BCL	NUT, CAP
4"	15	PX-104-1-.066	INSULATION, SLEEVING (BLK.)
6 1/2"	14	WL-100-4	WIRE, BUSS BAR
2	13	GA-101	GASKET
2	12	GA-100	"
2	11	GA-104	"
20	10	FW25MSS	WASHER, FLAT
12	9	NTH2520SS14	NUT, HEX
2	8	A-100	STUD, SUBASSY.
2	7	NS-101	INSULATOR, INSIDE
2	6	NS-100	" , OUTSIDE
4	5	SC-108-6	BOLT, HEX
4	4	LWS25MSS	WASHER, LOCK
1	3	PM-119	FLANGE
1	2	GA-102	GASKET
1	1	PM-106	CASE (ALTERNATE PM-109 W/10 ITEMS 2-3-4-5)

C	1	ITEM(27) WAS GA-111	9-12-62	7193	9.S.	W.D.	W.D.
B	1	ITEMS 1 THRU 45 ADDED	6/1/54	2	W.D.	W.D.	W.D.
A	1	ITEMS 38, 39, 40 ADDED	1-23-56	1	W.D.	W.D.	W.D.
1	1	REDRAWN - NO CHANGE	2/11/54	1	C.D.D.	W.D.	W.D.
ISSUE	ITEM	CHANGED FROM	DATE	CN. NO.	DRAFTS	CHECKER	ENG. APP.

TOLERANCES		SCALE:
ALL OTHERS	DEC. DIM. \pm FRAC. DIM. \pm $\frac{1}{64}$ ANGULAR DIM. \pm	DRILL, PUNCH, COMMERCIAL STOCK SIZES AND MANUFACTURERS TOLERANCES ARE NOT INCLUDED.

BAC-1-S-1.5	230	9-9-53	
MODEL	PROJECT NO.	ASS'Y. NO.	DATE
USED ON			

REQ. ITEM	PART NO.	DESCRIPTION	SYMBOL
THE TECHNICAL MATERIEL CORP. MAMARONECK, NEW YORK			
STOCK SIZE			
MATERIAL			
WEIGHT PER PC.			
TYPE & TEMPER			
HEAT TREAT. SPEC.			
FINISH & SPEC. NO.			
DRAWN		ELEC. DES. APP.	MECH. DES. APP.
CHECKED		FINAL APPROVAL	
		A-525 C	