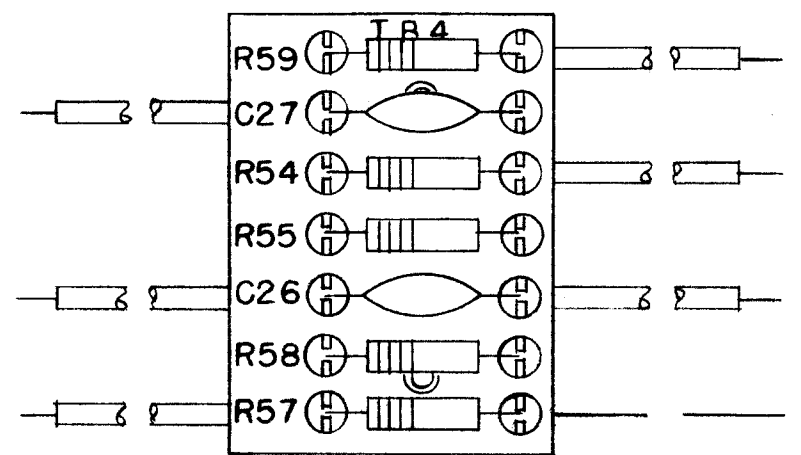
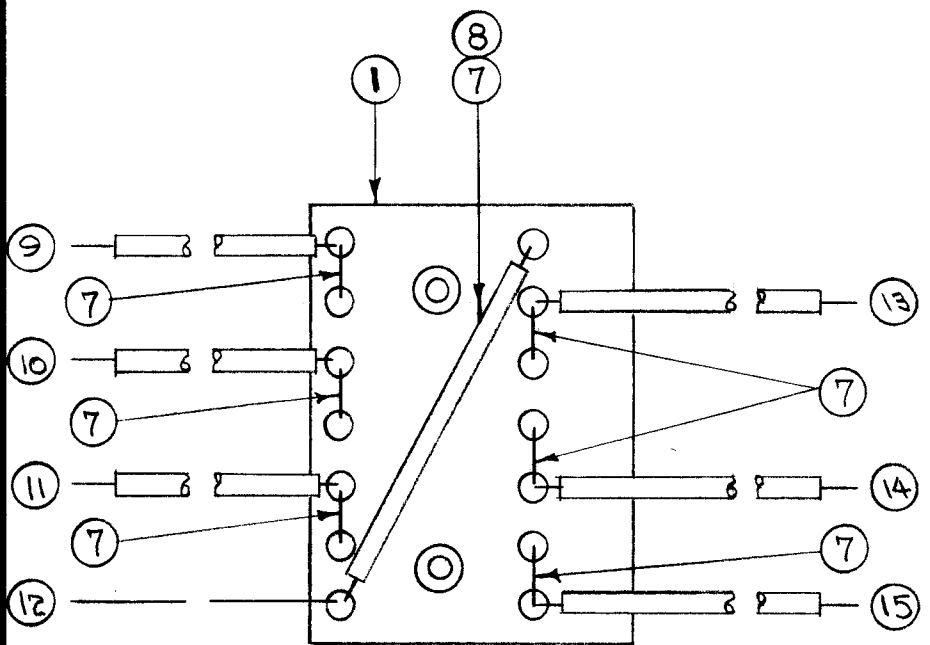


IF IT IS FOUND DESIRABLE TO CHANGE ANY TOLERANCE OR OTHER DETAIL SPECIFIED ON THIS DRAWING NOTIFY THE PURCHASER PROMPTLY.

MAXIMUM ALLOWABLE TOLERANCES HAVE BEEN DETERMINED AND DEVIATIONS WILL BE CAUSE FOR REJECTION. REMOVE ALL BURRS AND SHARP EDGES

A-558



X	16	BS-100	SOLDER, SOFT	
3 3/4"	15	SR1R3/5(7)22U55	CABLE, INSULATED (GRN.)	
3/4"	14	SR1R3/5(7)22U66	" " (BLUE)	
4 1/2"	13	SR1R3/5(7)22U96	" " (WH./BLUE)	
2	12	WL-100-8	WIRE, BUSS BAR 24GA.	
3 1/2"	11	SR1R3/5(7)22U99	CABLE, INSULATED (WH.)	
3"	10	SR1R3/5(7)22U22	" " (RED.)	
6 1/2"	9	SR1R3/5(7)22U95	" " (WH./GRN.)	
X	8	PX-100-1.022	INSULATION, SLEEVING (BLK.)	
X	7	WL-100-8	WIRE, BUSS BAR 24GA.	
	6		DELETED	
2	5	RC20GF105K	RESISTOR, FIXED	R59 R58
1	4	RC20GF123J	" " "	R57
2	3	RC20GF473K	" " "	R55 R54
2	2	CC-100-16	CAPACITOR, FIXED	C27 C26
1	1	A-557	TERM. BD. ASSY.	

REQ.	ITEM	PART NO.	DESCRIPTION	SYMBOL
#			<b>THE TECHNICAL MATERIEL CORP.</b> MAMARONECK. NEW YORK <b>COMPONENT ASSEMBLY</b> TERM. BD. NO. 4 RSC-1	
STOCK SIZE				
#		#		
MATERIAL		WEIGHT PER PC.		
#			C.D.D. 10-1-53	
TYPE & TEMPER			G.T.O	
#			DRAWN	
HEAT TREAT. SPEC.			ELEC. DES. APP. <i>WJ</i>	
#			MECH. DES. APP.	
FINISH & SPEC. NO.			G.T.O	
			CHECKED	
			FINAL APPROVAL	
			A-558	

ISSUE	ITEM	CHANGED FROM	DATE	CN. NO.	DRAFTS	CHECKER	ENG. APP.
TOLERANCES							
ALL OTHERS		DEC. DIM. ±	SCALE: #				
		FRAC. DIM. ±	DRILL, PUNCH, COMMERCIAL STOCK				
		ANGULAR DIM. ±	SIZES AND MANUFACTURERS				
			TOLERANCES ARE NOT INCLUDED.				

RSC-1	170		10-1-53
MODEL	PROJECT NO.	ASS'Y. NO.	DATE
USED ON			