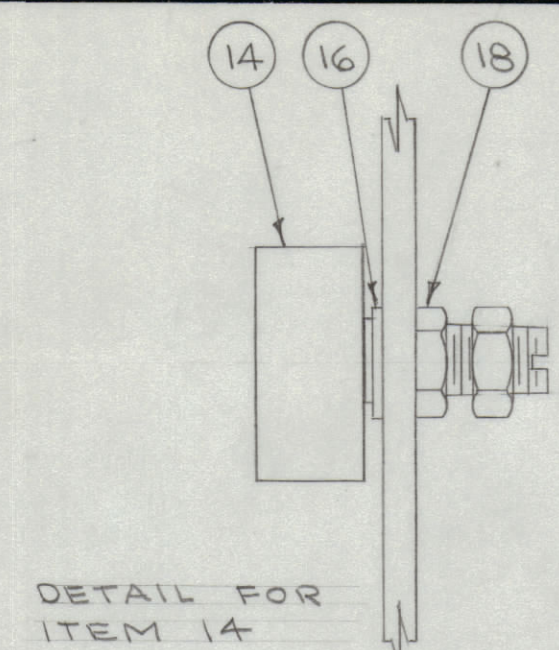
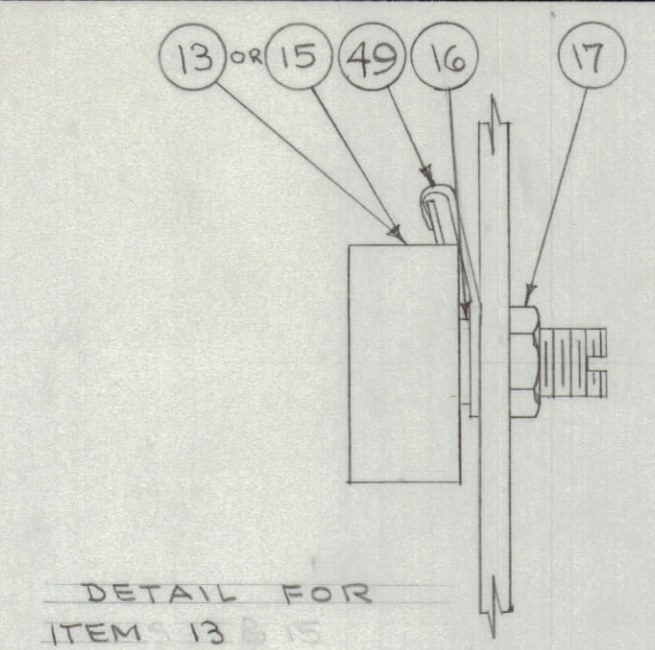
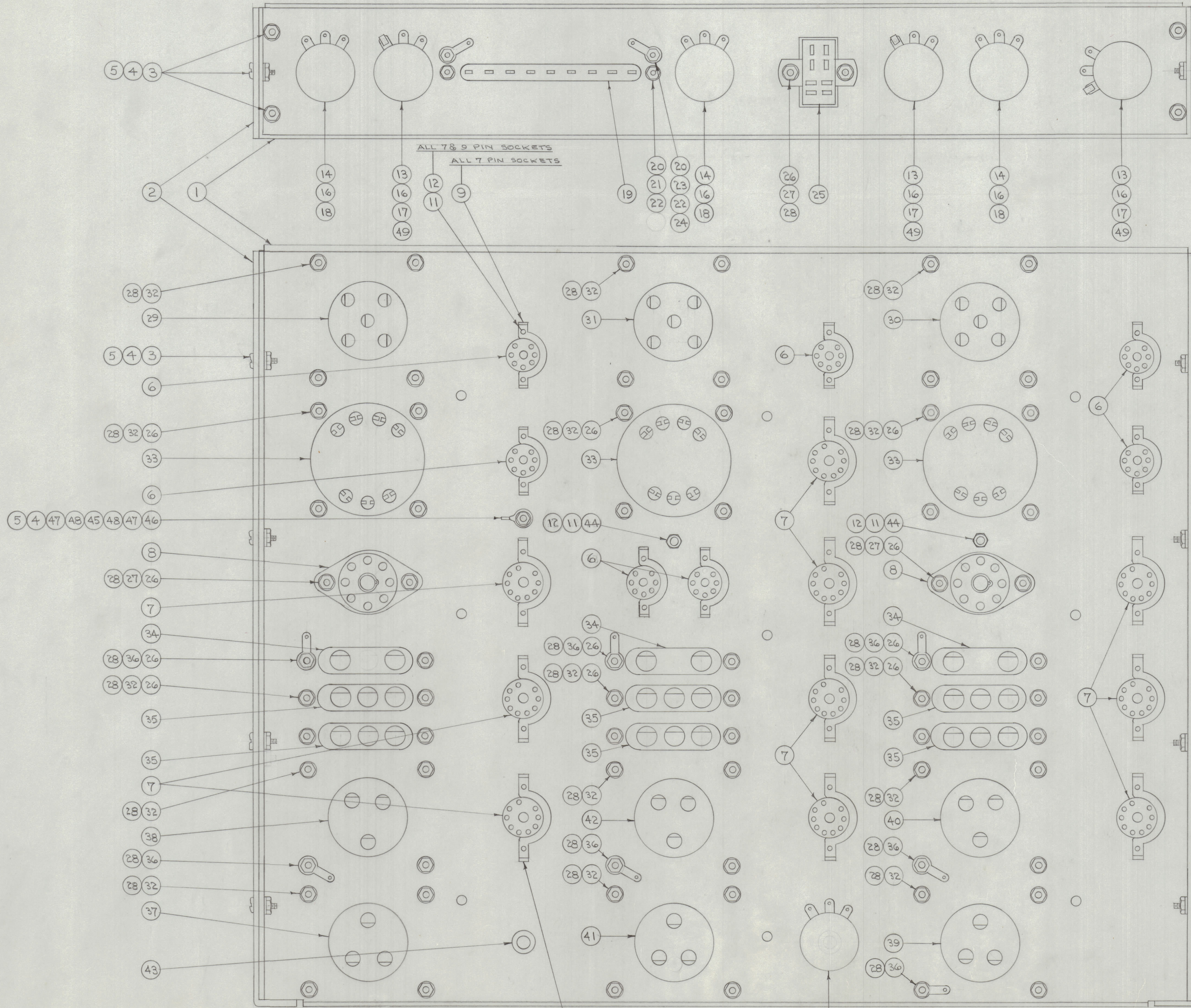


IF IT IS FOUND DESIRABLE TO CHANGE ANY TOLERANCE OR OTHER DETAIL SPECIFIED ON THIS DRAWING NOTIFY THE PURCHASER PROMPTLY.
 MAXIMUM ALLOWABLE TOLERANCES HAVE BEEN DETERMINED AND DEVIATIONS WILL BE CAUSE FOR REJECTION. REMOVE ALL BURRS AND SHARP EDGES.



3	49	TE-111-2	LUG, SOLDER	
2	48	WA-101-4	WASHER, FIBER	
2	47	FWOBMRC	WASHER, FLAT	
1	46	SCBS0832BC36	SCREW, MACHINE	
1	45	RW-109-31	RESISTOR, FIXED	R88
2	44	TE-102-2	TERMINAL, TURRET	
1	43	EY-102-2	GROMMET, ELASTIC	
1	42	FX- SEE NOTE 1	FILTER, BAND PASS	ZF6
1	41	FX-	"	ZF5
1	40	FX-	"	ZF4
1	39	FX-	"	ZF3
1	38	FX-	"	ZF2
1	37	FX-	"	ZF1
4	36	TE-104-2	TERMINAL, LOCKING	
6	35	CP69B4EF504K	CAPACITOR, FIXED	
3	34	CP69B1EF105K	"	C28, 29, 30
3	33	TF-129	TRANSFORMER, AUDIO	T1, 2

NOTES:
 1- REFER TO ML-A-504 FOR CORRECT FD- OR FX- NUMBER.
 2- SIDE PLATE LIPS HAVE BEEN OMITTED TO SHOW HARDWARE.

60	32	LWI06MRC	WASHER, LOCK	
1	31	FD- SEE NOTE 1	FILTER, DISCRIMINATOR	ZD3
1	30	FD-	"	ZD2
1	29	FD-	"	ZD1
72	28	NTH0632BC10	NUT, HEX	
6	27	LNS06MRC	WASHER, LOCK	
36	26	SCBS0632BC4	SCREW, MACHINE	
1	25	JJ-127-1	JACK, MALE	J1
2	24	MS-154	STRADDLE PLATE	
2	23	TE-104-1	TERMINAL, LOCKING	
4	22	NTH0440BC8	NUT, HEX	
2	21	LWI04MRC	WASHER, LOCK	
4	20	SCBS0440BC10	SCREW, MACHINE	
1	19	TM-100-9	TERMINAL STRIP	
3	18	PO-104	LOCK, SHAFT	
4	17	NTH3732BC16	NUT, HEX	
7	16	LWI37MRC	WASHER, LOCK	
1	15	RVAATS102B	RESISTOR, VARIABLE	R84
3	14	RVAATCS03B		R24, 50, 78
3	13	RVAATS404B		328, 52, 80
36	12	LNS04MRC	WASHER, LOCK	
36	11	SCBS0440BC4	SCREW, MACHINE	
10	10	NT-101-5	NUT, STRAP	
7	9	NT-101-4	NUT, STRAP	
2	8	TS-121	SOCKET, OCTAL	
10	7	TS-103-PO1	SOCKET, MIN. 9 PIN	
17	6	TS-102-PO1	SOCKET, MIN. 7 PIN	
15	5	NTH0832BC10	NUT, HEX	
15	4	LWI08MRC	WASHER, LOCK	
14	3	SCBS0832BC6	SCREW, MACHINE	
2	2	A-514	SIDE PLATES ASSY.	
1	1	A-515	MAIN CHASSIS ASSY.	

NOTICE TO PERSONS RECEIVING THIS DRAWING
 THE TECHNICAL MATERIEL CORPORATION claims proprietary right in the material disclosed hereon. This drawing is issued in confidence for engineering information only and may not be reproduced or used to manufacture anything shown hereon without permission from THE TECHNICAL MATERIEL CORPORATION to the user. This drawing is loaned for mutual assistance and is subject to recall at any time.
 Property of:
 THE TECHNICAL MATERIEL CORPORATION
 MAMARONECK, NEW YORK

ORIGINAL RELEASE	7/10/69	CW			
ISSUE	ITEM	CHANGED FROM	DATE	CN. NO.	DRAFTS
TOLERANCES					
SCALE:					
DRILL, PUNCH, COMMERCIAL STOCK SIZES AND MANUFACTURERS TOLERANCES ARE NOT INCLUDED.					

RSD-1	170	A-571	10-16-53
MODEL	PROJECT NO.	ASSY. NO.	DATE
USED ON			

REQ. ITEM	PART NO.	DESCRIPTION	SYMBOL
THE TECHNICAL MATERIEL CORP. MAMARONECK, NEW YORK.			
HARDWARE ASSY.			
MAIN CHASSIS RSD-1			
CDD 10-16-53			
DRAWN		ELEC. DES. APP.	MECH. DES. APP.
HEAT TREAT. SPEC.		CHECKED	FINAL APPROVAL
FINISH & SPEC. NO.			

A-569