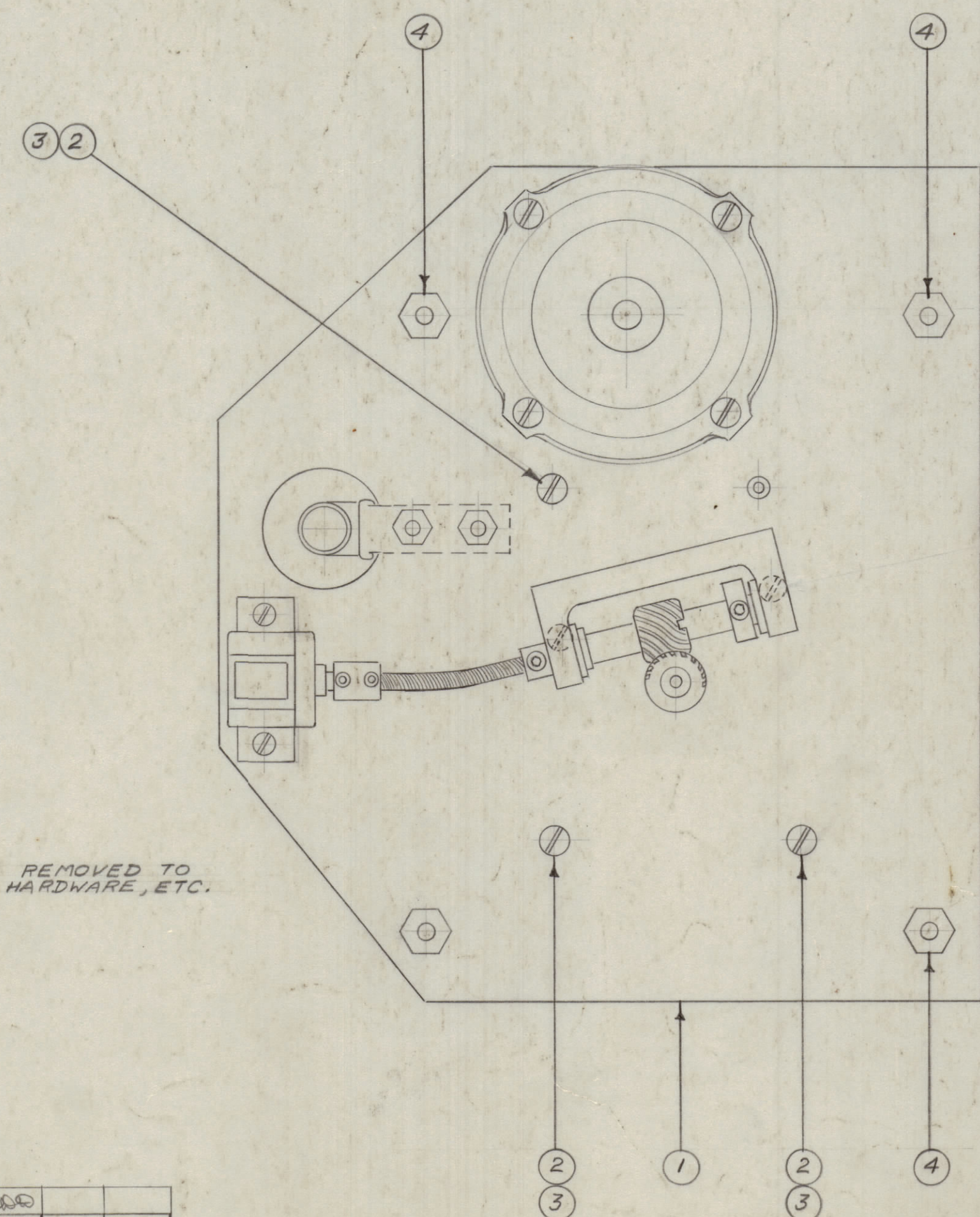
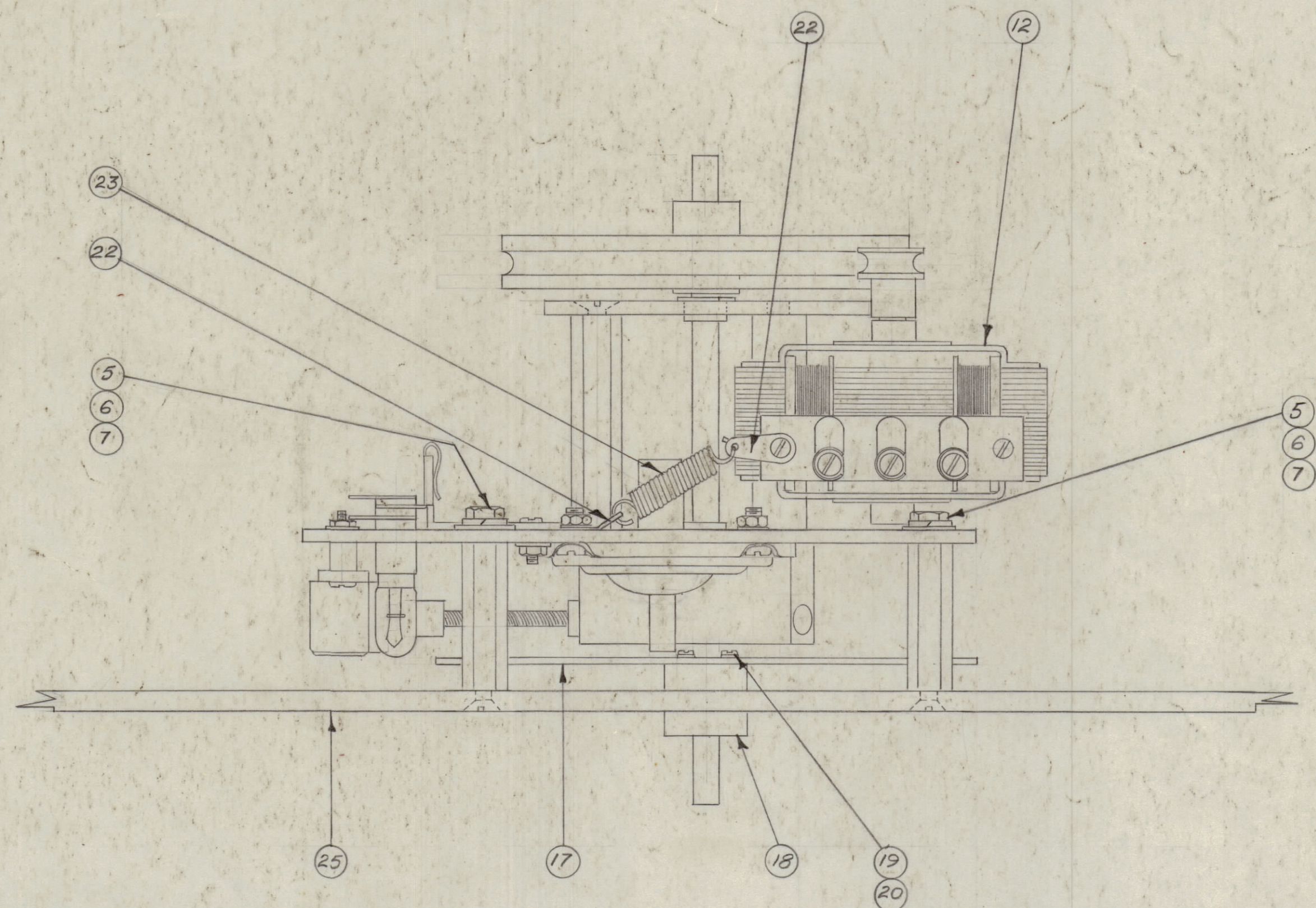
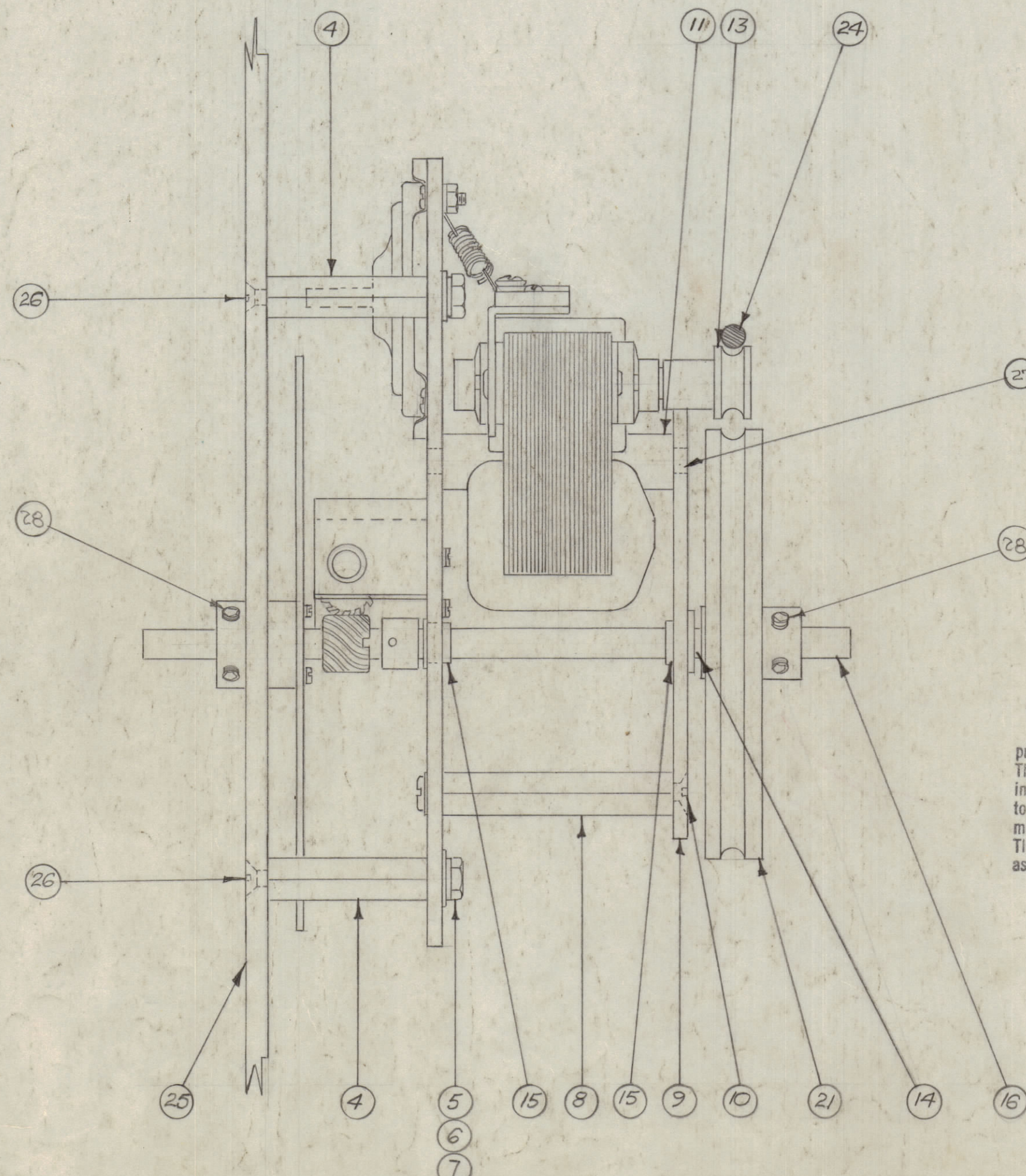


IF IT IS FOUND DESIRABLE TO CHANGE ANY TOLERANCE OR OTHER DETAIL SPECIFIED ON THIS DRAWING NOTIFY THE PURCHASER PROMPTLY.
 MAXIMUM ALLOWABLE TOLERANCES HAVE BEEN DETERMINED AND DEVIATIONS WILL BE CAUSE FOR REJECTION. REMOVE ALL BURRS AND SHARP EDGES



NOTE:
FRONT PANEL REMOVED TO SHOW HIDDEN HARDWARE, ETC.



NOTICE TO PERSONS RECEIVING THIS DRAWING
 THE TECHNICAL MATERIEL CORPORATION claims proprietary right in the material disclosed hereon. This drawing is issued in confidence for engineering information only and may not be reproduced or used to manufacture anything shown hereon without permission from THE TECHNICAL MATERIEL CORPORATION to the user. This drawing is loaned for actual assistance and is subject to recall at any time.
 Property of:
 THE TECHNICAL MATERIEL CORPORATION
 MAMARONECK, NEW YORK

4	28	ANS63A8H4	SCREWS, HEADLESS SET
1	27	SC-113	MOTOR STUD
4	26	SCFS1032BC8	SCREW, MACH.
1	25	A-631	FRONT PANEL ASS'Y.
1	24	RY-105	RING, "O" TYPE
1	23	SP-115	MOTOR SUPPORT SPRING
2	22	TE-104-2	TERMINAL, LOCKING
1	21	CS-115	FLYWHEEL
3	20	SCBS0440BC4	SCREW, MACH.
3	19	LWS04MRC	LOCKWASHER, SPLIT
1	18	PM-212	DIAL BUSHING
1	17	LD-147	DIAL
1	16	A-421	DIAL SHAFT, SUB-ASS'Y.
2	15	BB-108	OILITE BEARING
1	14	BB-106	THRUST BEARING
1	13	PM-194	MOTOR PULLEY
1	12	MO-100	MOTOR
2	11	PM-195	PIVOT STUDS
3	10	SCFS0832BC8	SCREW, MACH. (FLAT HD.)
1	9	MS-135	REAR MOTOR MOUNT
3	8	PM-193	MOTOR MOUNT SPACER
4	7	AN3C-4A	HEXAGON BOLT
4	6	LWS10MRC	LOCKWASHER, SPLIT
4	5	FW10MRC	FLAT WASHER
4	4	PM-214	MOTOR MOUNT ROD
3	3	SCBS0832BC8	SCREW, MACH.
3	2	LWE08MRC	LOCKWASHER, EXT.
1	1	A-424	FRONT MOTOR MOUNT SUB-ASS'Y.

REQ. ITEM	PART NO.	DESCRIPTION	SYMBOL
1	101	MOTOR DRIVE, SUB-ASS'Y.	
THE TECHNICAL MATERIEL CORP. MAMARONECK, NEW YORK			
STOCK SIZE			
MATERIAL WEIGHT PER FC.			
TYPE & TEMPER			
HEAT TREAT. SPEC.			
FINISH & SPEC. NO.			

1	101	A-426	11-9-53
REQ. PER UNIT	MODEL	PROJECT NO.	DATE
USED ON			

2	ITEMS 27&28 ADDED	1/2/54	1	DDO		
1	ITEM 25 WAS A-414	1/9/54	1	16		
ISSUE	ITEM	CHANGED FROM	DATE	CN. NO.	DRAFTS CHECKER	ENG. APP.
TOLERANCES						
SCALE: FULL						
ALL OTHERS	DEC. DIM. ±	FRAC. DIM. ±	ANGULAR DIM. ±	DRILL, PUNCH, COMMERCIAL STOCK SIZES AND MANUFACTURERS TOLERANCES ARE NOT INCLUDED.		

A-586 A