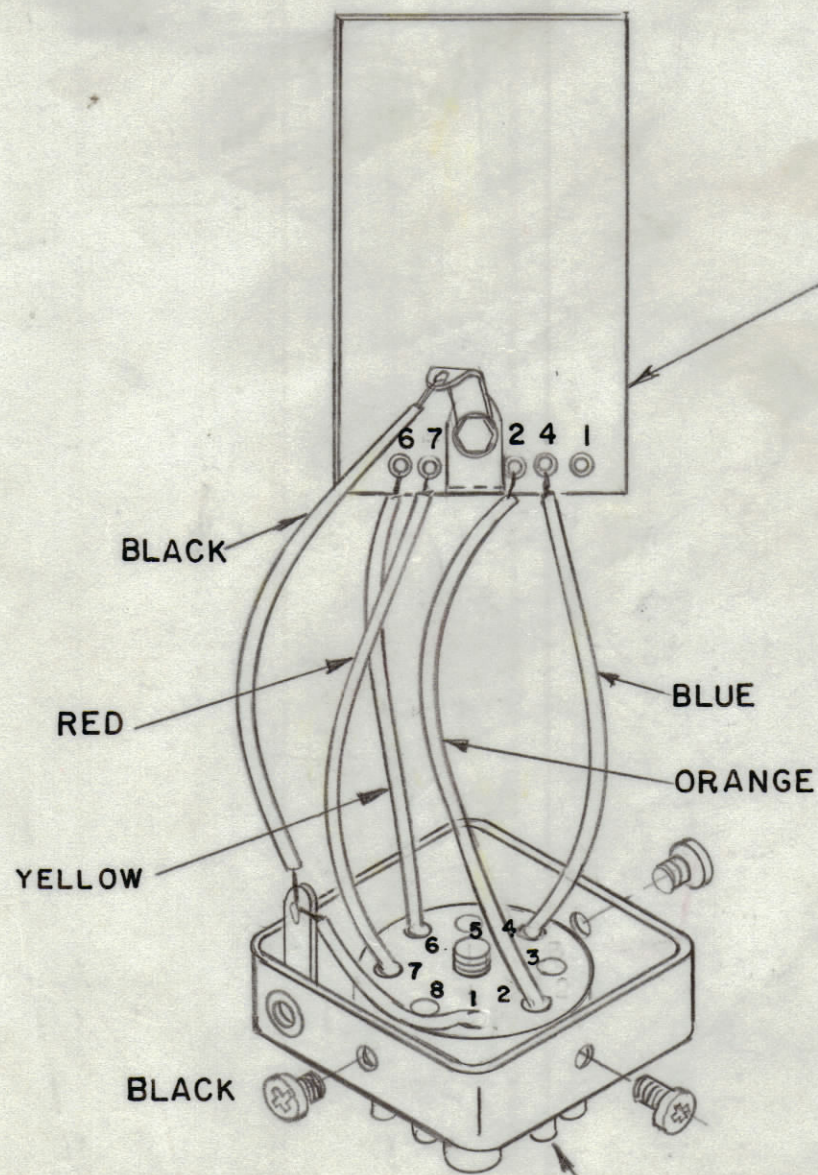
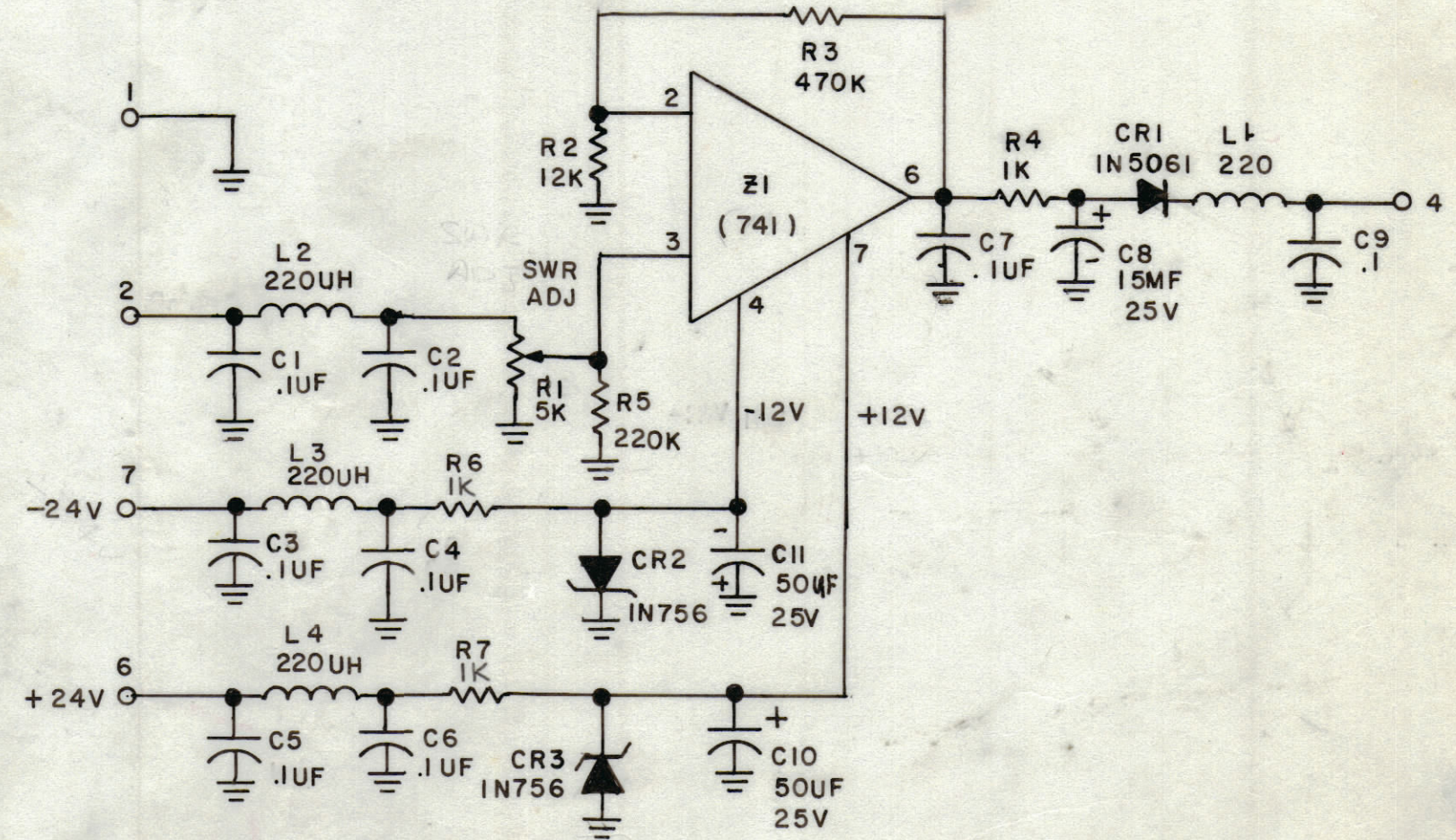
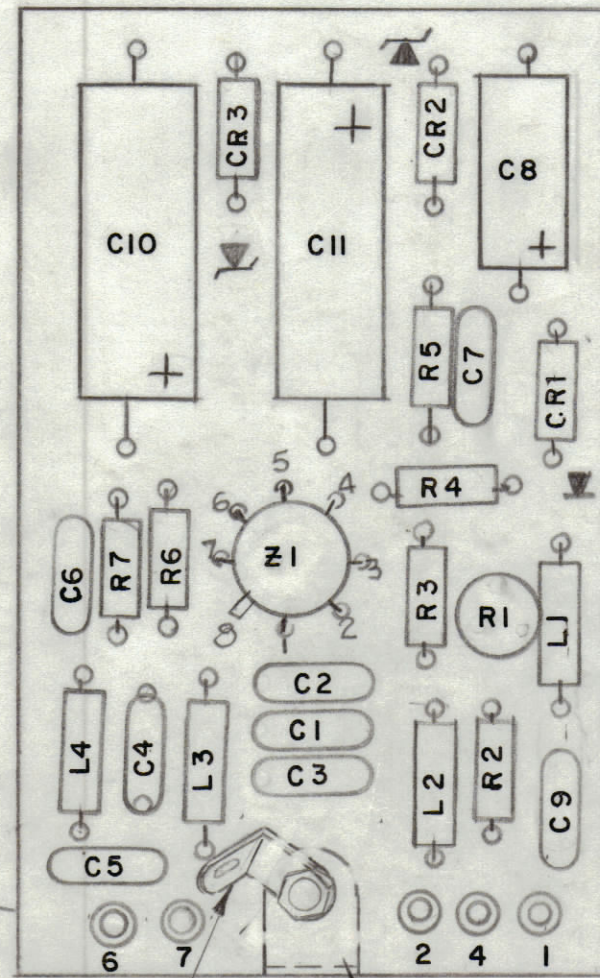
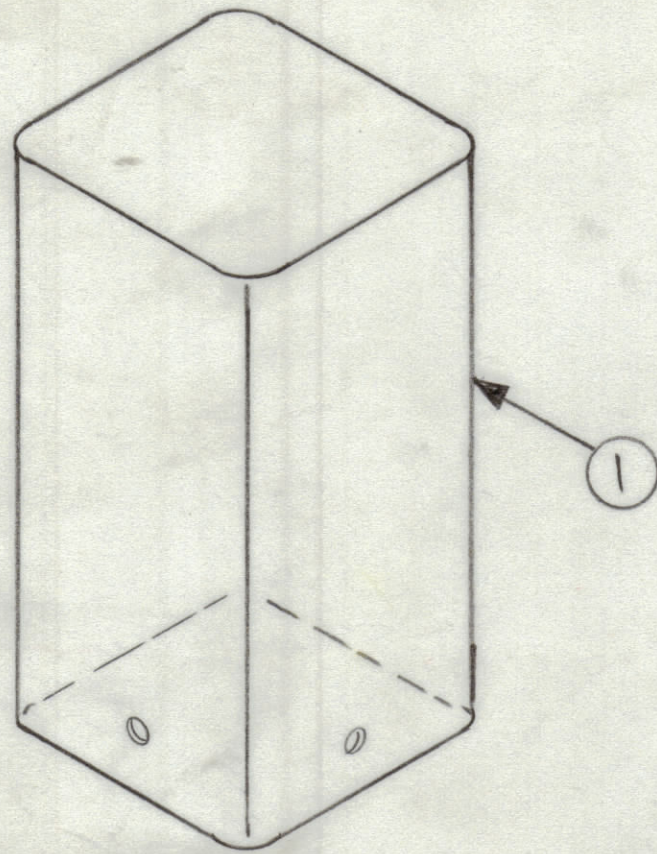


REVISIONS						
ZONE	LTR	DESCRIPTION	DATE	DRAFT	CHK'D	APPD
	Ø	ORIGINAL RELEASE EQR PRODUCTION	8-30-77	MAC		Ø



SOLDER LEADS IN PIN SOCKET
(400HZ)

QTY. REQ.	ITEM	PART NO.	DESCRIPTION	SYMBOL
X	6	BS 100	SOLDER, TIN ALLOY	
	5	TE110-5	LUG, SOLDER	
	4	TE 167	LUG	
	3	WI140 E24	WIRE ELECTRICAL	
	1	PC769	PRINTED CIRCUIT BD	
	1	PO 106-3-NT	PLUG IN SOCKET TURRET	

LIST OF MATERIAL

MFTA-10K/J	AX5245
METRIOKE	
BTC 10K	
NEXT ASSY	USED ON
APPLICATION	

INTERPRET DRAWING PER LISTED DOCUMENTS

DIMENSIONING
MIL - STD - 8
SURFACE ROUGHNESS
MIL - STD - 10
ABBREVIATIONS
MIL - STD - 12
ELECTRONIC SYMBOLS
MIL - STD - 15
WELDING SYMBOLS
JAN - STD - 19

UNLESS OTHERWISE SPECIFIED DIMENSIONS ARE IN INCHES AND INCLUDE CHEMICALLY APPLIED OR PLATED FINISHES REMOVE ALL BURRS AND SHARP EDGES

TOLERANCES ON

DECIMALS
.X ± .05
.XX ± .01
.XXX ± .005

FRACTIONS
± 1/64
ANGLES
± 0° -30'

MATERIAL

FINISH

FINAL APPROVAL	DATE
MECH. DES.	DATE
ELECT. DES.	DATE
CHECKED	DATE
DRAWN	DATE

THE TECHNICAL MATERIEL CORP.
MAMARONECK, NEW YORK

ASSY, METER AMPLIFIER
SWR TRIP CKT

SIZE	CODE IDENT. NO	DWG NO.	ISSUE
C	82679	A5705	Ø

SCALE - SHEET OF