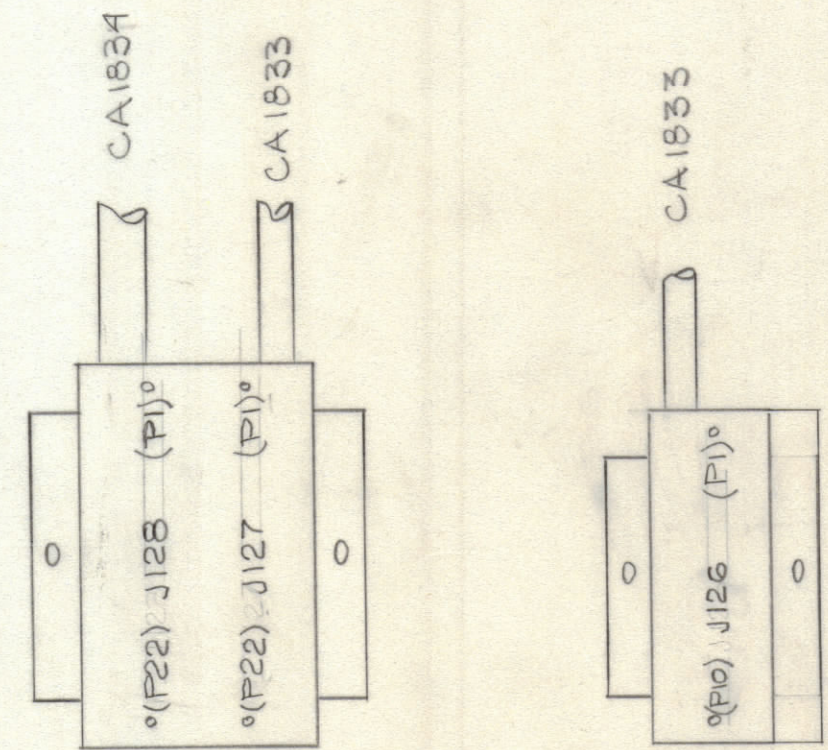
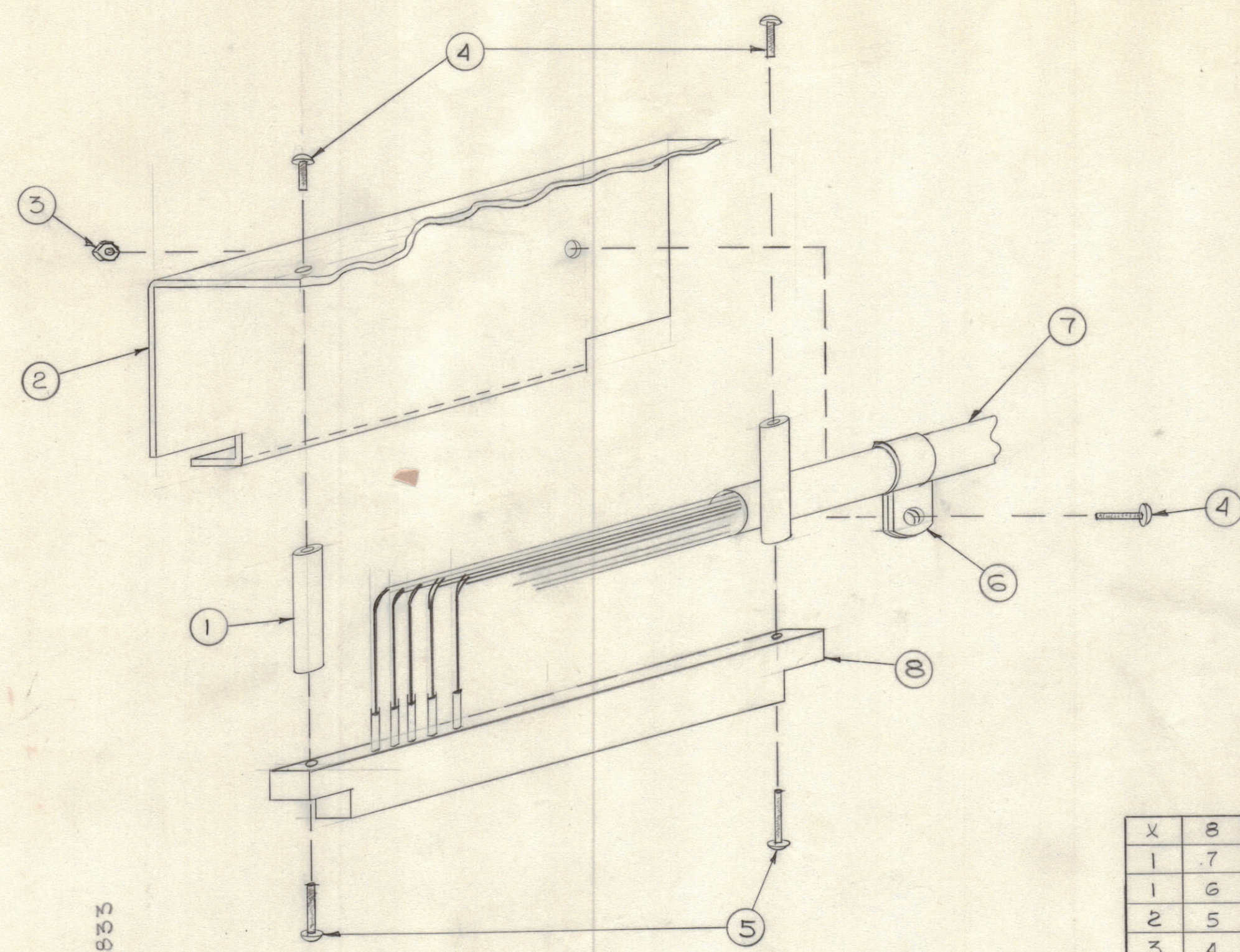


| REVISIONS |     |                                 |        |          |       |           |
|-----------|-----|---------------------------------|--------|----------|-------|-----------|
| ZONE      | LTR | DESCRIPTION                     | DATE   | E.M.N.NO | DRAFT | CHKD APPD |
|           | Ø   | ORIGINAL RELEASE FOR PRODUCTION | 6.5.78 | K        | PH    | WAB *     |



|   |   |                 |                       |
|---|---|-----------------|-----------------------|
| X | 8 | P/O ITEM 7      | PC PLUG               |
| 1 | 7 | CA1833          | CABLE                 |
| 1 | 6 | CU102-5N        | CABLE CLAMP           |
| 2 | 5 | SCBP0440BN8     | SCREW                 |
| 3 | 4 | SCBP0440BN6     | SCREW                 |
| 1 | 3 | NTH0440BN8      | NUT                   |
| 1 | 2 | MSG861          | HOLDER PLUG AND CABLE |
| 2 | 1 | TE040SN8TR      | THREADED STANDOFF     |
| X | 8 | P/O ITEM 7      | PC PLUG               |
| 1 | 7 | CA1833 & CA1834 | CABLE                 |
| 2 | 6 | CU102-5N        | CABLE CLAMP           |
| 4 | 5 | SCBP0440BN8     | SCREW                 |
| 6 | 4 | SCBP0440BN6     | SCREW                 |
| 2 | 3 | NTH0440BN8      | NUT                   |
| 1 | 2 | MSG860          | HOLDER PLUG AND CABLE |
| 4 | 1 | TE040SN8TR      | THREADED STANDOFF     |

| QTY. REQ. | ITEM | PART NO. | DESCRIPTION | SYMBOL |
|-----------|------|----------|-------------|--------|
|-----------|------|----------|-------------|--------|

LIST OF MATERIAL

|   |                              |                |
|---|------------------------------|----------------|
| UNLESS OTHERWISE SPECIFIED DIMENSIONS ARE IN INCHES AND INCLUDE CHEMICALLY APPLIED OR PLATED FINISHES | FINAL APPROVAL<br><i>CSB</i> | DATE<br>6/2/78 |
| TOLERANCES ON   | MECH. DES.                   | DATE           |
| DECIMALS  | ELECT. DES.                  | DATE           |
| .X ± .05  | CHECKED                      | DATE           |
| .XX ± .01   | DRAWN                        | DATE           |
| .XXX ± .005   |                              | 12-2-77        |

THE TECHNICAL MATERIEL CORP.  
MAMARONECK, NEW YORK

ASSEMBLY, PLUG & CABLE  
HOLDER

|             |               |           |
|-------------|---------------|-----------|
| 1           | CHGR          |           |
| 1           | MMXR-2B       |           |
| QTY / UNIT  | MODEL USED ON | ASS'Y NO. |
| APPLICATION |               |           |
|             | CODE          |           |

|          |  |      |                |         |       |
|----------|--|------|----------------|---------|-------|
| MATERIAL |  | SIZE | CODE IDENT.NO. | DWG NO. | ISSUE |
| FINISH   |  | C    | 82679          | A 5726  | Ø     |

|       |  |       |    |
|-------|--|-------|----|
| SCALE |  | SHEET | OF |
|       |  | 1     |    |

NOTICE TO PERSONS RECEIVING THIS DRAWING  
THE TECHNICAL MATERIEL CORPORATION claims proprietary right in the material disclosed hereon. This drawing is issued in confidence for engineering information only and may not be reproduced or used to manufacture anything shown hereon without permission from THE TECHNICAL MATERIEL CORPORATION to the user. This drawing is loaned for mutual assistance and is subject to recall at any time.